



1951TM

Cabinetry

Base Series

SPECIFICATION GUIDE | SPRING 2025

Introduction

Contact Information.....	2
Ordering.....	3
Delivery.....	4
Replacements.....	5
Warranty.....	6

Door Styles

Base Series Collections.....	8
Base Species & Finish Availability.....	9
Boerne.....	10

Standard Cabinet Specifications

Certification.....	12
Cabinet Specifications.....	13
Finishing Systems.....	14
Door Species & Characteristics.....	15
Wall Cabinet Construction.....	16
Base Cabinet Construction.....	17
Cabinet Dimensions.....	18
Hardware.....	21
Installed Height Guidelines.....	22
Ceiling Height Requirements.....	24
Overlay Dimensions.....	25

Construction Options

Legend & Upcharges.....	28
Reduced Depth Option.....	29
Increased Depth Option.....	30
Cabinet Front Only Option.....	30
Inverted Frame Option.....	30
Void Toe Kick Option.....	31
Recessed Toe Kick Option.....	31
Full Depth Shelf Option.....	32
Matching Interior Option.....	32
Void Door Option.....	33
Void Top Drawer Option.....	33
Specialty Door Options.....	34
Specialty Door Availability.....	34
Open Frame Door Profiles.....	35
Mullion Frame Door Profiles.....	35
Glass Inserts.....	36
Decorative Glass Clips.....	37

Wall Cabinets

Standard.....	40
With Spice Rack.....	42
Wall Top Hinge.....	42
Microwave.....	43
Blind.....	44
Corner.....	46
Wall End Angle.....	47
Specialty.....	47
Range Hoods.....	50
Accessories.....	56

Base Cabinets

One Door Base Cabinets.....	60
One Door Base With Sliding Shelves.....	60
One Door Base With Accessories.....	60
Two Door Base Cabinets.....	61
Two Door Base With Sliding Shelves.....	61
Two Door Two Top Drawer Base Cabinets.....	61
Two Door Two Top Drawer Base Cabinets With Sliding Shelves.....	62
Three Door Base Cabinets.....	62
Three Door Base with Sliding Shelves.....	63
One Door Full-Height Base Cabinets.....	63
One Door Full-Height Base Cabinets with Sliding Shelves.....	64
One Door Full-Height Base Cabinets with Accessories.....	64
Two Door Full-Height Base Cabinets.....	64
Two Door Full-Height Base Cabinets with Sliding Shelves.....	65
Drawer Base.....	65
Peninsula.....	66
Full-Height Peninsula Base.....	67
Blind Peninsula Corner Base.....	67
Corner.....	69
Sink/Cooktop.....	74
Sink Base With Sink Base Mat.....	75
Sink Base With Factory Installed Tilt-Out Tray(s).....	76
Sink/Cooktop Front.....	77
Specialty.....	78
Accessories.....	80

Desk Cabinets & Bookshelves

Desk Base Cabinets.....	86
Bookshelves.....	88
Accessories.....	89

Tall Cabinets

Utility Cabinets.....	91
Utility Cabinets with Adjustable Shelves.....	92
Utility Cabinets with Sliding Shelves.....	94
Oven Cabinets.....	95
Accessories.....	102

Vanity Cabinets

One Door Vanity Cabinets.....	106
Two Door Vanity Cabinets.....	106
Full-Height Vanity Cabinets.....	107
Vanity Drawer Base.....	107
Vanity Sink Base.....	108
Vanity Combo Sink Base.....	111
Vanity Sink Front.....	112
Specialty.....	113
Accessories.....	114
Vanity Linen Cabinets.....	115
Vanity Linen Accessories.....	116

Molding & Decorative Accents

Moldings.....	118
Molding Stacks.....	124
Valances.....	127
Corbels.....	129
Legs and Feet.....	131
Split Post and Block.....	134

Panels, Fillers & Installation Items

Panels.....	138
Decorative Island.....	142
Fillers.....	146
Base Toe Kick.....	149
Installation Items.....	149

Decorative Hardware

Decorative Hardware.....	153
--------------------------	-----

Parts Directories

Parts Directories.....	163
------------------------	-----

Index

Index.....	201
------------	-----

1951 Cabinetry Contact Information

Partner Team Phone:
626.236.7385

Email: info@11woodsandstone.com

Partner Team Hours of Operation
Monday – Friday 9:00 AM – 5:00 PM MST

1951 Cabinetry Website
www.1951cabinetry.com

Ordering

1951 Cabinetry® Service Policy

1951 Cabinetry stands behind a solid Service Policy that supports our goal to deliver a superior customer experience. 1951 Cabinetry is with you every step of the way, from easy 24/7 order placement to enhanced customer delivery and rapid resolution.

Order Placement Procedure

Online Ordering is available 24 hours a day, 7 days a week for order placement, quoting, and tracking. This can be accessed by logging in to <https://11woodsandstone.com>. To ensure accuracy and maintain delivery schedules, please include and double check the following information with every order.

- » Delivery address (P.O. Boxes not accepted)
 - » PO, job name, and contact information
 - » Contact information should include two phone numbers (home, cell, work, etc) and an email address
 - » Door style, wood species, and finish
 - » All quantities, product descriptions, and applicable options
 - » Any special delivery services or additional customer requests (if applicable)
 - » Designer name
- All orders received will be processed and an order confirmation sent via email within 1–2 business days of receipt of your order.
 - Upon receipt of the acknowledgement, 1951 strongly encourages that the order be proofed for accuracy.
 - Once an order is processed, it will normally ship from our assembly plants in 15 business days or less. Delivery will be based on the profile established for the specific market and distributor.
 - A final delivery confirmation will be sent via email approximately 10 days prior to delivery.
 - Orders can be modified until the final confirmation notice has been sent. Changes to an order that is in production may result in a delay in shipment. The status of all orders can be viewed through our Online Ordering system.

Delivery

Delivery Services

1951 ensures client satisfaction with tightly scheduled, pre-arranged deliveries.

Home and Store Delivery:

- Deliveries are made from 8:00 am to 5:00 pm, Monday through Friday, unless otherwise agreed upon when the appointment is scheduled.
- Deliveries are made to a dry, secure location on the ground level or 1 level up or down from the delivery truck.
- The delivery agent will use the contact information submitted with the order when scheduling.
- Approximately 10 days prior to delivery, an email confirmation will be sent to the email address submitted with the order, providing the first available delivery date.
- Shortly before or after the order leaves our facility, the carrier will call to schedule a delivery date.
- The day before the order delivers, the delivery agent will call to provide a 4 hour delivery window.
- Approximately 1 hour prior to delivery, the driver will call to provide an estimated delivery time.
- If there is evidence of damage to the packaging, the driver may unpack and inspect the cabinets.
- The Partner Team should be contacted immediately in the event of any problems, shortages or damages.
- Special delivery services may be offered on a requested basis. Please contact the Partner Team for additional information.

Replacement

Replacement Policy for Damaged, Defective, Mis-shipped, or Product Shortage

Replacement items needed as a result of mishandling by 1951 Cabinetry will be shipped on the first possible date based upon product and logistical availability. Contact the Partner Team for assistance.

- Replacement items will be furnished under the following conditions:
 - » Covered under 1951 Cabinetry Limited Lifetime Warranty
 - » Product is damaged during delivery and 1951 is notified within 60 days from delivery date
 - » Product is shorted during delivery and 1951 is notified within 30 days from delivery date
 - » Incorrect product is received due to 1951 error
- Replacement orders do not require a new purchase order. 1951 Cabinetry may request the return of the original part or inspection by a representative.
- Orders for replacement parts must include the original order confirmation number and a detailed description of the problem.
- Photos of the problem may be requested.

No Return Policy:

- 1951 Cabinetry product is built to order and ships directly to our customers without the use of distribution centers or finished goods inventory warehouses. As a result of this special order process we do not accept customer returns.
- 1951 does not take responsibility for incorrect measurements, dimensions, or mis-ordered product.
- 1951 strongly advises to check each order confirmation to verify all products, sizes, and options being ordered.

Warranty

1951 Cabinetry® Limited Lifetime Warranty

The manufacturer of 1951 Cabinetry warrants to the original residential or commercial purchaser that all 1951 Cabinetry, cabinets, and accessories, are free from defects in materials and workmanship for the following durations, subject to the limitations set forth below:

Original residential purchaser: An "original residential purchaser" is defined as any person who purchases the cabinetry for personal use in his or her private residence. The duration of this limited warranty begins at the date of delivery to the residence and extends until such time as that residential purchaser no longer resides at the residence. "Residential purchaser" extends to any person who owns and resides in the residence where the cabinetry is installed, for whom the cabinetry is purchased by a contractor, remodeler or other person/entity, except in commercial applications defined below.

Original commercial purchaser: An "original commercial purchaser" is any person or entity, including but not limited to landlords, leasing companies, contractors, remodelers, and private or public businesses, who purchases the cabinetry for installation and use in any location that will be leased or used as a rental unit, or used for any other commercial or industrial application. The duration of this limited warranty is five years from the date of the product delivery to the location.

Proof of purchase is required. This limited warranty is expressly limited to repair or replacement of the cabinetry at the discretion of the manufacturer. This limited warranty does not include labor costs for removal, repairs, installation, or replacement.

This limited warranty does not cover defects, damage, or failure caused by improper handling, cleaning, installation, storage, assembly or disassembly, intentional damage, unauthorized product modifications and repairs, exposure to the elements including extreme humidity, moisture, or temperatures which may result in warping, splitting, or finish failure, accidental misuse, abuse, or negligence. Humidity levels in the home with cabinetry outside the range of 30-50% and temperature levels outside the range of 50-85°F are considered extreme.

Natural woods may vary in texture, color, and wood grain, and exhibit subtle changes as they age. For example, wood joints may develop visible cracking around the joint area and cabinet colors may darken or lighten over time.

Sunlight, smoke, moisture, household cleaners and other environmental conditions may cause materials to vary from their original color and/or to warp, split or crack. These variations are considered to be the nature of the material in relation to its environmental exposure and are not covered under this limited warranty.

THE MANUFACTURER OF 1951 CABINETRY MAKES NO OTHER WARRANTIES OTHER THAN THOSE SET FORTH HEREIN AND ALL OTHER WARRANTIES ARE HEREBY DISCLAIMED.

THE IMPLIED WARRANTIES OF MERCHANTABILITY AND FITNESS FOR A PARTICULAR PURPOSE ARE LIMITED IN DURATION TO THE LENGTH OF THE LIMITED WARRANTY PERIOD.

THE LIMITED WARRANTIES SET FORTH HEREIN ARE LIMITED TO THE FIRST AND ORIGINAL BUYER AND ARE NOT TRANSFERABLE THEREAFTER. PROOF OF PURCHASE IS REQUIRED TO DETERMINE ELIGIBILITY.

EXCEPT AS PROVIDED IN THIS LIMITED WARRANTY AND TO THE MAXIMUM EXTENT PERMITTED BY LAW, THE MANUFACTURER OF 1951 CABINETRY SHALL NOT BE LIABLE FOR INCIDENTAL, DIRECT, INDIRECT, CONSEQUENTIAL, OR SPECIAL DAMAGES TO THE PURCHASER OR TO ANY THIRD PARTY RESULTING FROM ANY BREACH OF WARRANTY OR CONDITION, OR UNDER ANY OTHER LEGAL THEORY, INCLUDING BUT NOT LIMITED TO: LOSS OF USE, LOST PROFITS, LOSS OF BUSINESS OPPORTUNITY, LOSS OF PROPERTY, OR OTHER ECONOMIC LOSSES. THE FOREGOING LIMITATION SHALL NOT APPLY TO PERSONAL INJURY CLAIMS OR ANY STATUTORY LIABILITY FOR INTENTIONAL AND GROSS NEGLIGENT ACTS AND/OR OMISSIONS.

Additional Exclusions, Limitations and Disclaimers

This limited warranty limits the coverage period for the following components that were not manufactured by American Woodmark:

Range hood blowers and components – one year from the date of delivery

SOME STATES DO NOT ALLOW THE EXCLUSION OR LIMITATION OF INCIDENTAL OR CONSEQUENTIAL DAMAGES, OR LIMITATIONS ON HOW LONG AN IMPLIED WARRANTY LASTS, SO THE ABOVE LIMITATIONS AND EXCLUSIONS MAY NOT APPLY TO YOU.

THIS WARRANTY GIVES YOU SPECIFIC LEGAL RIGHTS, AND YOU MAY ALSO HAVE OTHER RIGHTS, WHICH VARY FROM STATE TO STATE.

Claims

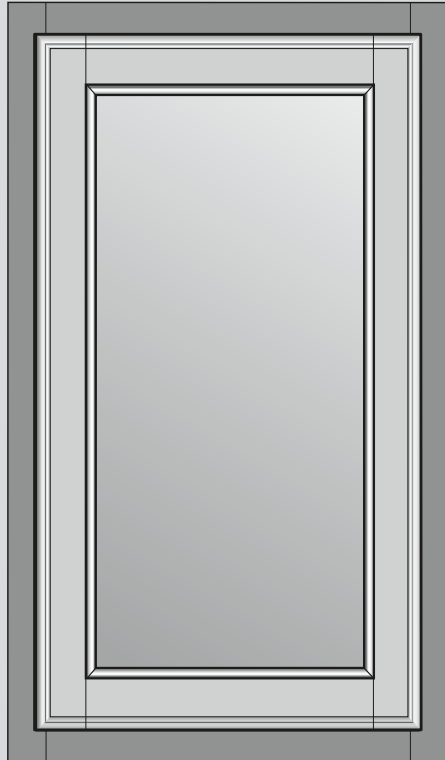
All claims under this limited warranty must be submitted to the manufacturer and must specify the defects present in the cabinets and accessories. Photos or samples of the product may be required to determine coverage.

After the manufacturer has had an opportunity to inspect the cabinets and/or accessories, it will, at its discretion, ship at no cost to the customer, replacement cabinets and/or parts necessary for repair. Products may require chemical or function testing to determine resolution of a warranty claim. Replacement products are subject to availability and may differ from those originally supplied.

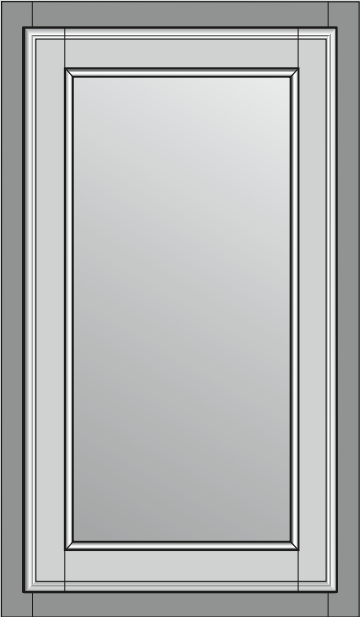
Continuous Improvement

In keeping with our policy of continuous product refinement, 1951 Cabinetry reserves the right to change specifications in design and materials as conditions require.

DOOR STYLE COLLECTIONS



Boerne



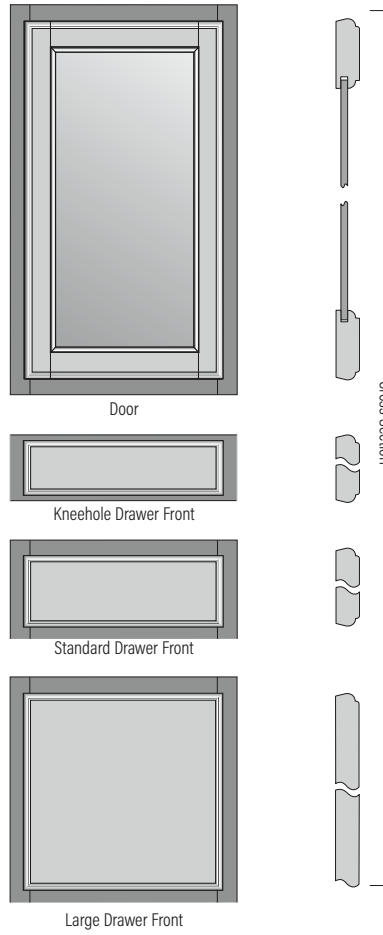
PAGE 10

Base Series Availability

SPECIES/FINISH AVAILABILITY BY COLLECTION

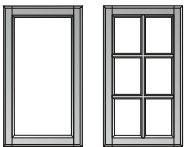
	Boerne
Finish: Rye	■
Truffle	■

Boerne



Door Style Details

Door Description:	Recessed Panel
Door Rail & Stile Width:	1 7/8"
Drawer Description:	Routed Slab
Overlay	Partial Overlay (POL)
Tall Door Details:	Center Rail on 50" High Doors ■
Decorative Hardware:	Recommended



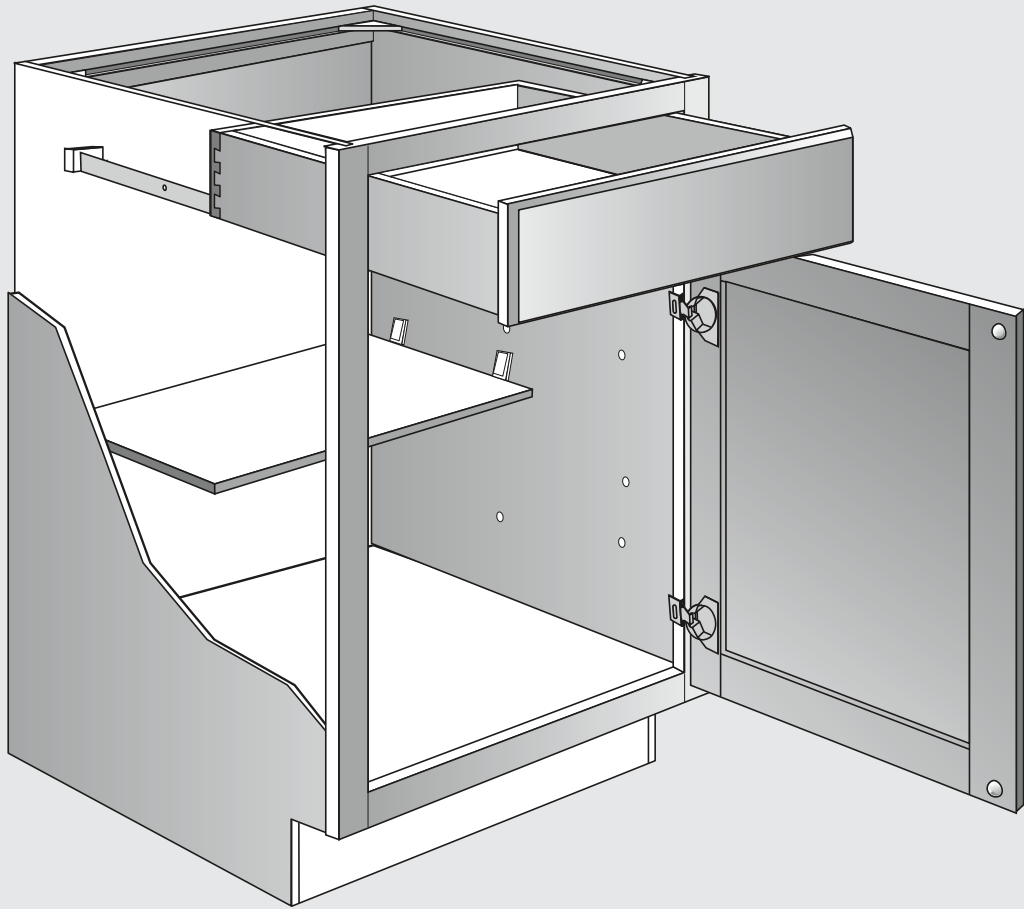
OFD

MFD

Available Finishes

FINISH	BOERNE
Rye	P5T
Truffle	P5B

STANDARD CABINET SPECIFICATIONS



KCMA Certified

All cabinetry manufactured by 1951 Cabinetry is certified by the Kitchen Cabinet Manufacturers Association (KCMA).

KCMA sets the American National Standards Institute/ KCMA 161.1- 2000 uniform performance and construction standards for kitchen and vanity cabinets. The program is referenced by U.S. government agencies, architects, builders, remodelers, and other specifiers.

Cabinets that bear the KCMA seal of certification are recognized as a quality product with the ability to perform after a rigorous battery of tests, simulating years of typical household use. Tests are performed by approved third-party independent laboratories.

1951 Cabinetry is proud to display the KCMA seal of certification for cabinet construction.



Environmentally Responsible Stewardship

As a leading U.S. manufacturer of fine cabinetry, 1951 Cabinetry, a division of American Woodmark Corporation, is committed to conducting business in a manner that both protects the environment and safeguards public health and safety. To achieve this end, the company proactively identifies potential environmental risks and monitors compliance with appropriate federal, state, local, and internal standards.

1951 Cabinetry has received certification by the Kitchen Cabinet Manufacturers Association (KCMA) Environmental Stewardship Program on all products. The certification was awarded based on compliance across a broad range of activity including air quality, product resource management, process resource management, environmental stewardship, and community relations.

1951 Cabinetry works with all suppliers to encourage sustainable forestry practices. Particle board and plywood are purchased from suppliers that meet the Composite Panel Association requirements for Environmentally Preferable Products including formaldehyde emissions that comply with ANSI standards.

1951 Cabinetry uses leading edge technologies to limit both hazardous and non-hazardous emissions, byproducts, and waste. Ongoing, formal programs identify opportunities for recycling and reusing materials. When waste ultimately requires disposal, steps are taken to minimize the environmental impact.

The American Woodmark Foundation supports local programs serving the community, including activities focused on maintaining the quality of life.

1951 Cabinetry is dedicated to doing our part in the preservation and sustainability of the environment.



KITCHEN CABINET MANUFACTURERS ASSOCIATION
ENVIRONMENTAL STEWARDSHIP PROGRAM (ESPP)
ALL PRODUCTS SUPPORT THE ENVIRONMENT
FOR ESPP PROGRAM CERTIFICATION VISIT KCMA.ORG

Continuous Improvement

In keeping with our policy of continuous product refinement, 1951 Cabinetry reserves the right to change specifications in design and materials as conditions require.

Standard Cabinet Specifications

Cabinet Front Face Frames

Cabinet front face frames are made from $\frac{3}{4}$ " x $1\frac{5}{8}$ " kiln-dried solid wood and/or engineered materials to prevent warping and provide superior strength, durability and finished appearance. Face frame joints are precision fixtured, pressure fitted and mechanically fastened.

Cabinet Side Panels

Cabinet side panels are $\frac{1}{2}$ " thick engineered wood. The exterior sides match cabinet finish and interior sides are finished with a natural woodgrain look. They are captured into a grooved front face frame and secured using high-strength fasteners and glue.

Cabinet Tops, Bottoms, and Floors

Tops, bottoms, and floors are $\frac{1}{2}$ " thick engineered wood. The exterior and interiors are finished with a natural woodgrain look. They are fitted and glued into the cabinet front face frame grooves, then captured in the grooves of the cabinet side panels.

Cabinet Back

The cabinet back is made from $\frac{1}{8}$ " thick hardboard substrate. The inside cabinet surface is finished with a natural woodgrain look.

Hanging Rails

The base and vanity top hanging rail is $\frac{3}{4}$ " thick solid wood, mortise and tenon joined, and glued to the cabinet side panels. The wall cabinet hanging rails are $\frac{1}{2}$ " thick engineered wood, glued and pinned into the cabinet back, cabinet side panels and top/bottom.

Cabinet Shelves

All cabinet shelves are $\frac{3}{4}$ " thick engineered wood. The shelves are finished with a natural woodgrain look and are edge banded on one side. Wall (excluding 24" deep) and Desk cabinets feature full-depth shelves. Base and 24" Deep Wall cabinet feature half-depth shelves. All shelves are adjustable and meet KCMA load standards of 15 pounds per square foot. Full-Depth Shelf Option is available for Base cabinets.

Corner Blocks

Corner blocks are attached to help ensure cabinet squareness and allow for proper countertop installation.

Drawer Systems

Engineered wood drawers with printed MDF bottoms and side-mounted drawer glides. All drawers meet KCMA load standards of 15 pounds per square foot.

Sliding Shelves

Sliding shelves feature printed MDF bottoms and side-mounted drawer glides. All drawers meet KCMA load standards of 15 pounds per square foot.

Hinges

Fully concealed, self-closing hidden hinges are standard for all door styles.

Inset Toe Kick

Inset toe kicks are constructed of $\frac{1}{2}$ " thick unfinished engineered wood. Standard toe kick dimensions are 4" high and recessed $3\frac{1}{2}$ ".

BTK8 (matching toe kick) required for installation.

Finishing Systems and Cabinet Care

Finishing Systems

The finishing systems used on our products are designed to ensure the beauty and durability of our cabinetry. State-of-the-art equipment allows precise sanding, filling, and finish coverage of each of our products. Our products are extremely resistant to stains and surface damage that can be caused by common household chemicals. Our products exceed KCMA and ANSI standards for resistance to stains like coffee, grape juice, and moisture.

Cabinet Care

Remove dust from cabinets frequently with a soft lint-free cloth. The cloth may be slightly dampened with water. Do not use a paste wax type material. Wax build-up is difficult to remove and will leave a residue that attracts dust and moisture. Polishes containing silicon should not be used. Clean spills immediately. Use a clean cloth and mild soap if necessary. Wipe dry with a clean soft cloth. Do not use detergents, citrus cleaners or ammonia-based cleaners, chlorine-based cleaners, steel wool, soap pads, or abrasive cleaners on cabinets.

Extra care should be taken that cabinet finishes are not exposed to heat in excess of 200° Fahrenheit. Do not place or mount small appliances beneath wall cabinets. These appliances (such as coffee makers and toasters) can produce excessive heat, which can damage the finish of cabinets. Do not expose doors or drawer fronts to heat created from self-cleaning ovens or ranges. For more cabinet care information, please visit www.1951cabinetry.com/about/resource-center.

Allow Cabinets To Age Beautifully

Our cabinets showcase the careful selection of natural and engineered materials to achieve the best possible look. While every effort is made to match wood grain as closely as possible, no two pieces of wood are exactly alike, even from the same tree. These differences in natural color and grain mean that each piece will respond differently to the finishing materials used. For example, close-grained woods absorb less and will vary in color from more open-grained pieces from the very same tree. It's these variations that contribute to the beauty and distinction of quality wood products. However, exposure to sunlight, smoke, and chemicals may cause some materials to fade or vary from their original color over time.

Cabinets, doors, drawer fronts, and accessories added at a later date may not exactly match cabinets installed now. For the same reasons, door samples or displays may not represent the exact color of cabinets received at the time of shipment. Consumers should also read all cleaning agent instructions carefully before application.

Due to changes that occur from natural and environmental factors a cabinet is exposed to over its lifetime, we cannot be responsible for variations that occur in the finish of natural and engineered materials as they age.

Door Species & Characteristics

1951 Cabinetry incorporates solid hardwoods and hardwood veneers. These are natural materials with inherent variations. As such, our quality standards establish tolerance ranges for matching the hardwood pieces. Consumers should review actual samples in our selection centers and cabinet displays to help them establish realistic expectations of variations involving wood grain, color tones, presence of knots, and so forth.

These variations are at the heart of the unique natural beauty of finished hardwood. In addition, exposure of wood products to sunlight, some chemical agents, and smoke can cause wood colors to change over time.

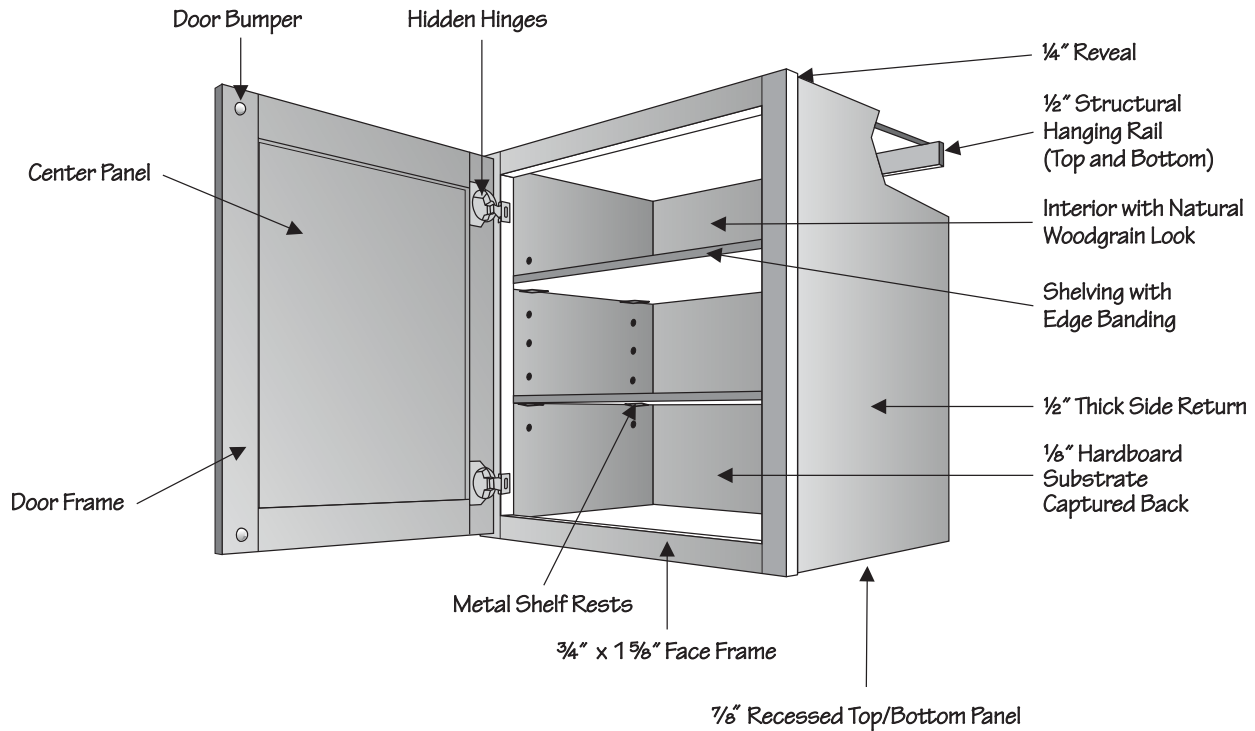
Hardwoods

Hardwoods have a dense structure and come from broad leaved deciduous trees such as maple, oak, birch, cherry, hickory, poplar, or ash species. We use a combination of these to achieve a great looking and highly durable product. Natural features include:

- Light blonde to dark reddish brown tones
- Small black and reddish brown mineral streaks or deposits that darken with stain
- Wavy, curly bird's-eye, or burl graining as well as worm tracking across the grain that will darken when stained
- Variations within a single door

Wall Cabinet Construction

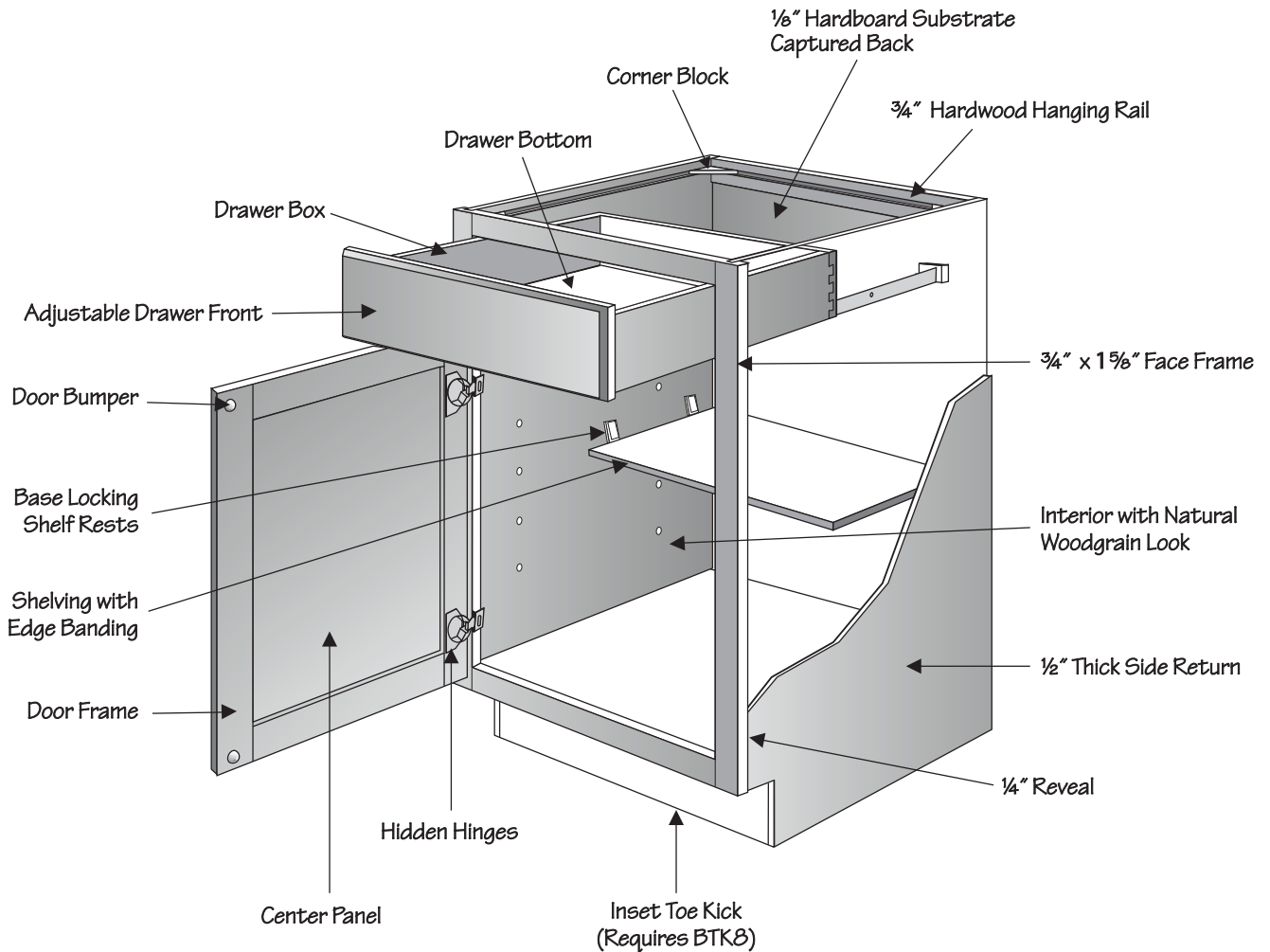
The drawing below illustrates and identifies the parts of a standard wall cabinet.



NOTE: Single door wall cabinets must be ordered hinged left or right and can be reversed in the field.

Base Cabinet Construction

The drawing below illustrates and identifies the parts of a standard base cabinet.

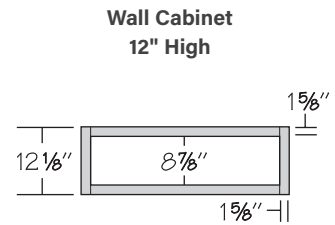
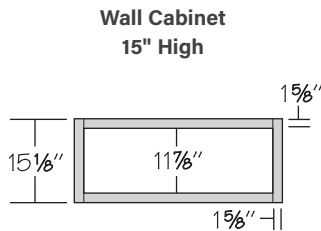
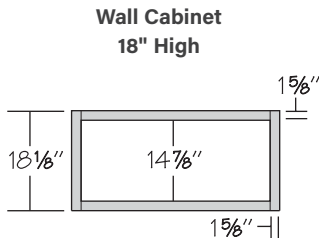
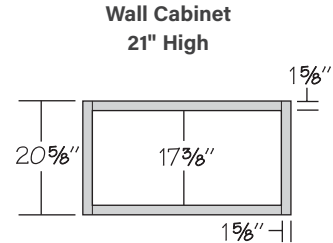
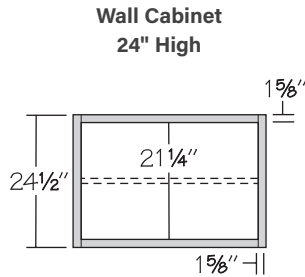
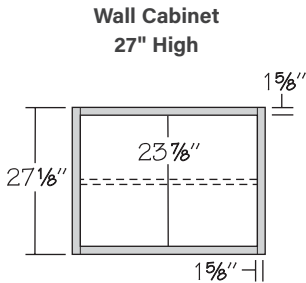
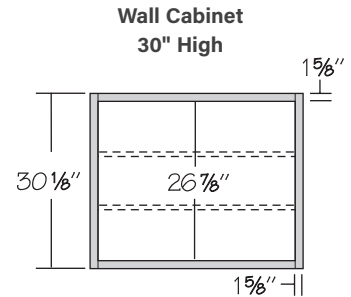
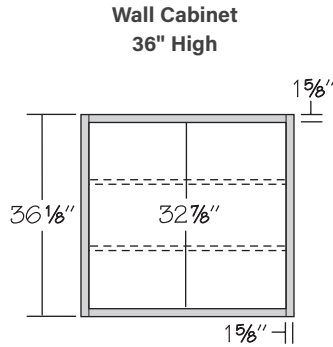
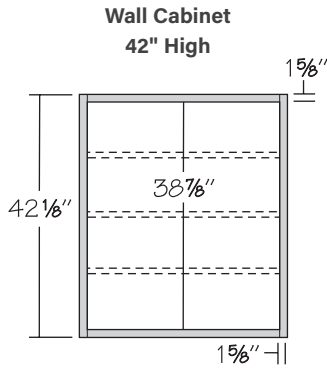


NOTE: Single door base cabinets are hinged left and can be reversed in the field.

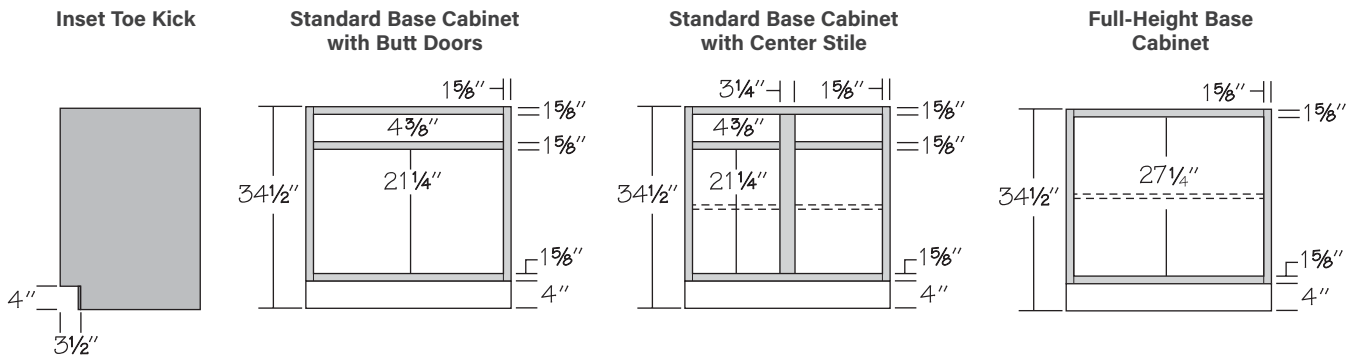
Cabinet Dimensions

These illustrations specify dimensions of vertical stiles and horizontal rails, inset toe kick, cabinet heights, and standard interior opening heights. Wall Top Hinge and all Butt door cabinets do not have a center stile. Wall cabinets 39" or wider will feature a 3 1/4" center stile.

Wall Cabinets

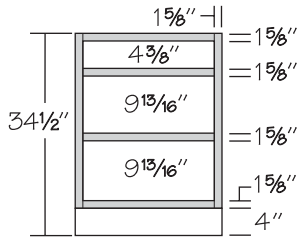


Base Cabinets

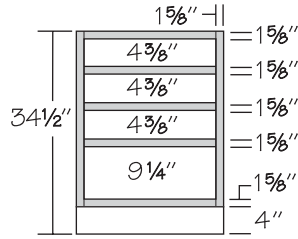


Drawer Base Cabinets

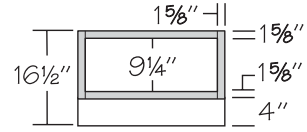
3-Drawer Base Cabinet



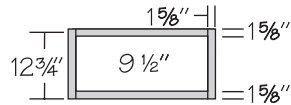
4-Drawer Base Cabinet



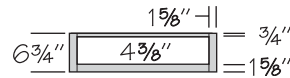
Pedestal Drawer Cabinet



12" High Furniture Drawer Cabinet

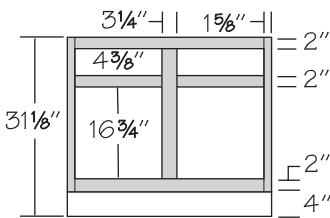


6" High Furniture Drawer Cabinet

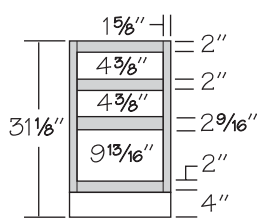


Vanity Cabinets

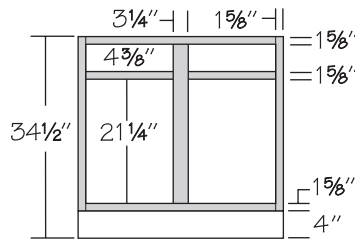
Vanity Base Cabinet Standard Height



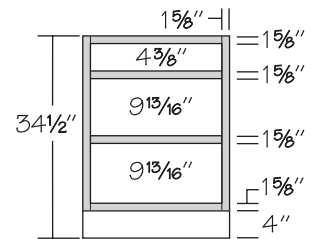
Vanity Drawer Base Standard Height



Vanity Base Cabinet Base Height

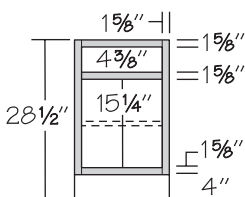


Vanity Drawer Base Base Height

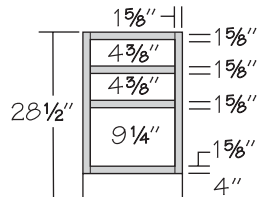


Desk Cabinets

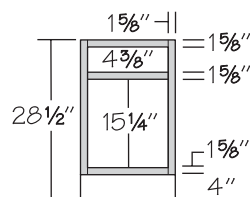
Desk Base Cabinet



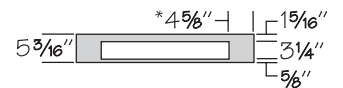
Desk Drawer Cabinet



Desk File Pull-Out



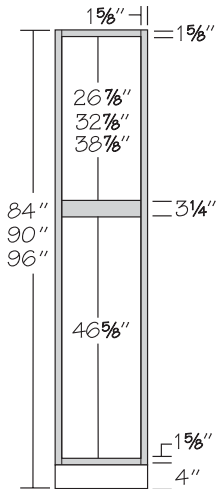
Kneehole Drawer*



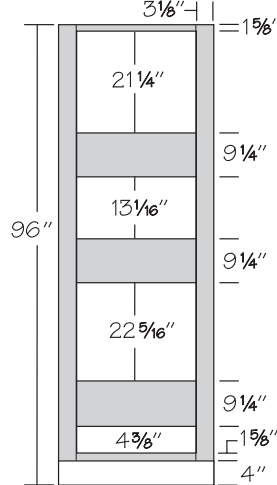
Trimmable in height to 4 3/4"
*Dimension for KDC36/33 is 3 3/8"

Tall Cabinets

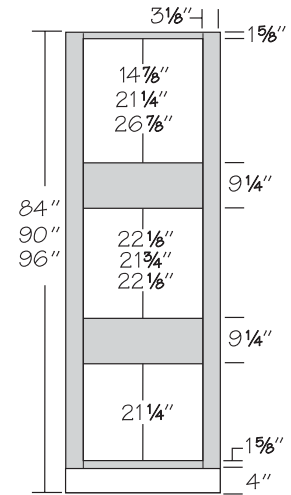
Vanity Linen & Utility Cabinets



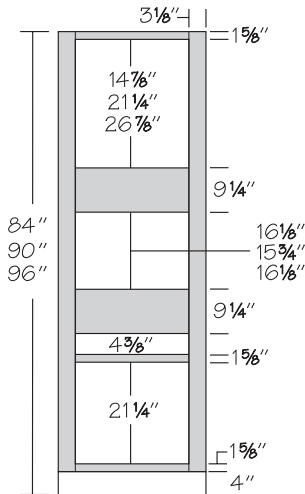
Oven Microwave Cabinet*



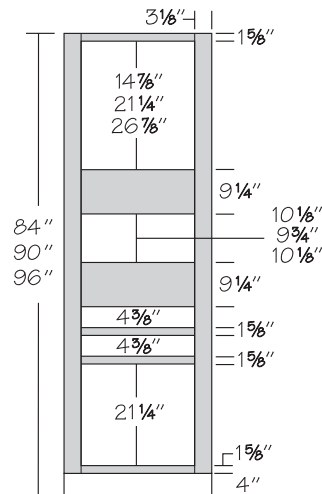
**Single Oven Cabinet
4 Butt Doors***



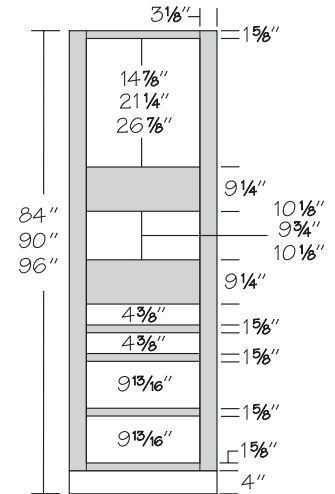
**Single Oven Cabinet
4 Butt Doors, 1 Drawer***



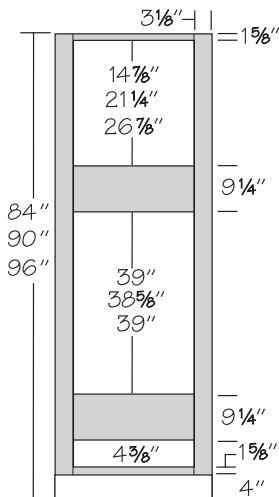
**Single Oven Cabinet
4 Butt Doors, 2 Drawers***



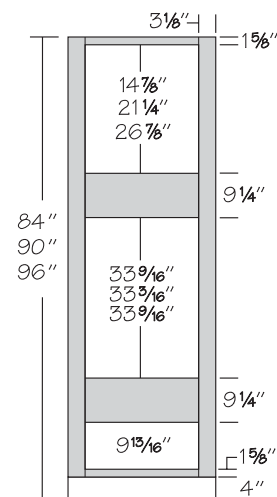
**Single Oven Cabinet
2 Butt Doors, 4 Drawers***



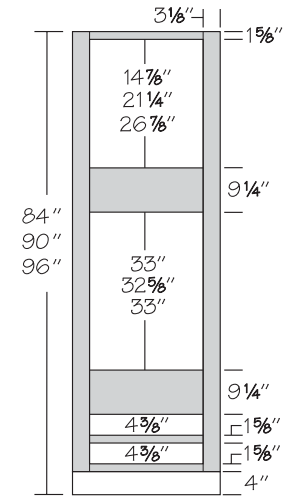
**Double Oven Cabinet
1 Drawer***



**Double Oven Cabinet
1 Large Drawer***

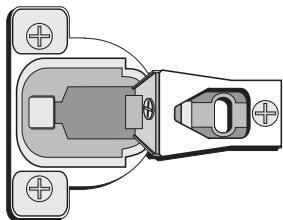


**Double Oven Cabinet
2 Drawers***



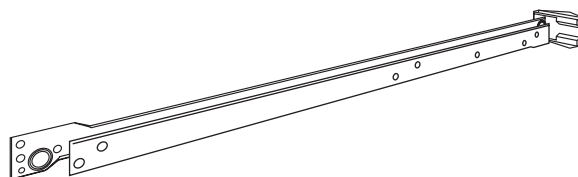
*Actual height of oven opening shown. For actual width, maximum width and maximum height dimensions, please refer to Cut Out Dimensions Chart in specific cabinet SKU box.

6-Way Adjustable Partial Overlay Door Hinge



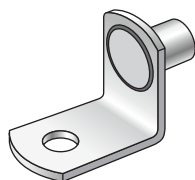
All steel construction with nickel-plated finish, Partial Overlay hinge with self-closing feature that allows door to close unassisted when approximately 20-30 degrees open. Hinges permit doors to open to approximately 105 degrees. Six-way adjustability allows in/out, up/down, and side-to-side adjustments. Exceeds industry standard for durability. Standard feature on all Partial Overlay (POL) door styles. Hinge restrictors are available to order separately to limit doors to opening more than 86 degrees.

Side-Mounted Drawer Glides



This glide system features twin self-aligning side-mounted drawer glides. They are constructed of epoxy coated steel for quiet opening and closing. Rollers are made of Delrin for smooth operation. The side-mounted glides are a standard feature on all cabinet drawers and on all sliding shelves.

Metal Shelf Rest



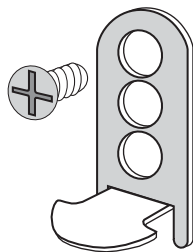
1/4" steel, nickel plated. Standard feature on all wall cabinets, bookshelves and Open Frame Door cabinets.

Base Locking Shelf Rest



Locks shelves in place and prevents shelves from sliding. Designed to allow easy shelf removal. Molded from clear high-strength polycarbonate. Standard feature on all base and tall cabinets.

Mullion Shelf Rest

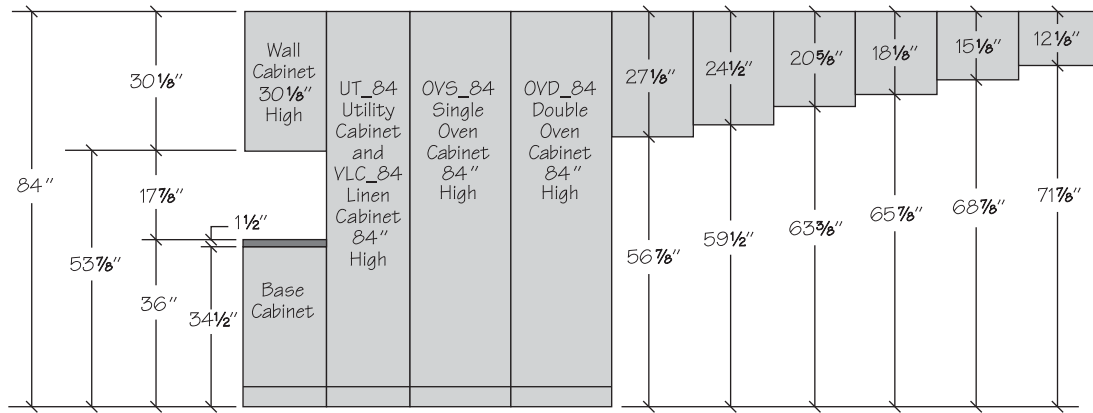


Allows for superior alignment of shelf with mullion. Metal construction. Six position adjustable. Standard feature on Mullion Frame Door cabinets.

Installation Height Guidelines

These illustrations specify dimensions of the height guidelines for top alignment of wall and tall cabinets (linen, utility, and oven) installation.

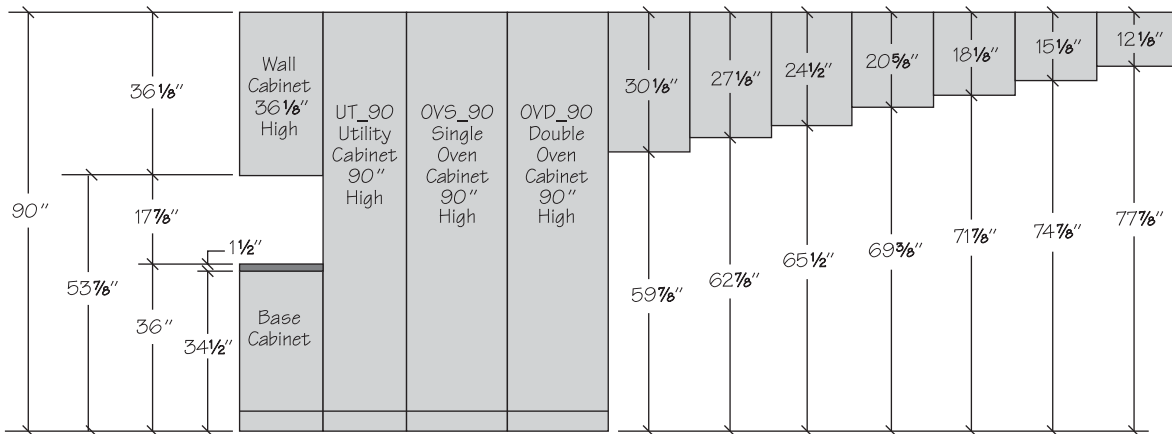
84" Top Alignment Cabinet Installation



Notes:

- 84" top alignment cabinet installation includes wall cabinets (30 1/8" high) installed 53 7/8" above the finished floor, allowing 17 7/8" clearance between the wall cabinets and a standard countertop height of 36"
- Tall cabinetry (linen, utility, and oven) is 84" high
- When selecting cabinetry for installation above or near any appliance, refer to the appliance manufacturer's specifications for clearance and venting requirements

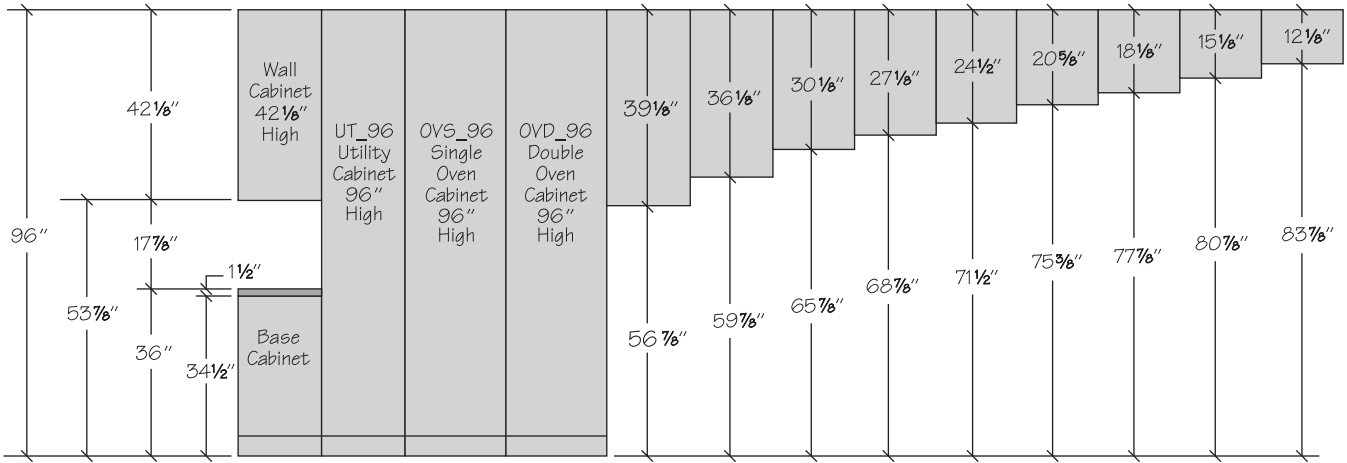
90" Top Alignment Cabinet Installation



Notes:

- 90" top alignment cabinet installation includes wall cabinets (36 1/8" high) installed 53 7/8" above the finished floor, allowing 17 7/8" clearance between the wall cabinets and a standard countertop height of 36"
- Tall cabinetry (utility and oven) is 90" high
- When selecting cabinetry for installation above or near any appliance, refer to the appliance manufacturer's specifications for clearance and venting requirements

96" Top Alignment Cabinet Installation



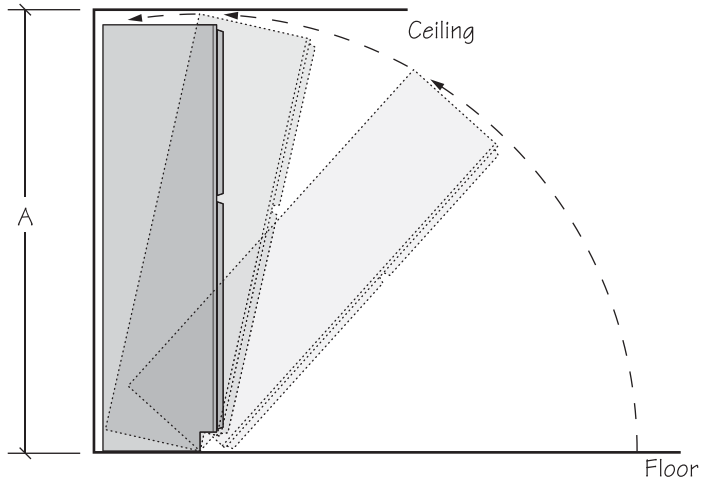
Notes:

- 96" top alignment cabinet installation includes wall cabinets (42 1/8" high) installed 53 7/8" above the finished floor, allowing 17 7/8" clearance between the wall cabinets and a standard countertop height of 36"
- Tall cabinetry (utility and oven) is 96" high
- **When selecting cabinetry for installation above or near any appliance, refer to the appliance manufacturer's specifications for clearance and venting requirements**

Ceiling Height Requirements

This illustration specifies the ceiling height requirements for tall cabinets (linen, utility, and oven).

Requirements for Tall Cabinets



Height	Cabinet Depth	Minimum Ceiling Height A
84"	12"	84 ⁹ / ₁₆ "
84"	18"	85 ¹ / ₄ "
84"	20 ³ / ₄ "	85 ¹³ / ₁₆ "
84"	24"	86 ¹ / ₂ "
90"	12"	90 ¹ / ₂ "
90"	18"	91 ⁵ / ₁₆ "
90"	24"	92 ⁵ / ₁₆ "
96"	12"	96"
96"	18"	96"
96"	24"	96"

Notes:

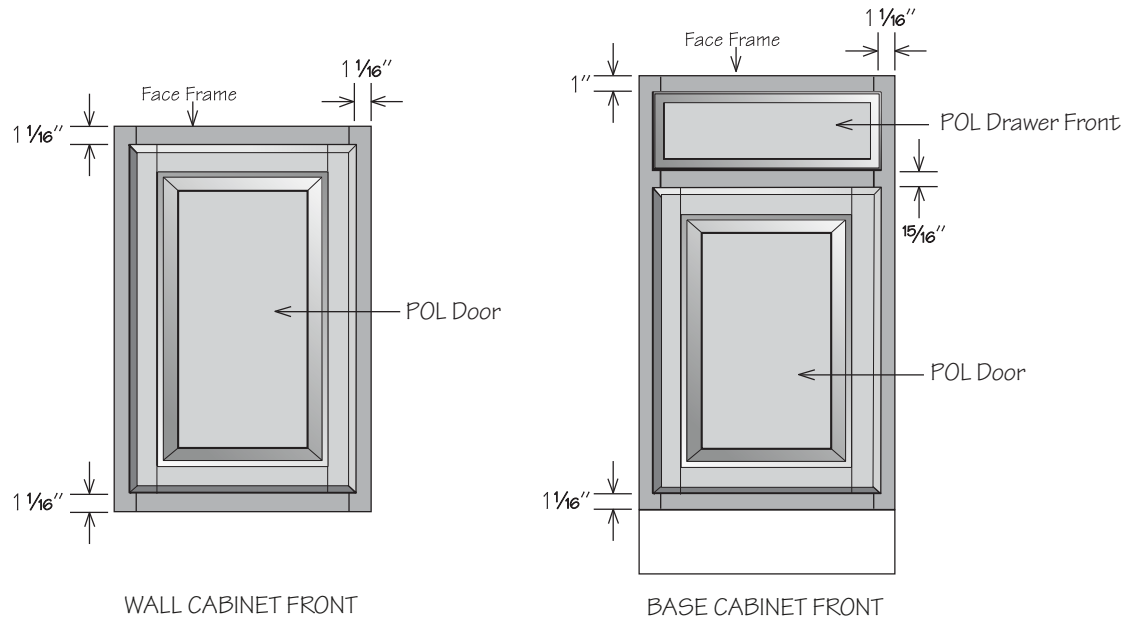
- 93" and 96" high tall cabinets have 4" toe kick assembly shipped inside the cabinet

Overlay Dimensions

The drawings shown below illustrate the relationship between the cabinet face frame and Partial Overlay (POL). They show the amount of the cabinet face frame that is visible when Partial Overlay doors are used.

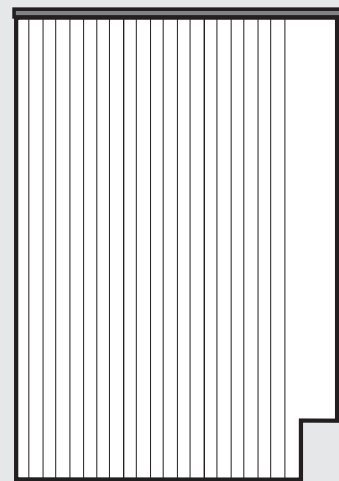
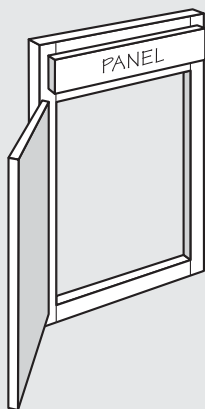
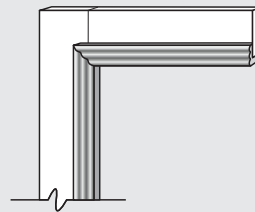
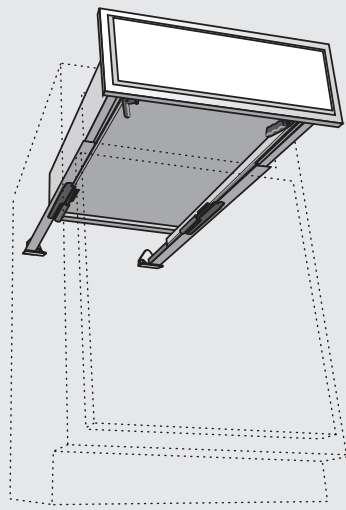
Partial Overlay

Partial overlay (POL) doors are sized to show about an inch of the cabinet face frame, giving the door some visual depth. Some door styles do not require decorative hardware.



Notes

CONSTRUCTION OPTIONS



23 21 19 17 15 13 11 9 7 5
24" 22 20 18 16 14 12 10 8 6 4"

Construction Options Legend & Upcharges

Icons used in this guide are shown below and indicate which construction options are available for a particular product.

CONSTRUCTION OPTION CODE	PRICING	
CFO Cabinet Front Only Option	No Charge	
FDS Full Depth Shelf Option	\$39 Over List Price	
ID Increased Depth Option	20% Over List Price	
IF Inverted Frame Option	20% Over List Price	
MI Matching Interior Option	20% Over List Price	
RTK Recessed Toe Kick Option	10% Over List Price	
RD Reduced Depth Option	20% Over List Price	
VDO Void Door Option - NO Molding	No Charge	
VDM Void Door Option - WITH Molding	10% Over List Price	
VTD Void Top Drawer Option	10% Over List Price	
VTK Void Toe Kick Option NEW! OPTION	10% Over List Price	

SPECIALTY DOOR OPTION CODE	LIST PRICE PER DOOR	
	12"- 30" HIGH	36"- 42" HIGH
OFD Open Frame Door	\$0	\$0
MFD Mullion Frame Door	\$47	\$144

GLASS OPTION CODE	LIST PRICE PER DOOR	
	12"- 30" HIGH	36"- 42" HIGH
PREPPED Prepped for Glass	\$0	\$0
DGI-__ CLEAR Clear Glass	\$144	\$175
DGI-__ DERBYSHIRE Derbyshire Seeded Glass	\$433	\$524
DGI-__ FROSTED ASH Frosted Ash Glass	\$433	\$524
DGI-__ FROSTED Frosted Glass	\$433	\$524
DGI-__ IMPRESSION Impression Glass	\$433	\$524
DGI-__ MEREDITH Meredith Glass	\$433	\$524
DGI-__ RIBBED Ribbed Glass	\$433	\$524

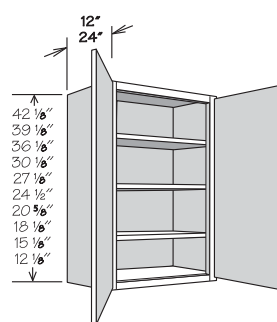
Construction Options Restrictions

When a square ■ or diamond ♦ symbol is used in an option box, it indicates that the construction option is ONLY available for SKUs listed with that symbol. All options without a symbol are available for all SKUs.

Example:

In this example, the ♦ diamond indicates that only W3015 BUTT and W3015 BUTT SD are available with Increased Depth (ID), while the ■ square indicates that only the non-SD cabinets are available with Matching Interior (MI) and Void Door (VDO) options.

Wall Cabinets • 2 Butt Doors



APC
CCH
CFO
FE
ID ♦
MI ■
PE
RD
VDO ■

12" DEEP

W3015 BUTT ■ ♦
W3015 BUTT SD ♦

24" DEEP

W3015 X 24DP BUTT ■
W3015 X 24DP BUTT SD

Reduced Depth Option

RD

The Reduced Depth Option should be used when ordering less than standard depth cabinets. The Reduced Depth Option is available in 1" increments; minimum depth is 4". Vanity and desk cabinets will reduce to standard reduced depth increments (e.g. vanity cabinets with RD-20 will measure 20" in depth).

Orders specifying Reduced Depth Option must show the total cabinet depth.

Example: Cabinet: B24
Option: RD-17 (reduced to 17" deep)

Notes:

- There is a potential tipping hazard for reduced depth cabinets until they are mounted to a wall
- Peninsula Base cabinets reduced to 11" or less will not have an inset toe kick
- Full-depth shelves are reduced in 1" increments to match Reduced Depth Option selected on cabinet(s)
- Half-depth shelves are reduced in 1" increments for cabinets reduced to 11" or less
- Adding the Reduced Depth Option does not remove adjustable shelves (where applicable)
- May be combined with all construction options excluding Increased Depth, Cabinet Front Only or Recessed Toe Kick when cabinets are reduced to 8" or less
- All cabinets reduced to 5" or less will not have an inset toe kick
- Reduced depth restrictions:
 - » Cabinets with factory installed sliding shelves are only available with RD-23 through RD-12
 - » 24" Deep Wall Top Hinge cabinets are only available with RD-23 through RD-8
 - » 12" Deep Wall Top Hinge cabinets are only available with RD-11 through RD-8
 - » Base End Angle (BEA12FH) cabinets are only available with RD-23 through RD-18
 - » Kneehole Drawer cabinets are only available with RD-20 through RD-12
 - » Two-Drawer Base cabinets are only available with RD-23 through RD-21
 - » 24" Deep Furniture Drawer cabinets are only available with RD-23 through RD-13
- When ordering reduced depth accessories, specify the depth of the cabinet for which the accessory is intended (e.g., SK3624 RD-21 would be ordered for a UT3624 X 84 RD-21)

OPTION CODE	ACTUAL DIMENSION	
Reduced Depth	Drawer Depth (Side-Mounted)	Sliding Shelf Depth
RD-23	18"	18"
RD-22	18"	18"
RD-21	18"	16"
RD-20	15"	16"
RD-19	15"	16"
RD-18	15"	15"
RD-17	12"	14"
RD-16	12"	13"
RD-15	12"	12"
RD-14	9"	11"
RD-13	9"	10"
RD-12	9"	9"
RD-11 to RD-6	No Drawer	Not Available
RD-5 or RD-4	No Drawer	Not Available

Increased Depth Option

ID

The Increased Depth Option is available for most Wall cabinets up to 36" wide and all Bookshelves. The Increased Depth Option is available in 1" increments; maximum depth is 24".

Orders specifying Increased Depth Option must show the total cabinet depth.

Example: Cabinet: W1530

Option: ID-14 (increased to 14" deep)

Notes:

- May be combined with all construction options excluding Reduced Depth and Cabinet Front Only Option
- Adjustable shelves are increased in 1" increments to match Increased Depth Option selected on cabinet(s)
- Wall cabinets and bookshelves increased up to and including 18" deep can be mounted using standard installation procedures
- Wall cabinets and bookshelves increased to 19" deep and over must be stacked, floor mounted, or installed over a refrigerator
- All increased depth cabinets must be securely attached in one of the following combinations: to studs in back wall and both sides OR to studs in back wall, one side and top (e.g. two adjacent cabinets or one adjacent cabinet and a wall)

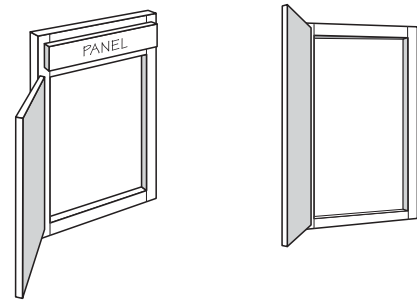
Cabinet Front Only Option

CFO

The Cabinet Front Only Option is available for most cabinets with a frame.

Notes:

- Cannot be combined with any construction option
- This option consists of the cabinet frame, door(s), drawer front(s), and hinges
- Toe kicks are not included
- This option is only available for cabinets without accessories



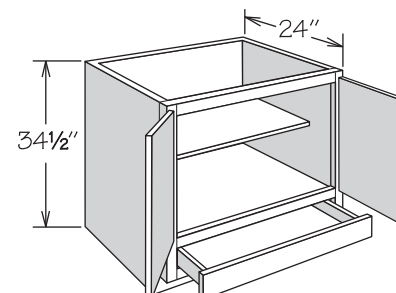
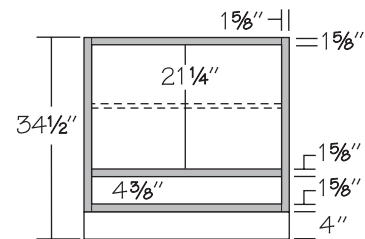
Inverted Frame Option

IF

The Inverted Frame Option is available for most standard base cabinets and base cabinets with accessories.

Notes:

- May be combined with all construction options excluding Cabinet Front Only and Void Top Drawer Option
- Drawer(s) below full cabinet floor
- Adjustable shelf is included
- Back is not predrilled for Sliding Shelves (SSK's)



Void Toe Kick Option

NEW!

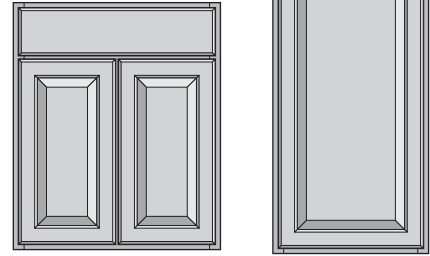
OPTION

VTK

The Void Toe Kick Option is available for most Base, Desk, Vanity, and Tall cabinets that feature a toe kick (excludes 93" and 96" high tall cabinets that ship toe kick assembly separately).

Notes:

- This option removes the toe kick
- May be combined with all construction options excluding Accessible Height, Recessed Toe Kick or Cabinet Front Only Option
- Any cabinet part above toe kick (face frames, doors, internal cabinet accessories, etc.) will not be altered by this modification



CONSTRUCTION OPTIONS

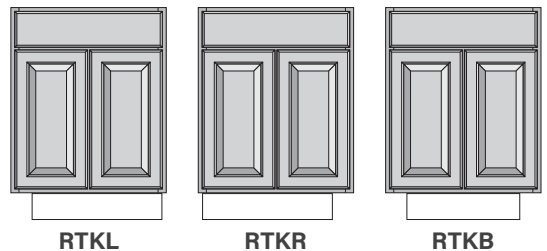
Recessed Toe Kick Option

RTK

The Recessed Toe Kick Option is available on most Base, Desk and Vanity base cabinetry. When the Recessed Toe Kick Option is selected, left, right or both must be specified.

Notes:

- May be combined with all construction options excluding Accessible Height Option, Cabinet Front Only and the Reduced Depth Option when cabinets are reduced to 8" or less
- Recommended for cabinets at the end of a run, especially in island and peninsula designs
- Recessed side(s) are constructed of 1/2" thick unfinished plywood and are recessed 3 1/2" to match front of cabinet
- Recessed Toe Kick box is not flush on non-recessed side and back
- Blind Corner Base cabinets are only available with the Recessed Toe Kick Both (RTKB) Option
- Base End Angle (BEA_FH), Base Pantry Pull Out (BPP9), Base Pantry Pull Out Utensil Storage (BPPUS9), Base Tray Divider Pull Out (BTDP9), Tray Base cabinets (TB9_) are not available with the Recessed Toe Kick Both Option (RTKB)
- Not available for Peninsula Base cabinets with the Reduced Depth Option of RD-11 and lower
- For Peninsula Base cabinets, the working drawer side indicates the front of the cabinet in order to correctly select Recessed Toe Kick Right (RTKR) or Left (RTKL)
- Peninsula Base cabinets ordered with Recessed Toe Kick Option must be secured to the floor through the cabinet bottom into bracing secured to the floor
- Base toe kick (BTK8) required for front and any exposed side(s)



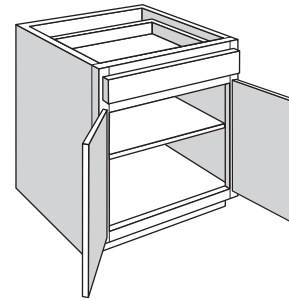
Full Depth Shelf Option

FDS

The Full Depth Shelf Option is available for most Base cabinets and will convert the half-depth shelf to a full-depth shelf.

Notes:

- Available for individual cabinets
- Not available for cabinets with accessories
- May be combined with the Reduced Depth Option down to 13"
- Cannot be ordered with All Plywood Construction



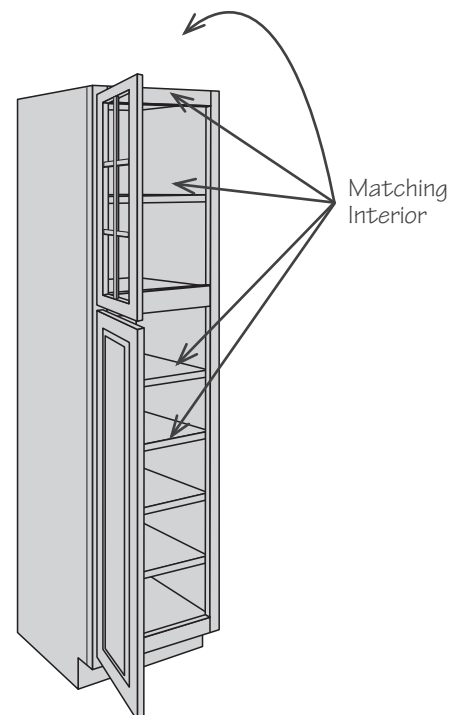
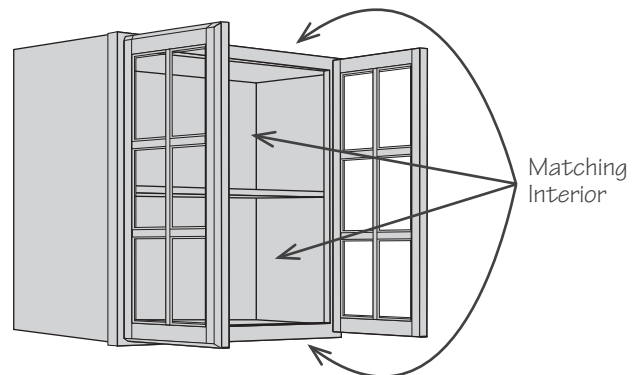
Matching Interior Option

MI

The Matching Interior Option is available for Wall cabinets (with the exceptions noted below), Utility cabinets, Vanity Linen cabinets, and Refrigerator Return Panels. This option matches the cabinet's interior, top and bottom to that of the cabinet's box exterior.

Notes:

- May be combined with all construction options excluding Cabinet Front Only
- Not available for wall cabinets with a standard matching interior (including all Specialty Door cabinets)
- Standard construction cabinetry with the Matching Interior Option features two-sided engineered wood side panels finished to match cabinet box exterior
- Recommended for wall cabinets with the Void Door Option (VDO)
- All finished surfaces of the Wall, Utility, and Vanity Linen cabinets will be color matched including shelves, back, interior and exterior of returns, top and bottom
- Surfaces that are not finished (including hanging rails, tops/bottoms of side panels, cabinet backs, etc.) will remain unfinished
- Interior accessories in Matching Interior cabinets will remain natural finish (e.g., spice rack kit, sliding shelves, pantry swing-out kit)



Void Door Option

VDO/VDM

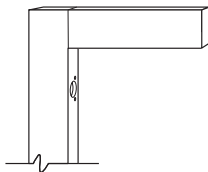
The Void Door Option is available for most wall cabinets. All void door cabinets ship without doors or hinges – center stiles and adjustable shelves will remain. Cabinet frames are pre-drilled for door hinges. All void door Wall Top Hinge Cabinets will ship without door, lid stays, and hinges.

Refer to the descriptions below to select the correct option for your layout:

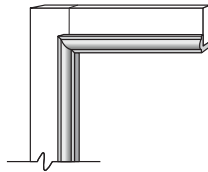
- VDO-DFH (Drilled For Hinges)
- VDM-SBAM (Single Bead Accent Molding)
- VDM-SAM (Shaker Accent Molding)

Notes:

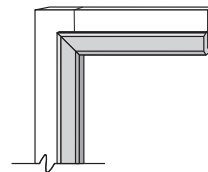
- May be combined with all construction options excluding Cabinet Front Only Option
- Can be used to create decorative open cabinets
- Decorative accent moldings will conceal hinge holes
- Molding is to be cut and field installed at the job site
- When matching interior is desired, the Matching Interior Option must be selected separately



VDO-DFH
Drilled For Hinges



VDO-SBAM
Single Bead Accent Molding



VDO-SAM
Shaker Accent Molding

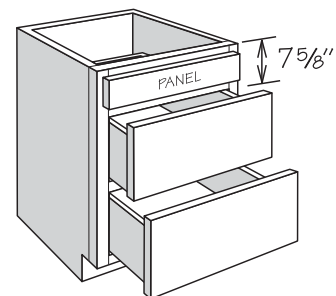
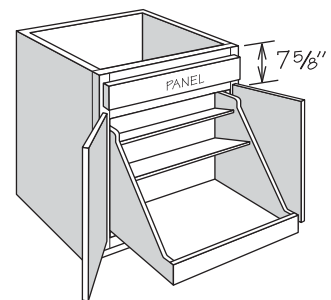
Void Top Drawer Option

VTD

The Void Top Drawer Option is available for most 3 Drawer Base, 4 Drawer Base, Base with Sliding Shelves, Base with Pot & Pan Organizer and Peninsula Base cabinets.

Notes:

- May be combined with all construction options excluding Cabinet Front Only and Inverted Frame Option
- This option removes the drawer body and glide system and replaces it with a false panel on any top drawer(s)
- On cabinets with multiple top drawers, all top drawers will be voided
- When using an appliance, the interior height clearance is 7⁵/₈" from the top of the cabinet to the top of the door/drawer opening below the voided drawer
- Subtract 1¹/₂" from width and depth for available top opening – removal of corner blocks may be required
- Removal of the top rail is not recommended
- Refer to appliance manufacturer's specifications for adequate clearances and required installation materials



Specialty Door Option cabinets are available for most wall, utility and vanity linen cabinet sizes. All Specialty Door Option cabinets include Matching Interior as standard and require one of the specialty door options below. Specialty door options for utility and vanity linen cabinets apply to top door(s) only.

Open Frame Door (OFD) notes:

- Features door frame only with no mullions or center panel
- Decorative glass inserts and appropriate glass clips are shipped separately from the cabinet for field installation – see pages 36–37 for available glass inserts
- See next page for door style profiles

Mullion Frame Door (MFD) notes:

- Features grid-style mullions
- Not available for Wall Top Hinge cabinets
- Decorative glass inserts and appropriate glass clips are shipped separately from the cabinet for field installation – see pages 36–37 for available glass inserts
- See next page for door style profiles

SPECIALTY DOOR AVAILABILITY BY SIZE

Door Width	Door Height							
	12" High Wall	15" High Wall	18" High Wall	24" High Wall	27" High Wall	30" High Wall	36" High Wall	42" High Wall
12" Wide	●	●	●	●		●	●	●
13" Wide	●	●	●	●		●	●	●
15" Wide	●	●	●	●	●	●	●	●
16" Wide		●	●	●		●	●	●
18" Wide	●	●	●	●		●	●	●
18 ½" Wide	●	●	●	●				
19" Wide	●	●	●	●		●	●	●
21" Wide	●	●	●	●		●	●	●
30" Wide		■	■					
36" Wide		■	■					
42" Wide	■							

- Available with all Specialty Door Options
- Wall Top Hinge cabinets only – not available with MFD Option

SPECIALTY DOOR OFFERING BY STYLE

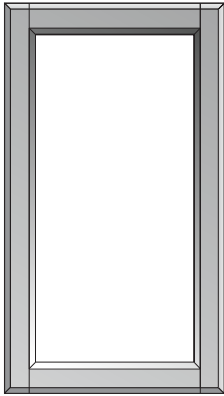
Door Style	OFD	MFD
Boerne	●	●

Open Frame Door Profiles

OFD

PROFILE FOR:

- Boerne

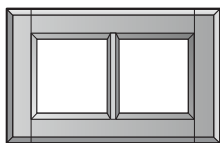


Mullion Frame Door Profiles

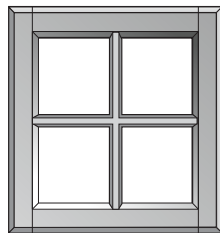
MFD

PROFILE FOR:

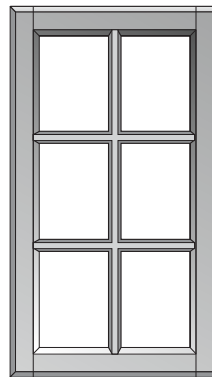
- Boerne



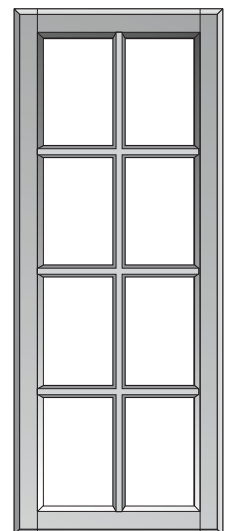
12" High Wall Cabinet



15", 18", 21", 24" or 27"
High Wall Cabinet



30" or 36" High Wall Cabinet
84" or 90" High Utility Cabinet
84" High Vanity Linen Cabinet



42" High Wall Cabinet
96" High Utility Cabinet

Clear Glass



OFD
MFD

- 1/8" thick panel
- Clear glass
- Tempered safety glass
- Includes appropriate Decorative Glass Clips
- Order as DGI-___ CLEAR, refer to Parts Directory for nomenclature and dimensions

Derbyshire Seeded Glass



OFD
MFD

- 5/16" thick panel
- Clear seeded glass
- Laminated safety glass
- Includes appropriate Decorative Glass Clips
- Order as DGI-___ DERBYSHIRE, refer to Parts Directory for nomenclature and dimensions

Frosted Glass



OFD
MFD

- 1/8" thick panel
- Frosted glass with etched finish
- Tempered safety glass
- Includes appropriate Decorative Glass Clips
- Order as DGI-___ FROSTED, refer to Parts Directory for nomenclature and dimensions

Frosted Ash Glass



OFD
MFD

- 1/8" thick panel
- Gray tinted glass
- Tint is manufactured in material - not a film
- Tempered safety glass
- Includes appropriate Decorative Glass Clips
- Order as DGI-___ FROSTED ASH, refer to Parts Directory for nomenclature and dimensions

Impression Glass



OFD
MFD

- 1/8" thick panel
- Sculptural glass
- Tempered safety glass
- Includes appropriate Decorative Glass Clips
- Order as DGI-___ IMPRESSION, refer to Parts Directory for nomenclature and dimensions

Meredith Glass



OFD

- 1/4" overall thickness (1/8" beveled edge thickness)
- Clear glass design with 1/4" wide beveled edges
- Tempered safety glass
- Includes appropriate Decorative Glass Clips
- Order as DGI-___ MEREDITH, refer to Parts Directory for nomenclature and dimensions

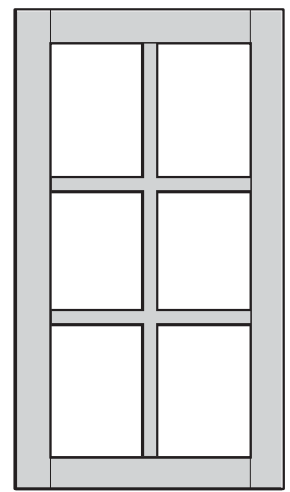
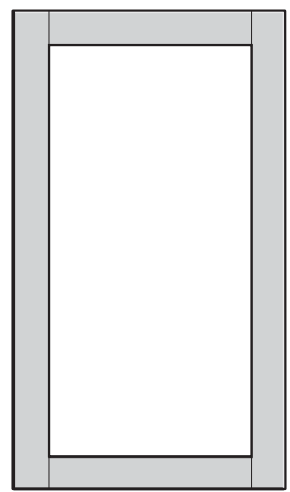
Ribbed Glass



OFD
MFD

- 1/8" thick panel
- Clear ribbed glass
- Tempered safety glass
- Includes appropriate Decorative Glass Clips
- Not available for Wall Top Hinge Cabinets
- Order as DGI-____ RIBBED, refer to Parts Directory for nomenclature and dimensions

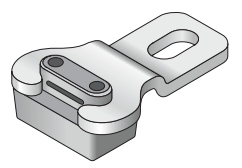
Prepped for Glass



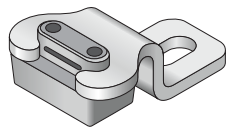
OFD
MFD

- For customer installed inserts up to 5/16" thick
- Refer to page 35 for standard profiles
- Decorative Glass Clips not included—order separately

Decorative Glass Clips



CLIP DGI 1/8



CLIP DGI 5/16

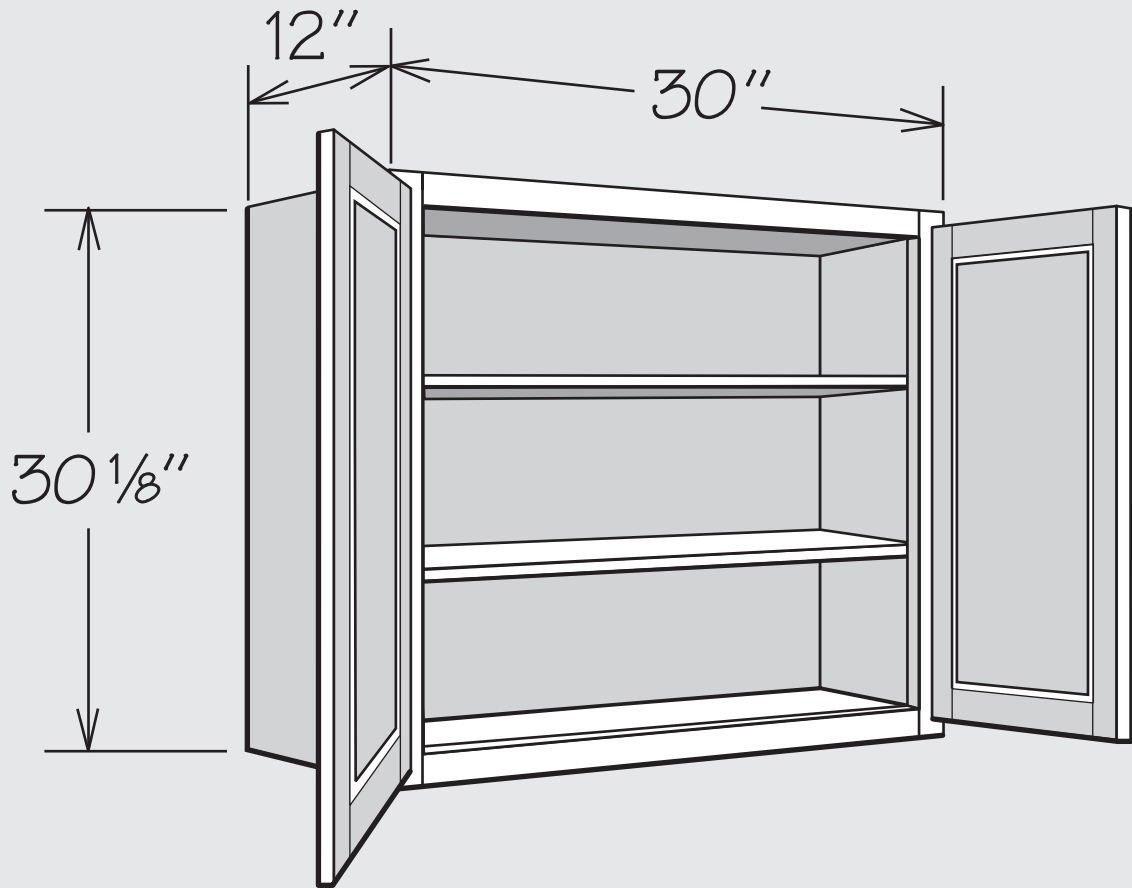
Glass Insert	CLIP DGI 1/8	CLIP DGI 5/16
Clear	●	
Derbyshire		●
Frosted	●	
Frosted Ash	●	
Impression	●	
Meredith	●	
Ribbed	●	

- For installation of decorative glass insert
- Order one bag (six clips) per door

CLIP DGI 1/8
CLIP DGI 5/16

Notes

WALL CABINETS

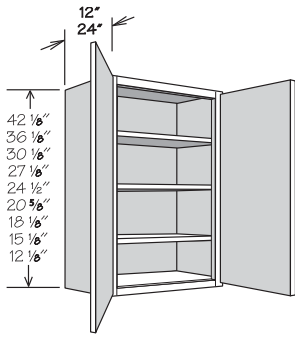


Wall Cabinets • 2 Butt Doors

NEW!

SIZES

CFO
ID ◆
MI ■
RD
VDO ■



42" High Shown

- Specialty Door cabinets (SD) feature Matching Interior standard and require a specialty door selection
- 24" deep cabinets feature half-depth shelf where applicable
- 24" deep cabinets must be securely attached in one of the following combinations: to studs in back wall and both sides OR to studs in back wall, one side and top (e.g. two adjacent cabinets or one adjacent cabinet and a wall) or installed over a refrigerator
- 21", 18", 15" and 12" high wall cabinets are not drilled for adjustable shelf

12" DEEP

42"H • 3 Shelves

- W2442 BUTT ■◆
- W2742 BUTT ■◆
- W3042 BUTT ■◆
- W3342 BUTT ■◆
- W3642 BUTT ■◆
- W2442 BUTT SD ◆
- W2742 BUTT SD ◆
- W3042 BUTT SD ◆
- W3342 BUTT SD ◆
- W3642 BUTT SD ◆

36"H • 2 Shelves

- W2436 BUTT ■◆
- W2736 BUTT ■◆
- W3036 BUTT ■◆
- W3336 BUTT ■◆
- W3636 BUTT ■◆
- W2436 BUTT SD ◆
- W2736 BUTT SD ◆
- W3036 BUTT SD ◆
- W3336 BUTT SD ◆
- W3636 BUTT SD ◆

30"H • 2 Shelves

- W2430 BUTT ■◆
- W2730 BUTT ■◆
- W3030 BUTT ■◆
- W3330 BUTT ■◆
- W3630 BUTT ■◆
- W2430 BUTT SD ◆
- W2730 BUTT SD ◆
- W3030 BUTT SD ◆
- W3330 BUTT SD ◆
- W3630 BUTT SD ◆

27"H • 1 Shelf

- W3027 BUTT ■◆

24"H • 1 Shelf

- W2424 BUTT ■◆
- W2724 BUTT ■◆
- W3024 BUTT ■◆
- W3324 BUTT ■◆
- W3624 BUTT ■◆
- W2424 BUTT SD ◆
- W2724 BUTT SD ◆
- W3024 BUTT SD ◆
- W3324 BUTT SD ◆
- W3624 BUTT SD ◆

21"H • No Shelf

- W3021 BUTT ■◆
- W3321 BUTT ■◆
- W3621 BUTT ■◆

18"H • No Shelf

- W2418 BUTT ■◆
- W2718 BUTT ■◆
- W3018 BUTT ■◆
- W3318 BUTT ■◆
- W3618 BUTT ■◆
- W2418 BUTT SD ◆
- W2718 BUTT SD ◆
- W3018 BUTT SD ◆
- W3318 BUTT SD ◆
- W3618 BUTT SD ◆

15"H • No Shelf

- W2415 BUTT ■◆
- W2715 BUTT ■◆
- W3015 BUTT ■◆
- W3315 BUTT ■◆
- W3615 BUTT ■◆
- W2415 BUTT SD ◆
- W2715 BUTT SD ◆
- W3015 BUTT SD ◆
- W3315 BUTT SD ◆
- W3615 BUTT SD ◆

12"H • No Shelf

- W2412 BUTT ■◆
- W2712 BUTT ■◆
- W3012 BUTT ■◆
- W3312 BUTT ■◆
- W3612 BUTT ■◆
- W2412 BUTT SD ◆
- W2712 BUTT SD ◆
- W3012 BUTT SD ◆
- W3612 BUTT SD ◆

24" DEEP

27"H • 1 Shelf

- W3027 X 24 DP BUTT ■

24"H • 1 Shelf

- W3024 X 24 DP BUTT ■
- W3324 X 24 DP BUTT ■
- W3624 X 24 DP BUTT ■
- W3724 X 24 DP BUTT ■
- W3024 X 24 DP BUTT SD
- W3324 X 24 DP BUTT SD
- W3624 X 24 DP BUTT SD
- W3724 X 24 DP BUTT SD

21"H • No Shelf

- W3021 X 24 DP BUTT ■
- W3321 X 24 DP BUTT ■
- W3621 X 24 DP BUTT ■
- W3721 X 24 DP BUTT ■

18"H • No Shelf

- W3018 X 24 DP BUTT ■
- W3318 X 24 DP BUTT ■
- W3618 X 24 DP BUTT ■
- W3718 X 24 DP BUTT ■
- W3018 X 24 DP BUTT SD
- W3318 X 24 DP BUTT SD
- W3618 X 24 DP BUTT SD
- W3718 X 24 DP BUTT SD

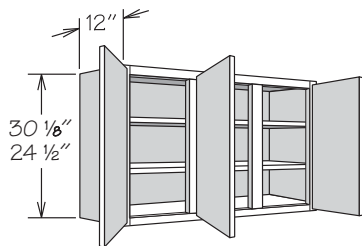
15"H • No Shelf

- W3015 X 24 DP BUTT ■
- W3315 X 24 DP BUTT ■
- W3615 X 24 DP BUTT ■
- W3715 X 24 DP BUTT ■
- W3015 X 24 DP BUTT SD
- W3315 X 24 DP BUTT SD
- W3615 X 24 DP BUTT SD
- W3715 X 24 DP BUTT SD

12"H • No Shelf

- W3012 X 24 DP BUTT ■
- W3312 X 24 DP BUTT ■
- W3612 X 24 DP BUTT ■
- W3712 X 24 DP BUTT ■
- W3012 X 24 DP BUTT SD
- W3312 X 24 DP BUTT SD
- W3612 X 24 DP BUTT SD
- W3712 X 24 DP BUTT SD

Wall Cabinets • 3 Doors



30" High Shown

- Specialty Door cabinets (SD) feature Matching Interior standard and require a specialty door selection
- Hinged as shown
- 12" high wall cabinets are not drilled for adjustable shelf
- Center shelf support provided (where applicable)

CFO
MI ■
RD
VDO ■

12" DEEP

30"H • 2 Shelves

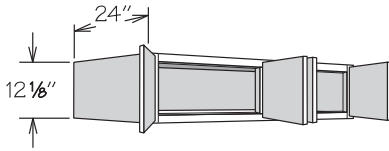
- W4530 ■
- W4530 SD

24"H • 1 Shelf

- W4524 ■
- W4524 SD

Wall Cabinets • 4 Butt Doors

CFO
MI ■
RD
VDO ■



- Not drilled for adjustable shelf
- 24" deep cabinets must be installed by:
 - » Securely attaching to studs in back wall and both sides or to studs in back wall, one side and top (e.g. two adjacent cabinets or one adjacent cabinet and a wall)
 - » And must be either stacked, floor mounted or installed over a refrigerator

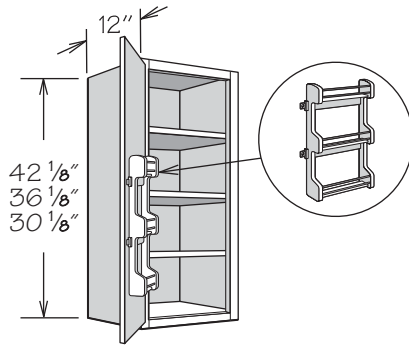
24" DEEP

12"H • No Shelf

W4812 X 24 DP BUTT

Wall Cabinet with Spice Rack • 1 Door

ID
MI



42" High Shown

- Spice Rack Kit packaged separately for field installation
- Position adjustable shelves prior to installation
- Kit in natural finish solid wood features chrome rails and three fixed shelves
- Must be ordered as hinged left or right

12" DEEP

42"H • 3 Shelves

W1542 SR
W1842 SR
W2142 SR

30"H • 2 Shelves

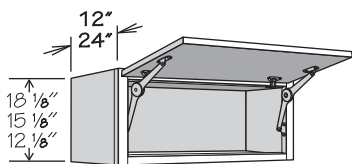
W1530 SR
W1830 SR
W2130 SR

36"H • 2 Shelves

W1536 SR
W1836 SR
W2136 SR

Wall Top Hinge • 1 Door

ID ◆
MI ■
RD
VDO ■



15" High Shown

- Features one pair of factory installed, field adjustable lid stays that supports door securely at any angle up to 105°
- Cabinet can be flipped to open downwards and lid stay can be adjusted to support door
- Door rail and stile configuration and insert panel grain direction will differ from standard wall cabinets
- Specialty Door cabinets (SD) feature Matching Interior standard and require a specialty door selection
- MFD not available on Wall Top Hinge Specialty Door cabinets
- 24" deep cabinets must be installed by:
 - » Securely attaching to studs in back wall and both sides or to studs in back wall, one side and top (e.g. two adjacent cabinets or one adjacent cabinet and a wall)
 - » And must be either stacked, floor mounted or installed over a refrigerator

12" DEEP

18"H • No Shelf

WTH3018 ■ ◆
WTH3618 ■ ◆
WTH3018 SD ◆
WTH3618 SD ◆

15"H • No Shelf

WTH3015 ■ ◆
WTH3615 ■ ◆
WTH3015 SD ◆
WTH3615 SD ◆

12"H • No Shelf

WTH4212 ■
WTH4212 SD

24" DEEP

18"H • No Shelf

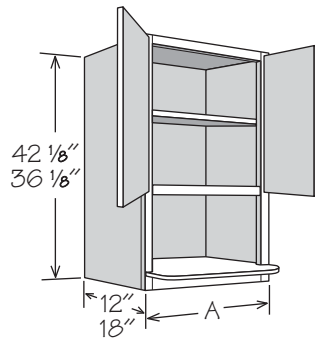
WTH3018 X 24 DP ■
WTH3618 X 24 DP ■
WTH3018 X 24 DP SD
WTH3618 X 24 DP SD

15"H • No Shelf

WTH3015 X 24 DP ■
WTH3615 X 24 DP ■
WTH3015 X 24 DP SD
WTH3615 X 24 DP SD

Wall Microwave Cabinets • 2 Butt Doors

RD
VDO



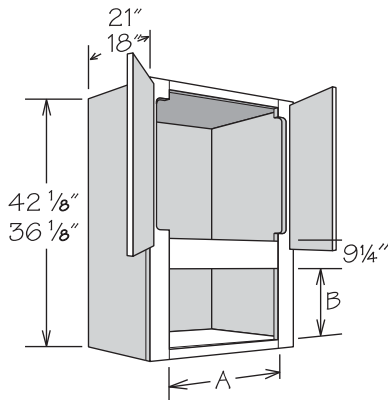
42" High Shown

- Must be installed between two adjacent cabinets or a cabinet and a wall
- Cabinet interior and microwave shelf are finished to match cabinet box exterior
- 3/4" plywood microwave shelf included
- Designed to accommodate countertop style microwave
- Refer to appliance manufacturer's specifications for adequate clearances
- 36" high wall cabinets are not drilled for adjustable shelf

12" DEEP	A	LOWER FRAME OPENING		
		WIDTH	HEIGHT	DEPTH
36"H • No Shelf				
WMSC301236 BUTT	30"	26 3/4"	18 5/8"	17 3/4"
WCMSC241236 BUTT	24"	20 3/4"	15 5/8"	17 3/4"
WCMSC271236 BUTT	27"	23 3/4"	15 5/8"	17 3/4"
18" DEEP				
42"H • 1 Shelf				
WMSC271842 BUTT	27"	23 3/4"	15 1/4"	23 3/4"

Microwave Wall Cabinets • 2 Butt Doors

ID
MI
RD

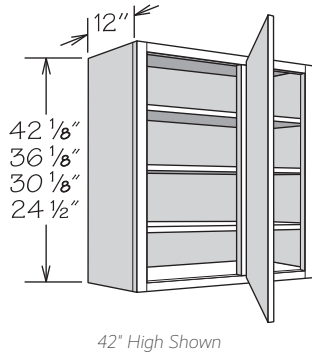


42" High Shown

- Must be installed between two cabinets or a cabinet and a wall
- Designed to accommodate microwaves with trim kit
- A cutout exists in the door area where the 3/8" stiles are routed to 1 5/8"
- Refer to appliance manufacturers specifications for adequate clearances
- Not drilled for adjustable shelf

18" DEEP	A	A	B	B	B
	ACTUAL	MAX.	ACTUAL	MAX. (FOL)	MAX. (POL)
42"H • No Shelf					
WMC301842 BUTT	23 3/4"	28"	12 1/4"	19 1/2"	20"
36"H • No Shelf					
WMC271836 BUTT	20 3/4"	25"	11 3/4"	19 1/2"	20"
WMC301836 BUTT	23 3/4"	28"	11 3/4"	19 1/2"	20"
21" DEEP					
42"H • No Shelf					
WMC302142 BUTT	23 3/4"	28"	12 1/4"	19 1/2"	20"
36"H • No Shelf					
WMC272136 BUTT	20 3/4"	25"	11 3/4"	19 1/2"	20"
WMC302136 BUTT	23 3/4"	28"	11 3/4"	19 1/2"	20"

Blind Wall Cabinet • 1 Door



42" High Shown

- Cabinet shown as right indicating blind opening is on the right side of cabinet (must be ordered as left or right)
- Includes 1/8" panel to cover blind opening (field trim and install)
- Refer to Blind Wall Cabinet Installation Chart for specifications
- Must order Universal Filler separately
- Specialty Door cabinets (SD) feature Matching Interior standard and require a specialty door selection

CFO
ID
MI ■
RD
VDO ■

12" DEEP

42"H • 3 Shelves

BLW24/2742 ■
 BLW30/3342 ■
 BLW33/3642 ■
 BLW24/2742 SD
 BLW30/3342 SD
 BLW33/3642 SD

36"H • 2 Shelves

BLW24/2736 ■
 BLW30/3336 ■
 BLW33/3636 ■
 BLW24/2736 SD
 BLW30/3336 SD
 BLW33/3636 SD

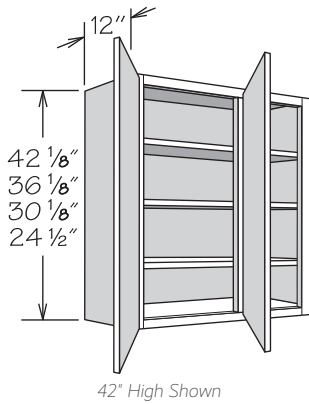
30"H • 2 Shelves

BLW24/2730 ■
 BLW27/3030 ■
 BLW30/3330 ■
 BLW33/3630 ■
 BLW36/3930 ■
 BLW24/2730 SD
 BLW27/3030 SD
 BLW30/3330 SD
 BLW33/3630 SD

24"H • 1 Shelf

BLW24/2724 ■
 BLW27/3024 ■
 BLW30/3324 ■
 BLW33/3624 ■
 BLW24/2724 SD
 BLW27/3024 SD
 BLW30/3324 SD
 BLW33/3624 SD

Blind Wall Cabinet • 2 Butt Doors



42" High Shown

- Cabinet shown as right indicating blind opening is on the right side of cabinet (can be reversed in the field)
- Includes 1/8" panel to cover blind opening (field trim and install)
- Refer to Blind Wall Cabinet Installation Chart for specifications
- Must order Universal Filler separately
- Specialty Door cabinets (SD) feature Matching Interior standard and require a specialty door selection
- Center shelf support provided for cabinets 39" or wider

CFO
ID ◆
MI ■
RD
VDO ■

12" DEEP

42"H • 3 Shelves

BLW36/3942 BUTT ■ ◆
 BLW39/4242 BUTT ■
 BLW42/4542 BUTT ■
 BLW36/3942 BUTT SD ◆
 BLW39/4242 BUTT SD
 BLW42/4542 BUTT SD

36"H • 2 Shelves

BLW36/3936 BUTT ■ ◆
 BLW39/4236 BUTT ■
 BLW42/4536 BUTT ■
 BLW36/3936 BUTT SD ◆
 BLW39/4236 BUTT SD
 BLW42/4536 BUTT SD

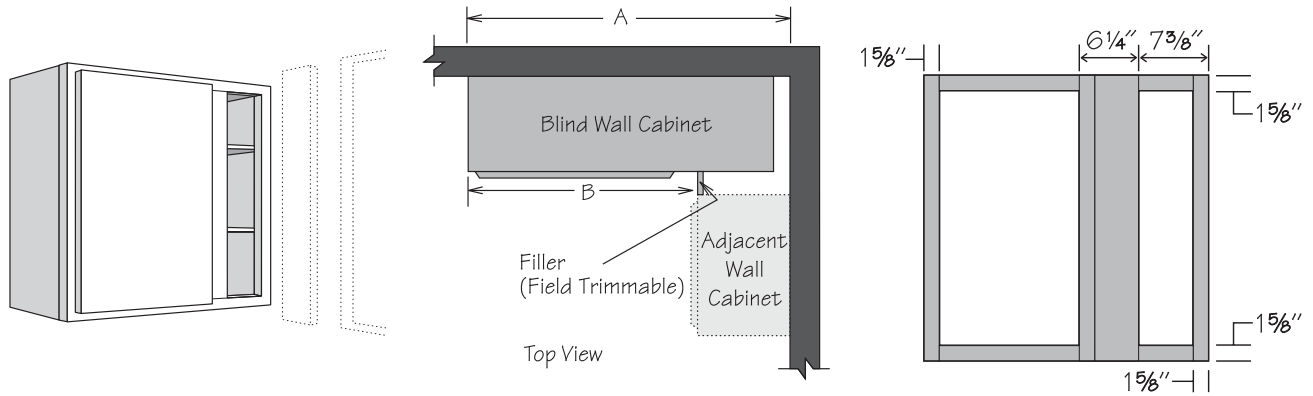
30"H • 2 Shelves

BLW36/3930 BUTT ■ ◆
 BLW39/4230 BUTT ■
 BLW42/4530 BUTT ■
 BLW45/4830 BUTT ■
 BLW48/5130 BUTT ■
 BLW36/3930 BUTT SD ◆
 BLW39/4230 BUTT SD
 BLW42/4530 BUTT SD
 BLW45/4830 BUTT SD
 BLW48/5130 BUTT SD

24"H • 1 Shelf

BLW36/3924 BUTT ■ ◆
 BLW36/3924 BUTT SD ◆

Blind Wall Cabinet Installation Chart



Partial Overlay Door Styles

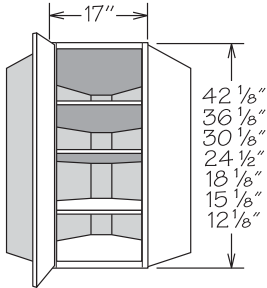
Wall Space A requirements include optional decorative hardware clearance. 1/4" may be deducted if decorative hardware is not used.

CABINET	ACTUAL CABINET WIDTH	DOOR OPENING	DOOR(S)	WALL SPACE A			EXPOSED FRAME B	
				MINIMUM SPACE	MAXIMUM PULL	MAXIMUM SPACE	MINIMUM SPACE	MAXIMUM SPACE
BLW24/27_	24"	8 3/4"	DR12__	25 3/8"	2 5/8"	28"	13 3/8"	16"
BLW27/30_	27"	11 3/4"	DR15__	28 3/8"	2 5/8"	31"	16 3/8"	19"
BLW30/33_	30"	14 3/4"	DR18__	31 3/8"	2 5/8"	34"	19 3/8"	22"
BLW33/36_	33"	17 3/4"	DR21__	34 3/8"	2 5/8"	37"	22 3/8"	25"
BLW36/3930	36"	20 3/4"	DR2430	37 3/8"	2 5/8"	40"	25 3/8"	28"
BLW36/39_ BUTT	36"	20 3/4"	DR12__ BUTT (2)	37 3/8"	2 5/8"	40"	25 3/8"	28"
BLW39/42_ BUTT	39"	23 3/4"	DR13__ BUTT (2)	40 3/8"	2 5/8"	43"	28 3/8"	31"
BLW42/45_ BUTT	42"	26 3/4"	DR15__ BUTT (2)	43 3/8"	2 5/8"	46"	31 3/8"	34"
BLW45/48_ BUTT	45"	29 3/4"	DR16__ BUTT (2)	46 3/8"	2 5/8"	49"	34 3/8"	37"
BLW48/51_ BUTT	48"	32 3/4"	DR18__ BUTT (2)	49 3/8"	2 5/8"	52"	37 3/8"	40"

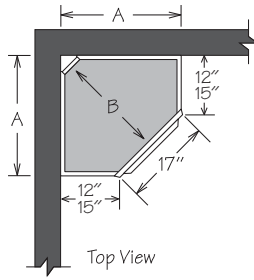
Corner Wall Cabinets

NEW! SIZES

MI ■
VDO ■



42" High Shown



Top View

- Must be ordered as hinged left or right
- Door opening is 11 3/4" wide
- Features a DR15_ door
- Specialty Door cabinets (SD) feature Matching Interior standard and require a specialty door selection
- 24" high cabinet's shelf is adjustable, not removable
- Glass Shelf Kit is not available for 18" or 24" high cabinets

	A	B
12" Deep	24"	21 1/2"
15" Deep	27"	25 3/4"

12" DEEP

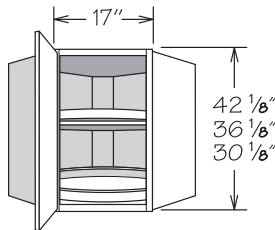
42"H • 3 Shelves	36"H • 2 Shelves	30"H • 2 Shelves	24"H • 1 Shelf	18"H • No Shelf	15"H • No Shelf	12"H • No Shelf
CW2442 ■	CW2436 ■	CW2430 ■	CW2424 ■	CW2418 ■	CW2415 ■	CW2412 ■
CW2442 SD	CW2436 SD	CW2430 SD	CW2424 SD	CW2418 SD	CW2415 SD	CW2412 SD

15" DEEP

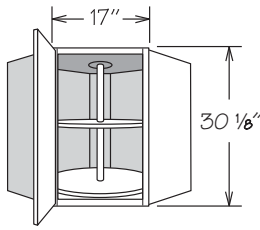
42"H • 3 Shelves	36"H • 2 Shelves	30"H • 2 Shelves	24"H • 1 Shelf	18"H • No Shelf	15"H • No Shelf	12"H • No Shelf
CW2742 ■	CW2736 ■	CW2730 ■	CW2724 ■	CW2718 ■	CW2715 ■	CW2712 ■
CW2742 SD	CW2736 SD	CW2730 SD	CW2724 SD	CW2718 SD	CW2715 SD	CW2712 SD

Corner Wall Cabinets • Spin Units

MI ■
VDO ■



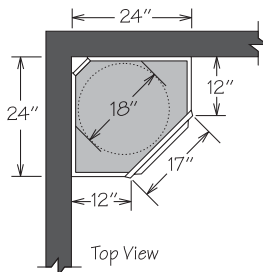
WOOD SPIN UNIT



PLASTIC SPIN UNIT

30" High Shown

- Must be ordered as hinged left or right
- Door opening is 11 3/4" wide
- Features a DR15_ door
- Wood Spin Units feature:
 - » One fixed spin unit mounted on cabinet floor and all other spin units are attached to 3/4" adjustable shelf
 - » Natural wood finish with 1" lip
- Plastic Spin Units feature:
 - » Two spin shelves with pole (top shelf adjustable)
 - » White high strength plastic shelves
- Specialty Door cabinets (SD) feature Matching Interior standard and require a specialty door selection



Top View

WOOD SPIN UNIT

42"H • 3 Spin Units
CWS2442 WD ■
CWS2442 WD SD

36"H • 2 Spin Units
CWS2436 WD ■
CWS2436 WD SD

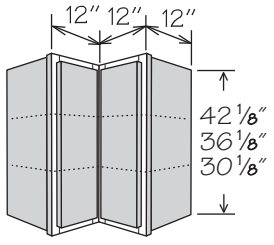
30"H • 2 Spin Units
CWS2430 WD ■
CWS2430 WD SD

PLASTIC SPIN UNIT

30"H • 2 Spin Units
CWS2430 ■
CWS2430 SD

Wall Easy Reach

MI

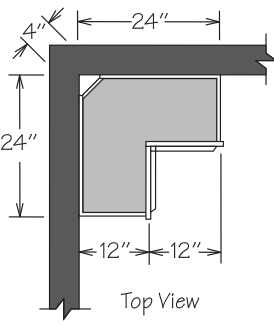


30" High Shown

- Stile width and outside profile of both doors at door-to-door hinge may vary from standard dimension and profile for proper door function
- Must be ordered as hinged left or right
- Doors open 170°

12" DEEP

42"H • 3 Shelves WER2442	36"H • 2 Shelves WER2436	30"H • 2 Shelves WER2430
------------------------------------	------------------------------------	------------------------------------

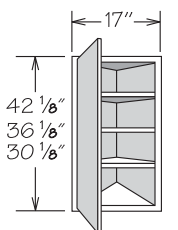


Top View

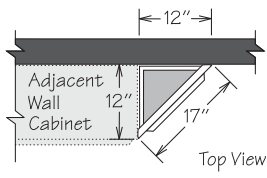
WALL CABINETS

Wall End Angle • 1 Door

MI ■
VDO ■



42" High Shown



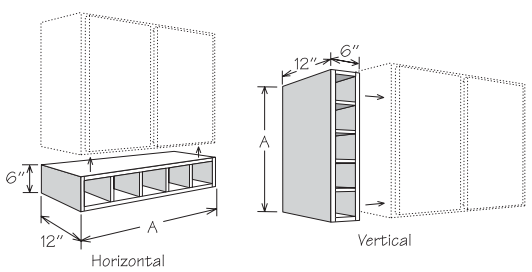
Top View

- Requires 12" x 12" space
- Features a DR15_ door
- Must be ordered as hinged left or right
- Specialty Door cabinets (SD) feature Matching Interior standard and require a specialty door selection

12" DEEP

42"H • 3 Shelves WEA1242 ■ WEA1242 SD	36"H • 2 Shelves WEA1236 ■ WEA1236 SD	30"H • 2 Shelves WEA1230 ■ WEA1230 SD
--	--	--

Storage Cube

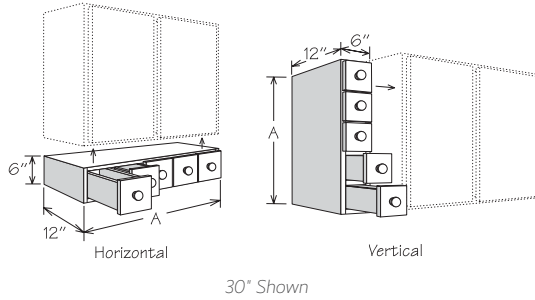


30" Shown

- Designed for horizontal or vertical installation
- Vertical installation may require the use of fillers and/or molding which must be ordered separately
- Opening size is 5" wide x 4 1/2" high (horizontal) which will accommodate most wine bottles and various other storage needs
- All door styles feature 3/4" veneered engineered wood finished to match cabinet box exterior
- Flush sides with no face frame or 1/4" reveals
- Interior finished to match cabinet box exterior
- Cannot be retrofitted with Spice Drawer Cabinet drawers

12" DEEP	A	NUMBER OF OPENINGS
SC30	30"	5
SC36	36"	6
SC42	42"	7

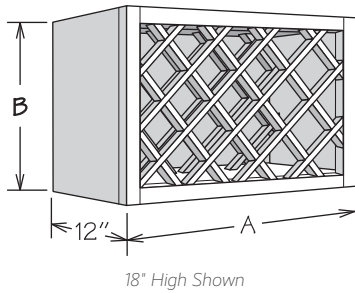
Spice Drawer Cabinet



- Designed for horizontal or vertical installation
- Vertical installation may require the use of fillers and/or molding which must be ordered separately
- All door styles feature veneered engineered wood with 1/2" thick slab drawer fronts
- Flush sides with no face frame or 1/4" reveals
- All wood drawer body with dovetail construction

12" DEEP	A	NUMBER OF DRAWERS
SDC18	18"	3
SDC24	24"	4
SDC30	30"	5
SDC36	36"	6

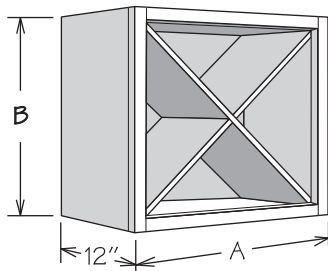
Wine Rack Cabinet



- Features Matching Interior standard
- Wine bottle opening is 4" x 4"
- Cabinets must be installed between two adjacent cabinets, one cabinet and a wall, or secured to a cabinet directly above or below

12" DEEP	A	B	NUMBER OF BOTTLES
18"H			
WRC3018	30"	18 1/8"	11
15"H			
WRC3015	30"	15 1/8"	10
WRC3615	36"	15 1/8"	13

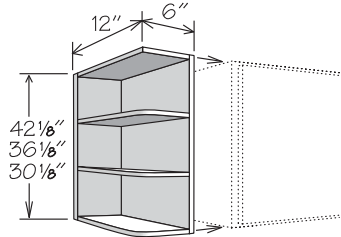
Wine Storage Cabinet



- Features Matching Interior standard
- Standard cabinet sides are 1/2" engineered wood
- All door styles feature 3/4" plywood partitions
- Accent molding recommended – order separately
- Cabinets must be installed between two adjacent cabinets, one cabinet and a wall, or secured to a cabinet directly above or below

12" DEEP	A	B	NUMBER OF BOTTLES
24"H			
WSC2424	24"	24 1/2"	30
18"H			
WSC1818	18"	18 1/8"	12

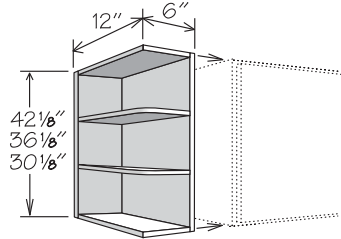
Shelf End Wall



SQUARE TOP, ROUND BOTTOM (SQT)

30" High Shown

- Interior finished to match cabinet box exterior
- Features 1/2" veneered engineered wood back and side
- Top, bottom, and shelves are 3/4" veneered engineered wood
- Rounded shelves feature a 3" radius
- 1 1/8" screw recommended from inside of adjacent cabinet for installation
- Rounded bottom on SEW_SQT does not allow cabinet to be reversed in the field or installation of bottom molding



SQUARE TOP & BOTTOM (SQT)

30" High Shown

12" DEEP

42"H • 3 Shelves

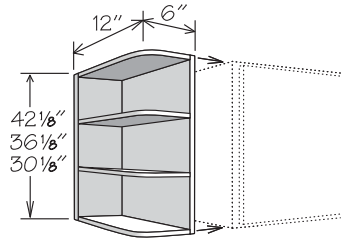
SEW42L SQT
SEW42R SQT
SEW42 SQT
SEW42

36"H • 2 Shelves

SEW36L SQT
SEW36R SQT
SEW36 SQT
SEW36

30"H • 2 Shelves

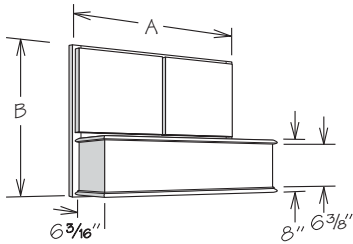
SEW30L SQT
SEW30R SQT
SEW30 SQT
SEW30



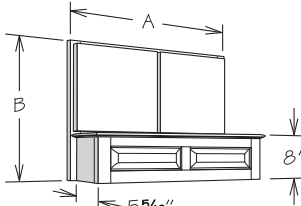
ROUND TOP & BOTTOM (SEW)

30" High Shown

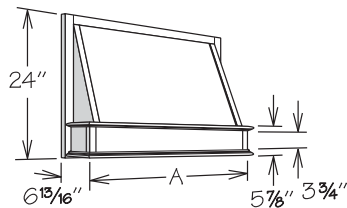
Wall Range Hood



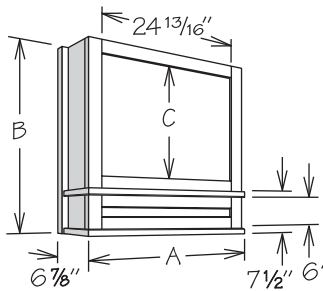
STRAIGHT VALANCE __SV



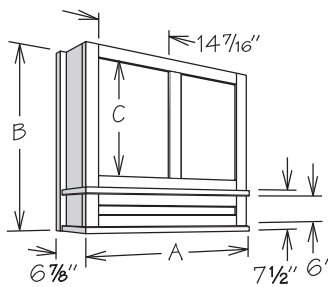
RAISED PANEL __RP



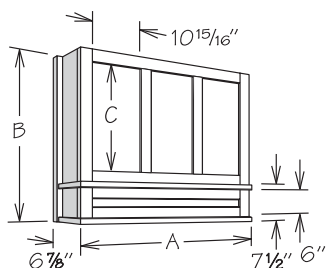
CLASSIC TAPERED __CT



DECORATIVE MANTLE • 1 PANEL



DECORATIVE MANTLE • 2 PANEL



DECORATIVE MANTLE • 3 PANEL

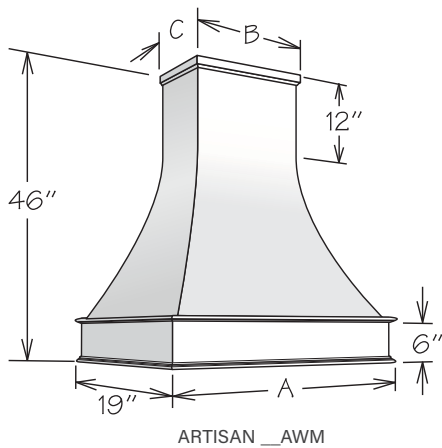
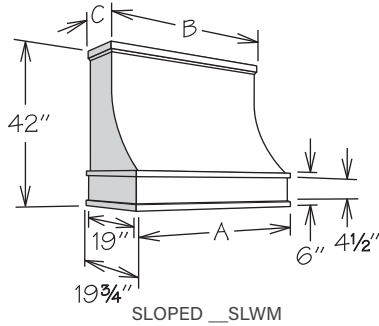
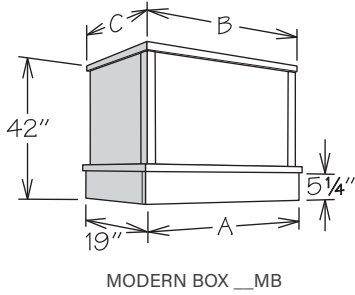
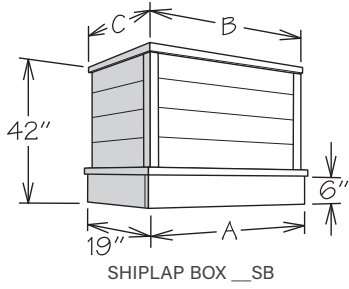
- Must be installed between two wall cabinets
- Silver metallic liner included
- Order range hood blower separately - not for use with RHVENT 960
- All finished surfaces will match cabinet box exterior
- Straight Valance and Raised Panel Range Hoods feature:
 - » Center stile and functioning BUTT doors allow for duct work installation and wiring
 - » Doors will match door style ordered

	A	B	C	DOORS
Straight Valance				
WRH3024 SV	30"	24"	—	(2) DR1515 BUTT
WRH3624 SV	36"	24"	—	(2) DR1815 BUTT
WRH3027 SV	30"	27"	—	(2) DR1518 BUTT
WRH3627 SV	36"	27"	—	(2) DR1818 BUTT
WRH3030 SV	30"	30"	—	(2) DR1521 BUTT
WRH3630 SV	36"	30"	—	(2) DR1821 BUTT
Raised Panel				
WRH3024 RP	30"	24"	—	(2) DR1515 BUTT
WRH3624 RP	36"	24"	—	(2) DR1815 BUTT
WRH3027 RP	30"	27"	—	(2) DR1518 BUTT
WRH3627 RP	36"	27"	—	(2) DR1818 BUTT
WRH3030 RP	30"	30"	—	(2) DR1521 BUTT
WRH3630 RP	36"	30"	—	(2) DR1821 BUTT
Classic Tapered				
WRH3024 CT	30"	—	—	—
WRH3624 CT	36"	—	—	—
Decorative Mantle - 1 Panel				
WRH3024 DM	30"	24"	12 5/16"	—
WRH3030 DM	30"	30"	18 5/16"	—
WRH3036 DM	30"	36"	24 5/16"	—
Decorative Mantle - 2 Panel				
WRH3624 DM	36"	24"	12 5/16"	—
WRH3630 DM	36"	30"	18 5/16"	—
WRH3636 DM	36"	36"	24 5/16"	—
Decorative Mantle - 3 Panel				
WRH4236 DM	42"	36"	24 5/16"	—

Range Hood • Integrated Chimney

NEW! NOMENCLATURE

NEW! UPDATE

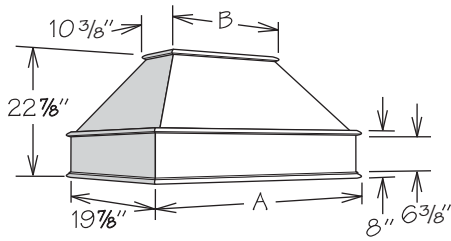


- **UPDATE:** Artisan and Sloped range hoods now include a piece of Contemporary Trim Molding (CLTM8) to field trim and install at the top of hood
- All door styles are finished to match cabinet box exterior - glazed finishes will be glazed
- Wall mounted installation only
- Silver metallic liner included - liner specific to range hood and blower ordered
 - » If no blower is ordered, RHLINER_S will be included
- Order range hood blower separately
- Field trimmable in height to 24"
- RH_ SB and RH_ MB include field installed corner molding and removable top molding
- Features a french cleat install system which requires 1" gap between hood and ceiling - use included molding to cover the gap
- Not recommended for use with Recirculating Blowers (RHVENT 260R & RHVENT 400R)

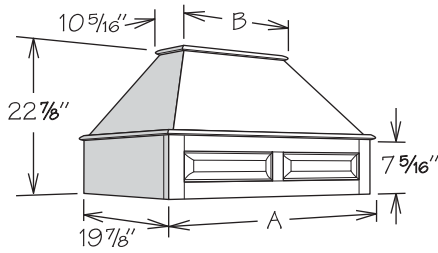
	A	B*	C**
Shiplap Box			
RH3642 SB	36"	37 1/2"	19 3/4"
RH4242 SB	42"	43 1/2"	19 3/4"
RH4842 SB	48"	49 1/2"	19 3/4"
Modern Box			
RH3642 MB	36"	37 1/2"	19 3/4"
RH4242 MB	42"	43 1/2"	19 3/4"
RH4842 MB	48"	49 1/2"	19 3/4"
Sloped			
RH3642 SLWM	37 7/16"	36"	10 7/8"
RH4242 SLWM	43 7/16"	42"	10 7/8"
Artisan			
RH3646 AWM	38 5/16"	18 1/2"	10 1/4"
RH4246 AWM	44 5/16"	24 1/2"	10 1/4"

*Includes 3/4" thick molding installed on both sides of hood - subtract 1 1/2" for dimension without molding
 **Includes 3/4" thick molding installed on front of hood - subtract 3/4" for dimension without molding

Range Hood



STRAIGHT VALANCE __SV

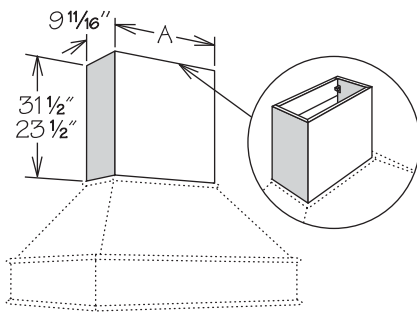


RAISED PANEL __RP

- All door styles are finished to match cabinet box exterior
- Wall mounted installation only
- Order range hood blower separately
- Silver metallic liner included - liner is specific to range hood and blower ordered
 - » If no blower is ordered RHLINER_S will be included
- May be accessorized with Range Hood Chimney - order separately

	A	B
Straight Valance		
RH3624 SV	37 3/4"	18 3/4"
RH4224 SV	43 3/4"	24 3/4"
RH4824 SV	49 3/4"	30 3/4"
Raised Panel		
RH3624 RP	37 3/4"	18 9/16"
RH4224 RP	43 3/4"	24 9/16"
RH4824 RP	49 3/4"	30 9/16"

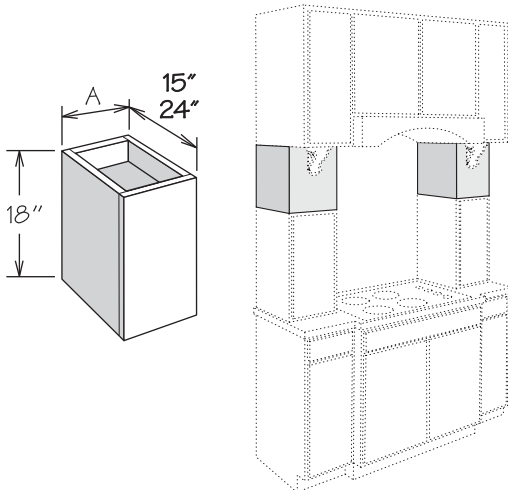
Range Hood Chimney



- Field trimmable in height
- All door styles feature 3/4" solid wood finished to match cabinet box exterior
- Features two chimney mounting blocks with metal fasteners
- For use with Straight Valance or Raised Panel Range Hoods

23 1/2" HIGH	31 1/2" HIGH	A
RHC3623	RHC3631	17 3/8"
RHC4223	RHC4231	23 3/8"
RHC4823	RHC4831	29 3/8"

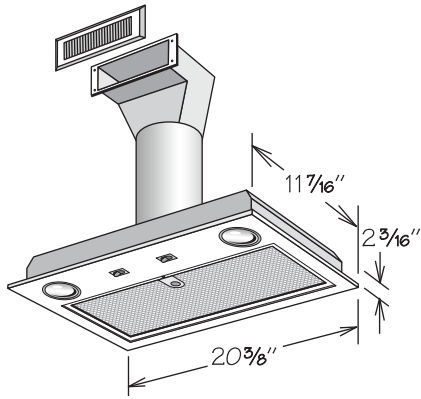
Plain Box Filler



- Veneered engineered wood
- Features 1/4" reveal
- Trimmable in height to 14 1/8" tall
- Reversible for left or right installation

24" DEEP	15" DEEP	A
WPB91824	WPB91815	9"
WPB121824	WPB121815	12"

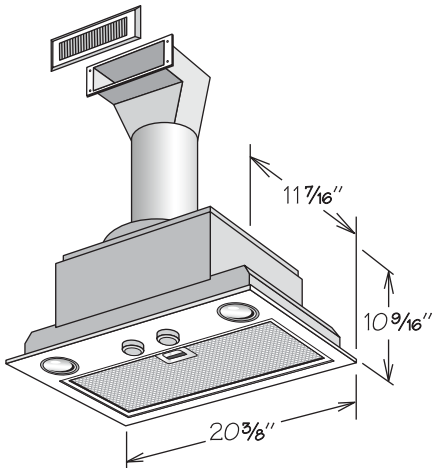
Range Hood Blower • 260 CFM Recirculating



- Designed for recirculating installation where exhaust is vented back into kitchen
- Recommended for use in spaces with soffit or bulkheads
- Not recommended for use with Integrated Chimney Range Hoods
- Includes duct work, metal grille and clips – field assembly required
- Stainless steel finish
- 2-Speed fan provides 260 CFM on high
- Sound level of 7.0 sones on high
- Features quick-release dishwasher safe aluminum mesh filter
- Includes two 2.8W bright LED lights
- Metal grille measures 11 1/4" x 5 5/16"
- 10" x 3" cutout required for metal grille
- Installation and care instructions included
- Liner not included

RHVENT 260R

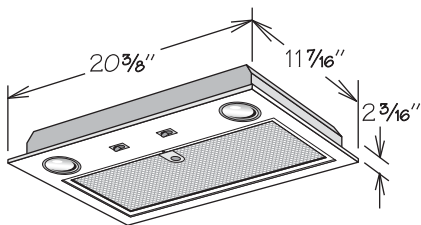
Range Hood Blower • 400 CFM Recirculating



- Designed for recirculating installation where exhaust is vented back into kitchen
- Recommended for use in spaces with soffit or bulkheads
- Designed for recirculating installation where exhaust is vented back into kitchen
- Includes duct work, metal grille and clips – field assembly required
- Stainless steel finish
- Energy Star rated
- Features 3-speed rotary switch
- Fan provides 400 CFM on high
- Sound level of 6.0 sones on high
- Features quick-release dishwasher safe aluminum mesh filter
- Includes two 2.8W bright LED lights
- Unit has master on-off switch and heat sentry will automatically turn unit on when excessive heat is detected
- Metal grille measures 11 1/4" x 5 5/16"
- 10" x 3" cutout required for metal grille
- Installation and care instructions included
- Liner not included

RHVENT 400R

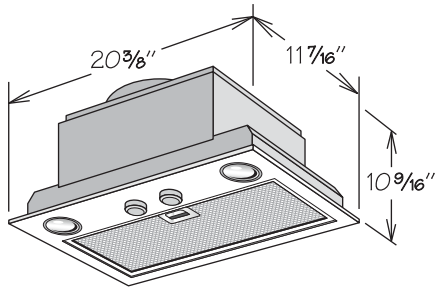
Range Hood Blower • 260 CFM Vented



- Designed for vented installation where exhaust is vented to exterior of home
- Stainless steel finish
- Requires 7" round duct for venting to exterior (not included)
- 2-Speed fan provides 260 CFM on high
- Sound level of 7.0 sones on high
- Features quick-release dishwasher safe aluminum mesh filter
- Includes two 2.8W bright LED lights
- Installation and care instructions included
- Liner not included

RHVENT 260

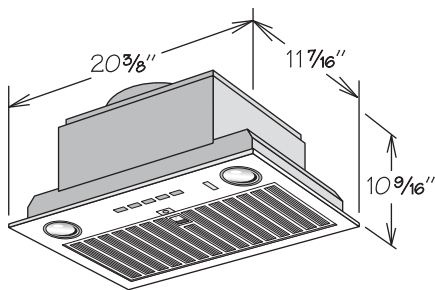
Range Hood Blower • 400 CFM Vented



- Designed for vented installation where exhaust is vented to exterior of home
- Stainless steel finish
- Energy Star rated
- Features 3-speed rotary switch
- Requires vertical 6" round or rectangular 3¼" x 10" duct for venting (not included)
- Fan provides 400 CFM on high using the rectangular duct and 390 CFM using the round duct
- Sound level of 6.0 sones on high
- Features quick-release dishwasher safe aluminum mesh filter
- Includes two 2.8W bright LED lights
- Unit has master on-off switch and heat sentry will automatically turn unit on when excessive heat is detected
- Installation and care instructions included
- Liner not included

RHVENT 400

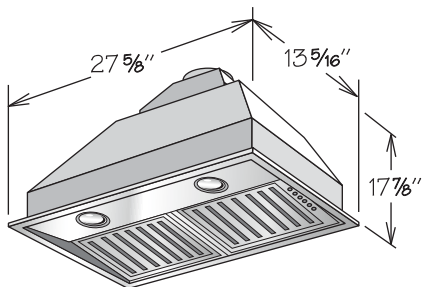
Range Hood Blower • 600 CFM Vented



- Designed for vented installation where exhaust is vented to exterior of home
- Stainless steel finish
- Features 4-speed back-lit Electronic Soft Touch controls
- Fan provides 600 CFM using the round duct and 580 CFM on high using the rectangular duct
- Sound level of 9.5 sones on high
- Features quick-release dishwasher safe baffle-style filter with clean filter reminder
- Includes two 3W bright LED lights with 3 lighting levels
- Unit has master on-off switch and heat sentry will automatically turn unit on when excessive heat is detected
- Auto-Sensing option sets CFM to correct level automatically
- Wifi enabled option allows for voice control
- Requires 8" round, 6" round, or 3¼" x 10" venting to exterior (not included)
- Installation and care instructions included
- Liner not included

RHVENT 600

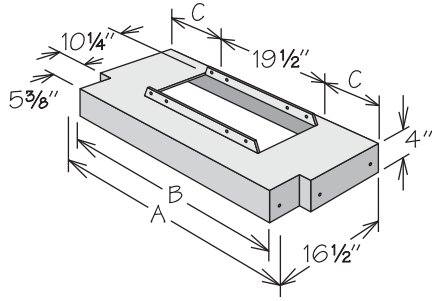
Range Hood Blower • 960 CFM Vented



- Designed for vented installation where exhaust is vented to exterior of home
- Durable stainless steel with brushed finish
- Features a 4-speed push-button control to offer greater CFM flexibility; 960 CFM, 660 CFM, 480 CFM and 300 CFM
- Centrifugal blower provides 960 CFM air delivery and sound level of 5.1 sones on high
- Includes two 4-watt 12v MR16 LED bulbs - daylight
- Features quick-release dishwasher safe baffle-style filter
- 10 minute delay off timer
- Requires 7" round duct for venting to exterior (not included)
- Installation and care instructions included
- Not designed for use with the following:
 - » Straight Valance Wall Range Hoods
 - » Raised Panel Wall Range Hoods
 - » Classic Tapered Wall Range Hoods
 - » Decorative Mantle Wall Range Hoods
- Liner not included

RHVENT 960

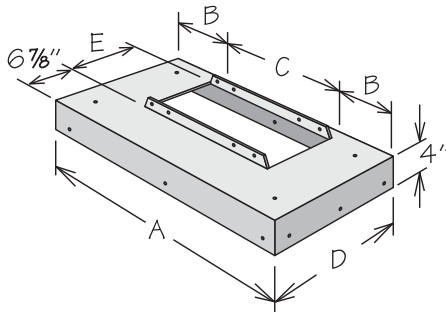
Tapered Hood Liner



- Liner is silver metallic powder coated metal
- For use with the following Wall Range Hoods:
 - » Straight Valance (WRH_SV)
 - » Raised Panel (WRH_RP)
 - » Classic Tapered (WRH_CT)
 - » Decorative Mantle (WRH_DM)
- One liner included with range hood

	A	B	C
RHLINER 30	29 ¹⁵ / ₁₆ "	26 ³ / ₁₆ "	5 ⁷ / ₃₂ "
RHLINER 36	35 ¹⁹ / ₁₆ "	32 ³ / ₁₆ "	8 ⁷ / ₃₂ "
RHLINER 42	41 ¹⁹ / ₁₆ "	38 ¹ / ₁₆ "	11 ⁷ / ₃₂ "

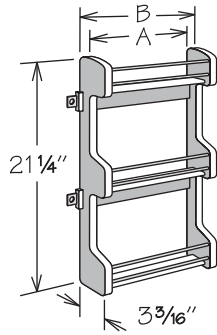
Straight Valance Hood Liner



- Liner finish is silver metallic powder-coated material
- For use with the following Range Hoods:
 - » Straight Valance (RH_SV)
 - » Raised Panel (RH_RP)
 - » Modern Box (RH_MB)
 - » Shiplap Box (RH_SB)
 - » Sloped (RH_SLWM)
 - » Artisan (RH_AWM)
- RHLINER_S SL1 must be used with RHVENT 960 blower
- RHLINER_S for use with all blowers except RHVENT 960
- One liner included with range hood (liner is specific to range hood and blower ordered)

	A	B	C	D	E
RHLINER 36S	34 ¹¹ / ₃₂ "	7 ⁷ / ₁₆ "	19 ¹ / ₂ "	18 ¹ / ₄ "	10 ¹ / ₄ "
RHLINER 42S	40 ¹¹ / ₃₂ "	10 ⁷ / ₁₆ "	19 ¹ / ₂ "	18 ¹ / ₄ "	10 ¹ / ₄ "
RHLINER 48S	46 ¹¹ / ₃₂ "	13 ⁷ / ₁₆ "	19 ¹ / ₂ "	18 ¹ / ₄ "	10 ¹ / ₄ "
RHLINER 36S SL1	34 ¹¹ / ₃₂ "	3 ³ / ₄ "	26 ¹⁹ / ₁₆ "	18 ³ / ₁₆ "	12 ⁷ / ₁₆ "
RHLINER 42S SL1	40 ¹¹ / ₃₂ "	6 ³ / ₄ "	26 ¹⁹ / ₁₆ "	18 ³ / ₁₆ "	12 ⁷ / ₁₆ "
RHLINER 48S SL1	46 ¹¹ / ₃₂ "	9 ³ / ₄ "	26 ¹⁹ / ₁₆ "	18 ³ / ₁₆ "	12 ⁷ / ₁₆ "

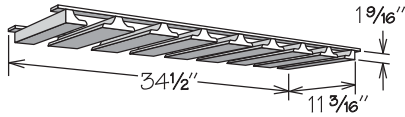
Spice Rack Kit



- Field installation accessory
- For wall cabinets 30" or higher
- Position cabinet adjustable shelves prior to installation
- Natural finish solid wood with chrome rails
- Three fixed shelves
- SRK15 mounts to 15" wide door
- SRK18 mounts to 18" wide door
- SRK21 mounts to 21" wide door

	A	B
SRK15	9 1/2"	10 1/2"
SRK18	12 1/2"	13 1/2"
SRK21	15 1/2"	16 1/2"

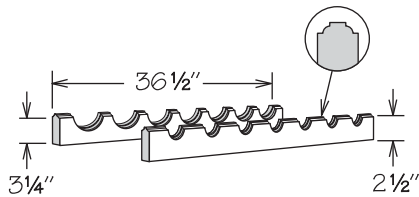
Stem Glass Holder



- Field trimmable to install below 18", 24", 30", or 36" wide wall cabinet
- All door styles feature solid wood finished to match cabinet box exterior
- Maximum stem glass base is 3/2" in diameter
- Not sized to fit modified depth cabinets

SGH36U

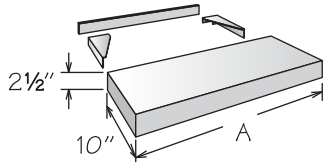
Wine Rack



- Accommodates seven bottles
- Field trimmable to 24" (five bottles) or 30" (six bottles)
- All door styles feature solid wood finished to match cabinet box exterior

WR36

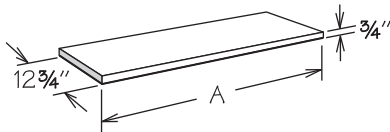
Floating Shelf



- Not trimmable
- Finished on all sides to match cabinet box exterior
- Features veneered engineered wood top and bottom and solid wood front and sides
- When installed between two cabinets, Wall End Panel (WEP) is recommended for adjacent cabinets
- Must be secured to studs in wall
- Installation instructions, mounting brackets and screws included

10" DEEP	A	MAX. LOAD
FLSH2410	24"	30 lbs.
FLSH3010	30"	37 lbs.
FLSH3610	36"	45 lbs.
FLSH4210	42"	52 lbs.
FLSH4810	48"	60 lbs.

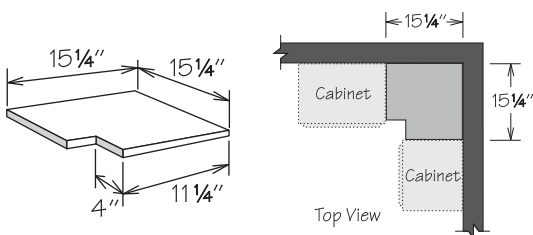
Finished Shelf



- Standard finished shelves feature veneered engineered wood, edge banded on all sides with top and bottom finished to match cabinet box exterior
- Field trimmable

STANDARD	A
FS4812	48 1/4"
FS6012	60 1/4"
FS7212	72 1/4"

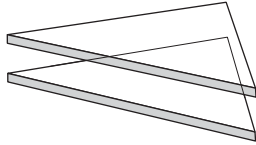
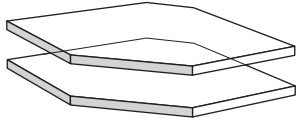
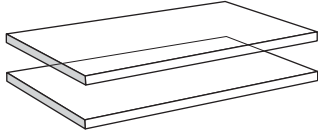
Blind Corner Closure



- Features 1/2" engineered wood finished with natural woodgrain finish on both sides
- Field trimmable

BLC1515

Glass Shelf Kit



- Glass Shelf Kit includes two ¼" high-strength tempered glass shelves
- Can be used with existing shelf rests or order SHELF REST MFD PK separately
- Refer to individual SKU box for number of shelves required and/or available
- GSK12 - GSK36 is 10¼" deep
- GSK12-15 - GSK36-15 is 13¼" deep
- Tempered glass cannot be field trimmed
- Glass Shelf Kits 12" - 24" wide have a 15 lb. per square foot load rating
- Glass Shelf Kits 27" - 36" wide have a 5 lb. per square foot load rating

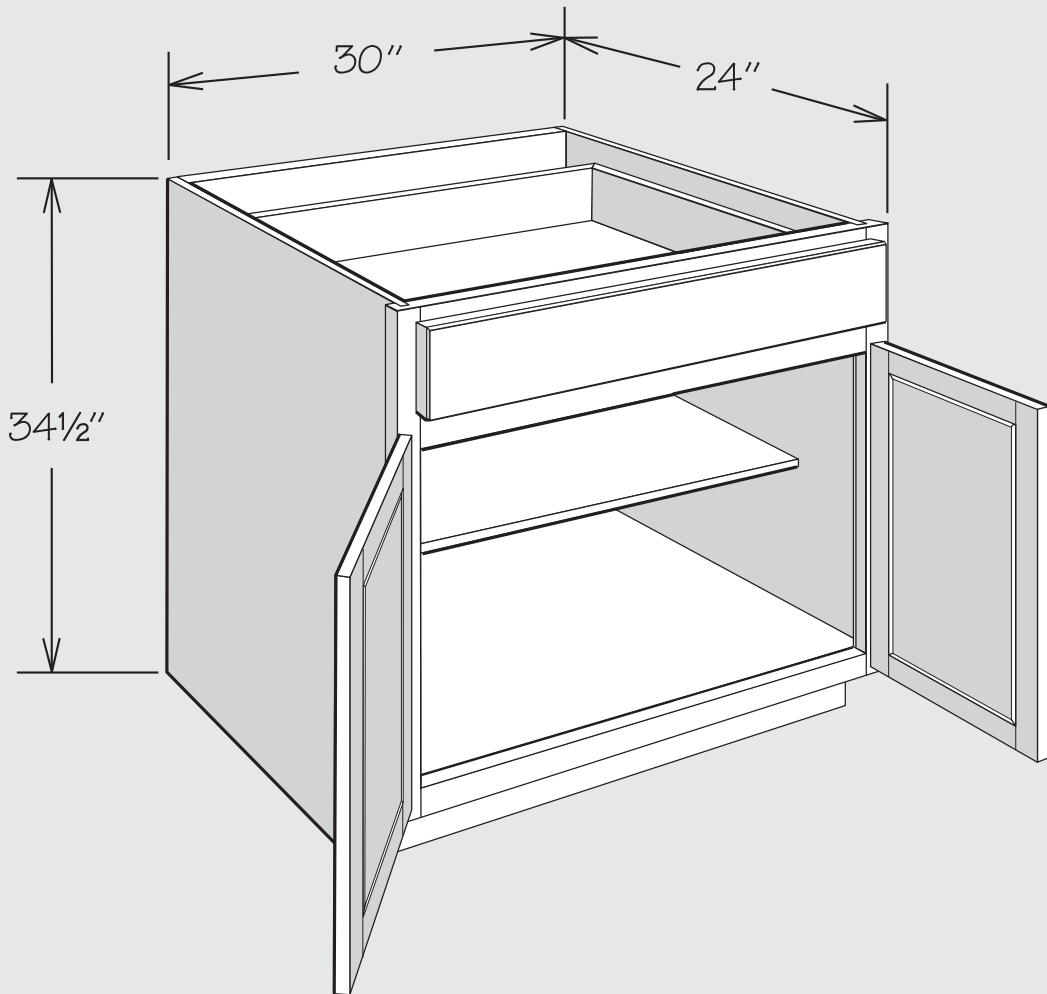
12" DEEP

GSK12
 GSK15
 GSK18
 GSK21
 GSK24
 GSK27
 GSK30
 GSK33
 GSK36
 GSKCW24
 GSKWEA12

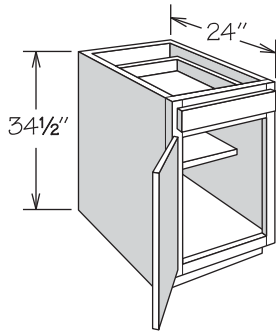
15" DEEP

GSK12-15
 GSK15-15
 GSK18-15
 GSK21-15
 GSK24-15
 GSK27-15
 GSK30-15
 GSK33-15
 GSK36-15
 GSKCW27

BASE CABINETS



Base Cabinet • 1 Door and 1 Drawer



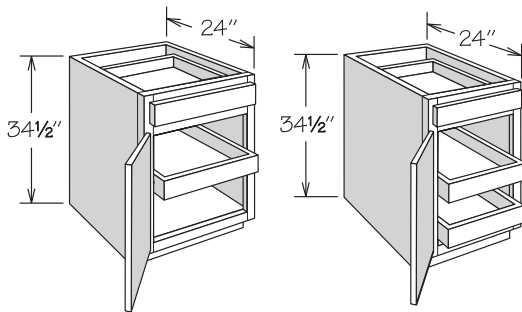
- Half-depth adjustable shelf
- Hinged left and can be reversed in the field

1 SHELF

B12
B15
B18
B21
B24

CFO
FDS
IF
RD
RTK
VTK

Base Cabinet • 1 Door, 1 Drawer and Sliding Shelves



1 SLIDING SHELF

2 SLIDING SHELVES

- Sliding shelves are not adjustable
- Engineered wood sliding shelves with solid hardwood front, MDF bottom, and side-mounted drawer glides
- Hinged left and can be reversed in the field

1 SLIDING SHELF

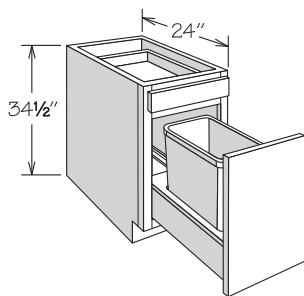
B12 SS1
B15 SS1
B18 SS1
B21 SS1
B24 SS1

2 SLIDING SHELVES

B12 SS2
B15 SS2
B18 SS2
B21 SS2
B24 SS2

RD
RTK
VTD
VTK

Base Cabinet • 1 Drawer and Door with Wastebasket Pull-Out



1 WASTEBASKET

- Wastebasket pull-out features heavy-duty full-extension glides (100 pound rated)
- Wastebasket rests in a natural finish wood frame
- BWBB15 features one silver plastic 35-quart capacity bin
- BWBB15-2 features two silver plastic 27-quart capacity bins
- BWBB18-2 and BWBB21-2 feature two silver plastic 35-quart capacity bins
- Decorative hardware strongly recommended

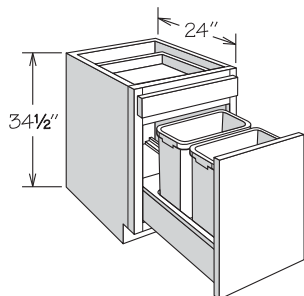
1 WASTEBASKET

BWBB15

2 WASTEBASKETS

BWBB15-2
BWBB18-2
BWBB21-2

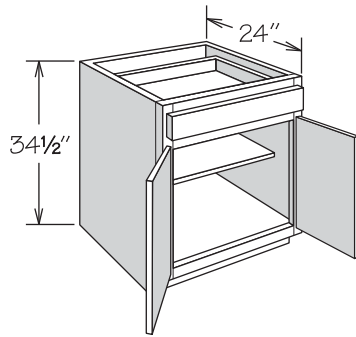
IF
RTK
VTK



2 WASTEBASKETS

Base Cabinet • 2 Butt Doors and 1 Drawer

CFO
FDS
IF
RD
RTK
VTK



- Half-depth adjustable shelf

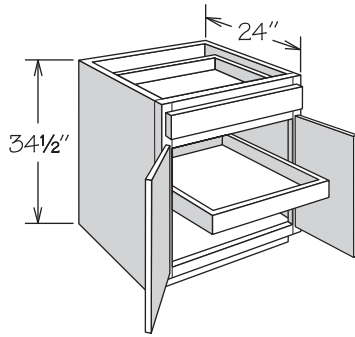
1 SHELF

B24 BUTT
B27 BUTT
B30 BUTT

B33 BUTT
B36 1TD BUTT

Base Cabinet • 2 Butt Doors, 1 Drawer and Sliding Shelves

RD
RTK
VTD
VTK



1 SLIDING SHELF

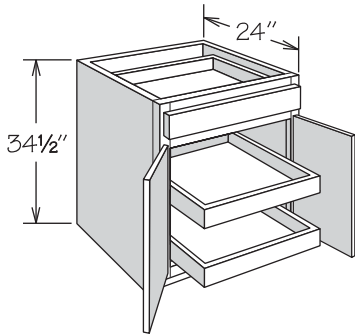
- Sliding shelves are not adjustable
- Engineered wood sliding shelves with solid hardwood front, MDF bottom, and side-mounted drawer glides

1 SLIDING SHELF

B24 SS1 BUTT
B27 SS1 BUTT
B30 SS1 BUTT
B33 SS1 BUTT
B36 SS1 1TD BUTT

2 SLIDING SHELVES

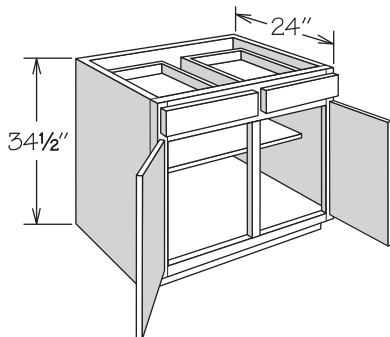
B24 SS2 BUTT
B27 SS2 BUTT
B30 SS2 BUTT
B33 SS2 BUTT
B36 SS2 1TD BUTT



2 SLIDING SHELVES

Base Cabinet • 2 Doors and 2 Drawers

CFO
FDS
IF
RD
RTK
VTK



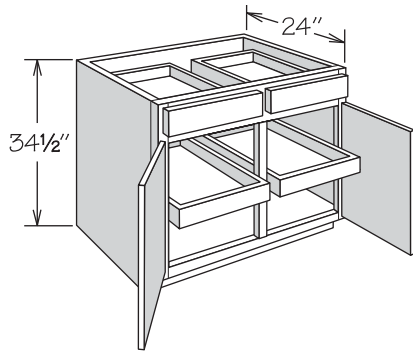
- Half-depth adjustable shelf
- Center support for shelf provided

1 SHELF

B39
B42
B48

Base Cabinet • 2 Doors, 2 Drawers and Sliding Shelves

RD
RTK
VTD
VTK



2 SLIDING SHELVES

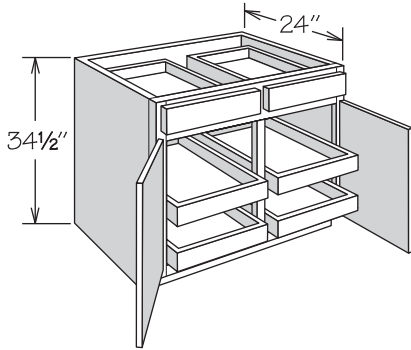
- Sliding shelves are not adjustable
- Engineered wood sliding shelves with solid hardwood front, MDF bottom, and side-mounted drawer glides

2 SLIDING SHELVES

B39 SS1
B42 SS1
B48 SS1

4 SLIDING SHELVES

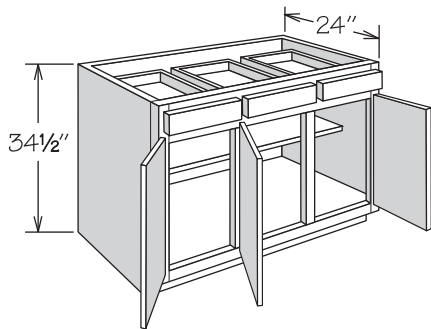
B39 SS2
B42 SS2
B48 SS2



4 SLIDING SHELVES

Base Cabinet • 3 Doors and 3 Drawers

CFO
FDS
IF
RD
RTK
VTK



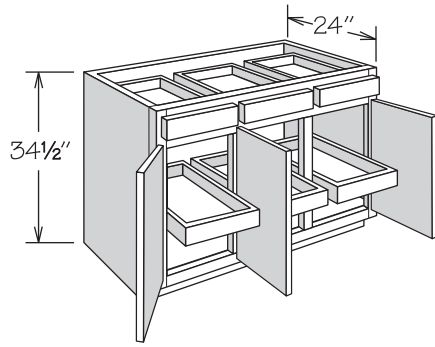
- Half-depth adjustable shelf
- Center support for shelf provided
- Hinged as shown - can be reversed in the field

1 SHELF

B45

Base Cabinet • 3 Doors, 3 Drawers and Sliding Shelves

RD
RTK
VTD
VTK



3 SLIDING SHELVES

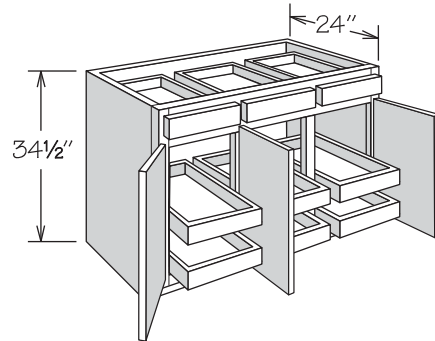
- Sliding shelves are not adjustable
- Engineered wood sliding shelves with solid hardwood front, MDF bottom, and side-mounted drawer glides
- Hinged as shown – can be reversed in the field

3 SLIDING SHELVES

B45 SS1

6 SLIDING SHELVES

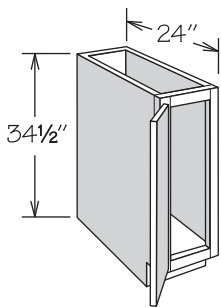
B45 SS2



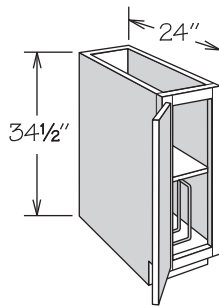
6 SLIDING SHELVES

Full-Height Base Cabinet • 1 Door

CFO ■
RD
RTK
VTK



NO SHELF



1 SHELF & TRAY DIVIDER

- Full-height door
- Recessed Toe Kick Option available left (RTKL) or right (RTKR) only
- TB9 TDS is only available with RD-23 though RD-14
- TB9 TDS features full-depth adjustable shelf (S924) and Tray Divider (TD3) packaged separately for field installation
- Hinged left and can be reversed in the field

NO SHELF

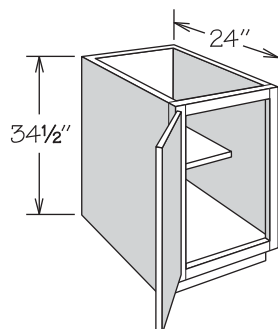
TB9 ■

1 SHELF & TRAY DIVIDER

TB9 TDS

Full-Height Base Cabinet • 1 Door

CFO
FDS
RD
RTK
VTK



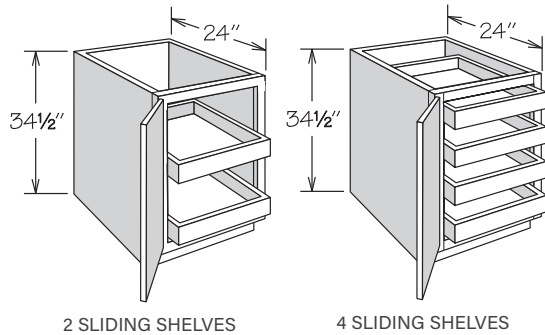
- Half-depth adjustable shelf
- Full-height door
- Hinged left and can be reversed in the field

1 SHELF

B12 FH
B15 FH
B18 FH
B21 FH
B24 FH

Full-Height Base Cabinet • 1 Door and Sliding Shelves

RD
RTK
VTK



- Full-height door
- Sliding shelves are not adjustable
- Engineered wood sliding shelves with solid hardwood front, MDF bottom, and side-mounted drawer glides
- Distance between two sliding shelves is 10 ¹³/₁₆"
- Distance between four sliding shelves is 4 ⁷/₁₆"
- Hinged left and can be reversed in the field

2 SLIDING SHELVES

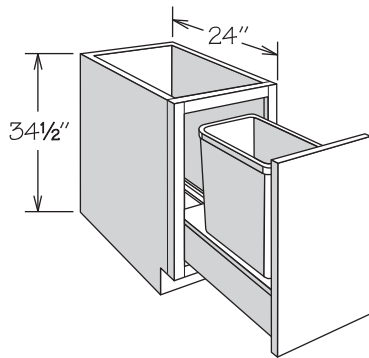
B12 FH SS2
B15 FH SS2
B18 FH SS2
B21 FH SS2
B24 FH SS2

4 SLIDING SHELVES

B12 FH SS4
B15 FH SS4
B18 FH SS4
B21 FH SS4
B24 FH SS4

Full-Height Base Cabinet • 1 Door with Wastebasket Pull-Out

RTK
VTK



1 WASTEBASKET

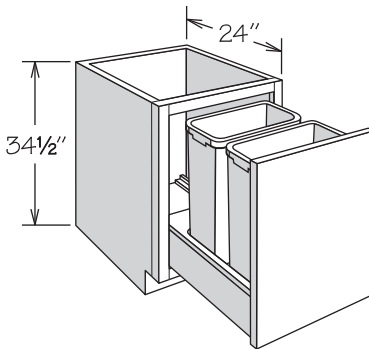
- Wastebasket pull-out features heavy-duty full-extension glides (100 pound rated)
- Full-height door
- Wastebasket rests in a natural finish wood frame
- BWBB15 FH and BWBB18 FH features one silver plastic 50-quart capacity bin
- BWBB21-2 FH features two silver plastic 50-quart capacity bins
- Decorative hardware strongly recommended

1 WASTEBASKET

BWBB15 FH
BWBB18 FH

2 WASTEBASKETS

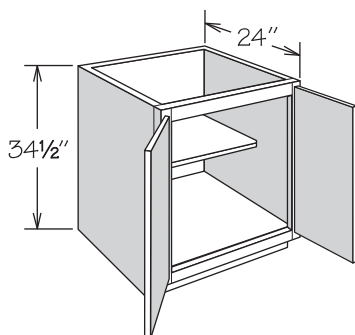
BWBB21-2 FH



2 WASTEBASKETS

Full-Height Base Cabinet • 2 Butt Doors

CFO
FDS
RD
RTK
VTK



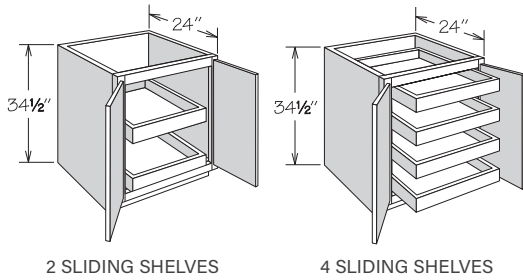
- Half-depth adjustable shelf
- Full-height butt doors

1 SHELF

B24 BUTT FH
B27 BUTT FH
B30 BUTT FH
B33 BUTT FH
B36 BUTT FH

Full-Height Base Cabinet • 2 Butt Doors and Sliding Shelves

RD
RTK
VTK



- Full-height butt doors
- Sliding shelves are not adjustable
- Engineered wood sliding shelves with solid hardwood front, MDF bottom, and side-mounted drawer glides
- Distance between two sliding shelves is 10¹³/₁₆"
- Distance between four sliding shelves is 4⁷/₁₆"

2 SLIDING SHELVES

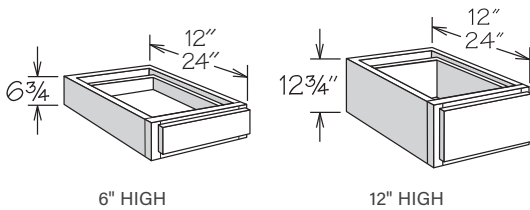
B24 BUTT FH SS2
B27 BUTT FH SS2
B30 BUTT FH SS2
B33 BUTT FH SS2
B36 BUTT FH SS2

4 SLIDING SHELVES

B24 BUTT FH SS4
B27 BUTT FH SS4
B30 BUTT FH SS4
B33 BUTT FH SS4
B36 BUTT FH SS4

Furniture Drawer Cabinet • 1 Drawer

CFO
RD ■
VTK



- 6" high features one standard drawer and 12" high features one large drawer
- 24" deep Furniture Drawer Cabinets are only available with RD-23 through RD-13
- Bottom of cabinet frame must be fully supported

6" HIGH • 1 DRAWER

12" Deep

FD121206
FD151206
FD181206
FD211206
FD241206
FD271206
FD301206
FD331206
FD361206

24" Deep

FD122406 ■
FD152406 ■
FD182406 ■
FD212406 ■
FD242406 ■
FD272406 ■
FD302406 ■
FD332406 ■
FD362406 ■

12" HIGH • 1 DRAWER

12" Deep

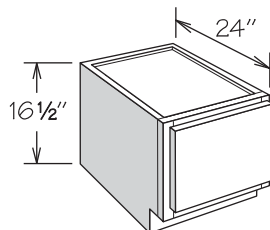
FD121212
FD151212
FD181212
FD211212
FD241212
FD271212
FD301212
FD331212
FD361212

24" Deep

FD122412 ■
FD152412 ■
FD182412 ■
FD212412 ■
FD242412 ■
FD272412 ■
FD302412 ■
FD332412 ■
FD362412 ■

Pedestal Drawer Cabinet • 1 Drawer

CFO
RD
RTK
VTK

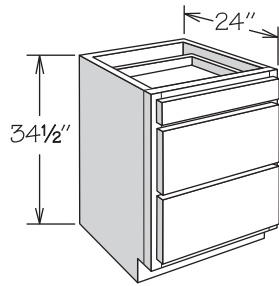


- One large drawer
- Features solid top

1 DRAWER

PD1217 1DWR
PD1517 1DWR
PD1817 1DWR
PD2117 1DWR
PD2417 1DWR
PD2717 1DWR
PD3017 1DWR
PD3317 1DWR
PD3617 1DWR

Drawer Base Cabinet • 3 Drawers



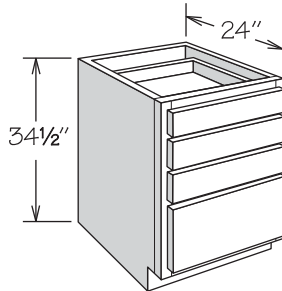
- One standard and two large drawers

CFO
RD
RTK
VTD
VTK

3 DRAWERS

DB12
DB15
DB18
DB21
DB24
DB27
DB30
DB33
DB36 1TD

Drawer Base Cabinet • 4 Drawers



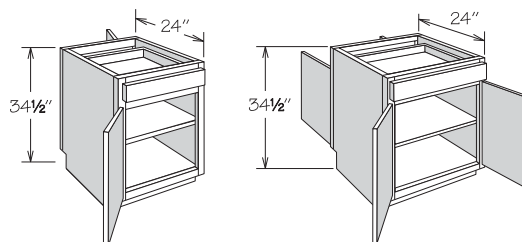
- One large and three standard drawers

CFO
RD
RTK
VTD
VTK

4 DRAWERS

DB12 4DWR
DB15 4DWR
DB18 4DWR
DB21 4DWR
DB24 4DWR

Peninsula Base • 1 Drawer



2 DOORS

4 BUTT DOORS

- Full-depth adjustable shelf
- Drawer accessible on one side only
- Panel on opposite side of drawer
- When selecting the Recessed Toe Kick Option, the drawer side indicates the front of the cabinet
- Single door cabinets are hinged left and can be reversed in the field

RD
RTK
VTD
VTK

2 DOORS

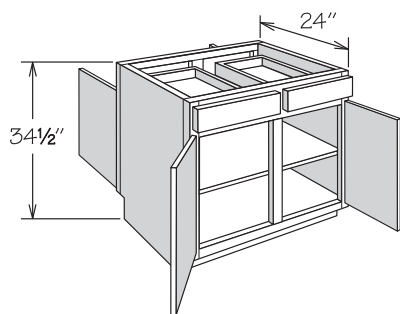
PB12
PB18
PB24

4 BUTT DOORS

PB24 BUTT
PB30 BUTT
PB36 1TD BUTT

Peninsula Base • 2 Drawers

RD
RTK
VTD
VTK



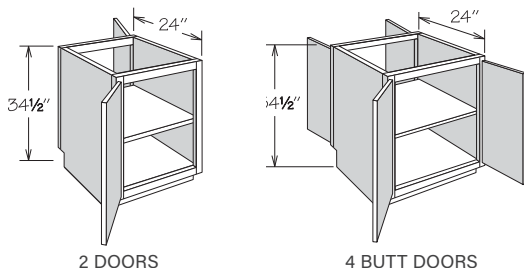
- Full-depth adjustable shelf
- Drawers accessible on one side only
- Features two panels on opposite side of drawers
- When selecting the Recessed Toe Kick Option, the drawer side indicates the front of the cabinet

4 DOORS

PB42

Full-Height Peninsula Base

RD
RTK
VTK



2 DOORS

4 BUTT DOORS

- Full-height doors
- Full-depth adjustable shelf
- Single door cabinets are hinged left and can be reversed in the field

2 DOORS

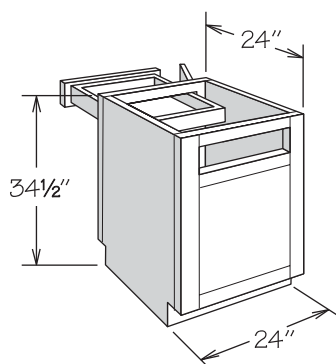
PB12 FH
PB18 FH

4 BUTT DOORS

PB24 BUTT FH
PB30 BUTT FH
PB36 BUTT FH

Blind Peninsula Corner Base

FDS
RD



- Half-depth adjustable shelf
- Can be installed left or right
- Universal Fillers are recommended for use between PBC24 and wall and adjoining base cabinet or appliance for hardware clearance and proper door operation
- Cabinet may require pulling from wall – refer to the chart below for specifications
- Roll-out accessories are not recommended
- Must order Universal Fillers separately
- PBC24 is hinged left and can be reversed in the field

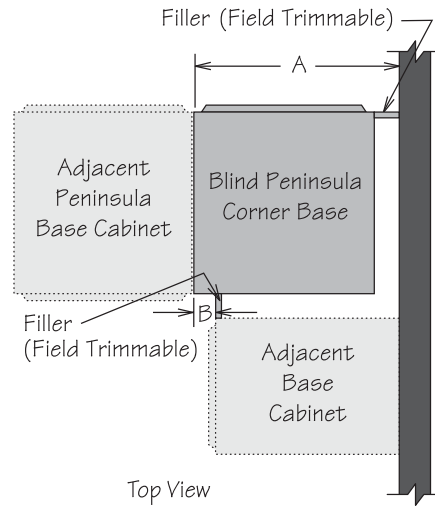
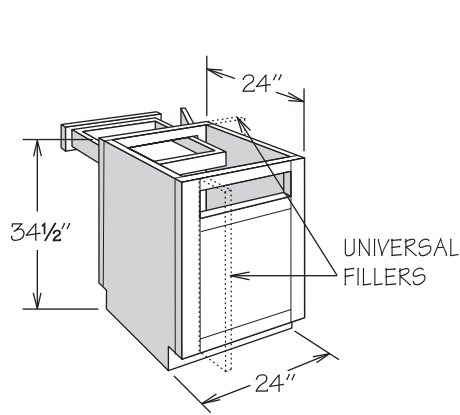
1 DOOR

PBC24

2 BUTT DOORS

PBC24 BUTT

BLIND PENINSULA CORNER BASE INSTALLATION CHART



Full Overlay Door Styles

Full overlay door styles require decorative hardware, which has been calculated into dimensions.

*Must use these dimensions if optional Overlay Fillers will be used.

Cabinet	Actual Cabinet Width	Door Opening	Door(s)	Wall Space A			Exposed Frame B		Filler (at wall)	
				Min. Space	Max. Pull	Max. Space*	Min. Space	Max. Space*	Min.	Max.*
PBC24	24"	20 3/4"	DR2424	26 1/4"	3/4"	27"	2 1/4"	3"	2 1/4"	3"
PBC24 BUTT	24"	20 3/4"	DR1224 BUTT (2)	26 1/4"	3/4"	27"	2 1/4"	3"	2 1/4"	3"

Partial Overlay Door Styles

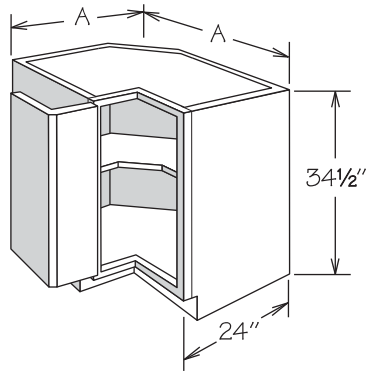
Wall Space A requirements include optional decorative hardware clearance.

1/4" may be deducted if decorative hardware is not used.

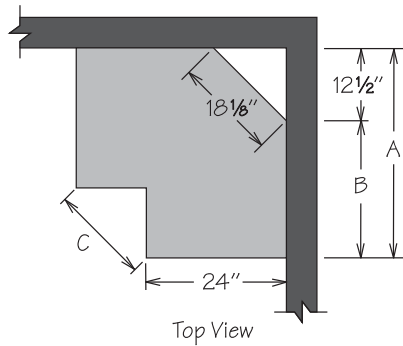
Cabinet	Actual Cabinet Width	Door Opening	Door(s)	Wall Space A			Exposed Frame B		Filler (at wall)	
				Min. Space	Max. Pull	Max. Space	Min. Space	Max. Space	Min.	Max.
PBC24	24"	20 3/4"	DR2424	25 3/8"	1 5/8"	27"	1 3/8"	3"	1 3/8"	3"
PBC24 BUTT	24"	20 3/4"	DR1224 BUTT (2)	25 3/8"	1 5/8"	27"	1 3/8"	3"	1 3/8"	3"

Base Easy Reach

VTK



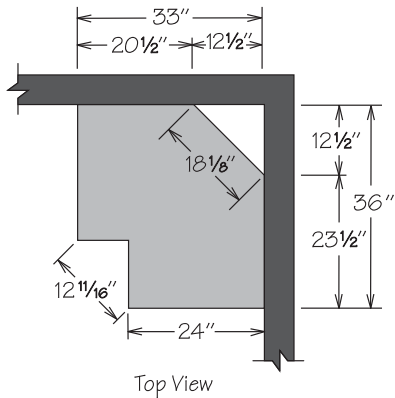
- Features a solid top
- One adjustable half-depth shelf (non-removable)
- All door styles must be ordered hinged left or right
- Sides are finished
- Stile width and outside profile of both doors at door-to-door hinge may vary from standard dimension and profile for proper door function
- Doors open 170°
- Recommend a minimum of 32" to fit through doorway
- Additional space recommended if appliance is installed on the hinge side of this cabinet for proper door operation - decorative hardware should be taken into consideration for the overall depth of appliance



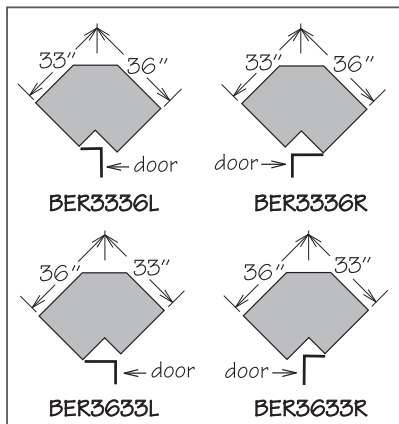
SHELF	A	B	C
BER33	33"	20 1/2"	10 7/8"
BER36	36"	23 1/2"	14 5/8"

Asymmetrical Base Easy Reach

VTK



- Features a solid top
- One adjustable half-depth shelf (non-removable)
- All door styles must be ordered hinged left or right
- Sides are finished
- Stile width and outside profile of both doors at door-to-door hinge may vary from standard dimension and profile for proper door function
- Doors open 170°
- Recommend a minimum of 32" to fit through doorway
- Additional space recommended if appliance is installed on the hinge side of this cabinet for proper door operation - decorative hardware should be taken into consideration for the overall depth of appliance

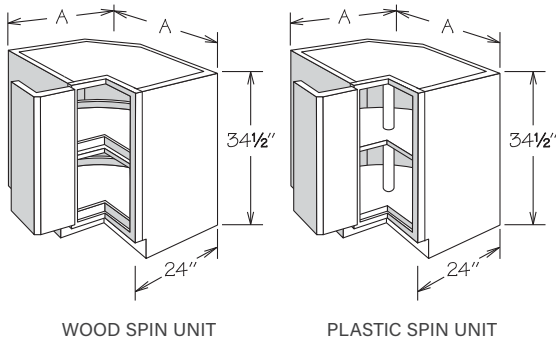


SHELF

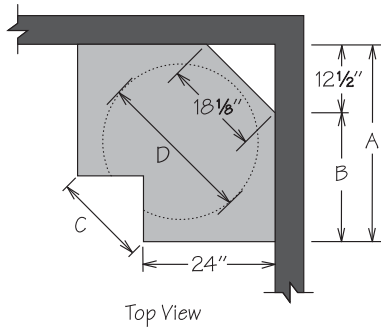
BER3336
BER3633

Base Super Susan • Spin Unit

VTK



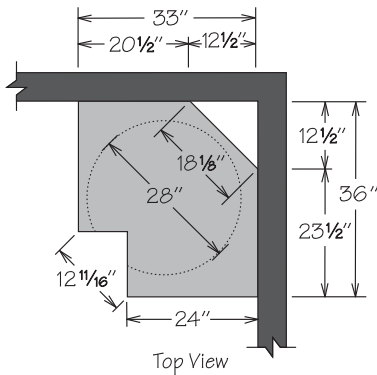
- Features a solid top
- All door styles must be ordered hinged left or right
- Sides are finished
- Stile width and outside profile of both doors at door-to-door hinge may vary from standard dimension and profile for proper door function
- Doors open 170°
- Recommend a minimum of 32" to fit through doorway
- Additional space recommended if appliance is installed on the hinge side of this cabinet for proper door operation – decorative hardware should be taken into consideration for the overall depth of appliance
- Wood Spin Units feature:
 - » One fixed spin unit mounted on cabinet floor
 - » One spin unit attached to 3/4" adjustable shelf
 - » Natural wood finish with 1" lip
- Plastic Spin Units feature:
 - » Two spin shelves with pole (top shelf adjustable)
 - » White high strength plastic shelves



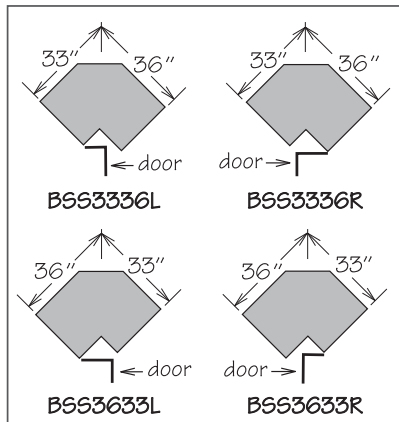
	A	B	C	D
Wood Spin Unit				
BSS33 WD	33"	20 1/2"	10 7/16"	28"
BSS36 WD	36"	23 1/2"	14 5/8"	32"
Plastic Spin Unit				
BSS33	33"	20 1/2"	10 7/16"	28"
BSS36	36"	23 1/2"	14 5/8"	32"

Asymmetrical Base Super Susan • Spin Unit

VTK



- Features a solid top
- All door styles must be ordered hinged left or right
- Sides are finished
- Stile width and outside profile of both doors at door-to-door hinge may vary from standard dimension and profile for proper door function
- Doors open 170°
- Recommend a minimum of 32" to fit through doorway
- Additional space recommended if appliance is installed on the hinge side of this cabinet for proper door operation – decorative hardware should be taken into consideration for the overall depth of appliance
- Wood Spin Units feature:
 - » One fixed spin unit mounted on cabinet floor
 - » One spin unit attached to 3/4" adjustable shelf
 - » Natural wood finish with 1"
- Plastic Spin Units features:
 - » Two spin shelves with pole (top shelf adjustable)
 - » White high strength plastic shelves



WOOD SPIN UNIT

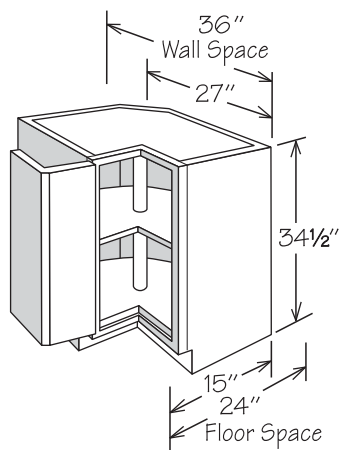
BSS3336 WD
BSS3633 WD

PLASTIC SPIN UNIT

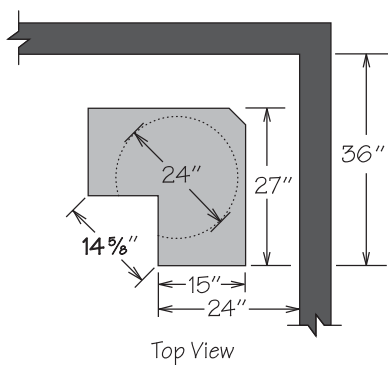
BSS3336
BSS3633

Corner Base Carousel • Spin Unit

VTK



- Features a solid top
- All door styles must be ordered hinged left or right
- Sides are unfinished
- Stile width and outside profile of both doors at door-to-door hinge may vary from standard dimension and profile for proper door function
- Doors open 170°
- If unit has an exposed side, order end panel separately
- Additional support for countertop in back is necessary
- Additional space recommended if appliance is installed on the hinge side of this cabinet for proper door operation – decorative hardware should be taken into consideration for the overall depth of appliance
- Unit must be pulled to install in a 36" x 36" space
- Wood Spin Units feature:
 - » Two natural finish solid hardwood spin shelves with pole (top shelf adjustable)
- Plastic Spin Units feature:
 - » Two white high strength plastic spin shelves with pole (top shelf adjustable)

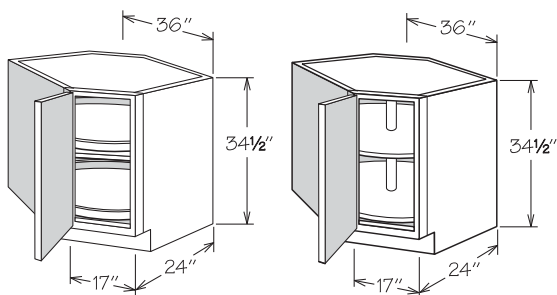


WOOD SPIN UNIT
CAR36 WD

PLASTIC SPIN UNIT
CAR36

Corner Base • Spin Unit

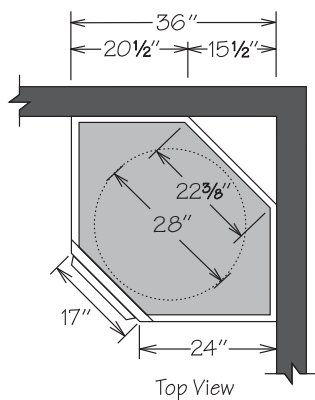
VTK



WOOD SPIN UNIT

PLASTIC SPIN UNIT

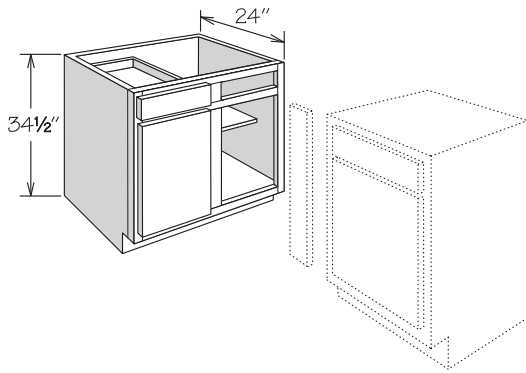
- Sides are finished
- Cabinet requires a minimum of 34" to fit through doorway
 - » White high strength plastic shelves
- Additional space recommended if appliance is installed on the hinge side of this cabinet for proper door operation – decorative hardware should be taken into consideration for the overall depth of appliance
- Cabinet features solid top
- Wood Spin Units feature:
 - » One fixed spin unit mounted on cabinet floor
 - » One spin unit attached to 3/4" adjustable shelf
 - » Natural wood finish with 1" lip
- Plastic Spin Units feature:
 - » Two spin shelves with pole (top shelf adjustable)
- Hinged left and can be reversed in the field



WOOD SPIN UNIT
CBS36 WD

PLASTIC SPIN UNIT
CBS36

Blind Corner Base



- Half-depth adjustable shelf
- Blind base door and drawer are installed in the left section
- Door and drawer can be reversed in the field as blind sections are identical
- Includes 1/8" panel to cover blind opening (field trim and install)
- Refer to the chart below for specifications
- Recessed Toe Kick Both Option (RTKB) available only
- Must order Universal Filler separately
- Center support for shelf provided (excluding BLB36/39)

CFO
FDS
RD
RTK
VTK

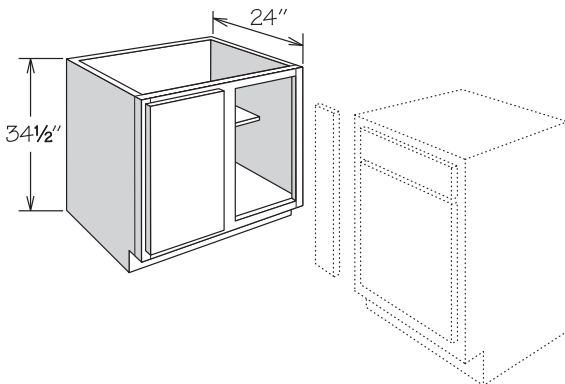
1 SHELF

BLB36/39
BLB39/42
BLB42/45
BLB45/48
BLB48/51

Full Height Blind Corner Base

NEW!

SIZES



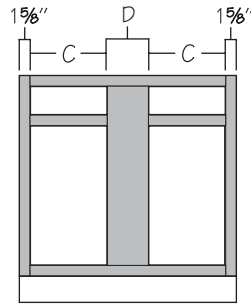
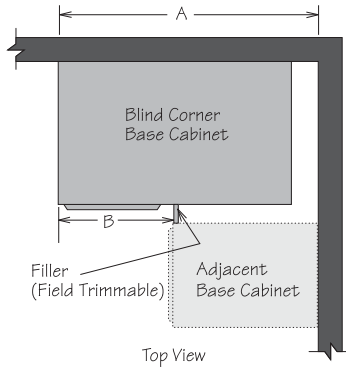
- Half-depth adjustable shelf
- Center support for shelf provided (excluding BLB36/39 FH)
- Blind base door is installed in the left section
- Door can be reversed in the field as blind sections are identical
- Includes 1/8" panel to cover blind opening (field trim and install)
- Refer to the chart for specifications
- Recessed Toe Kick Both Option (RTKB) available only
- Must order Universal Filler separately

CFO
FDS
RD
RTK
VTK

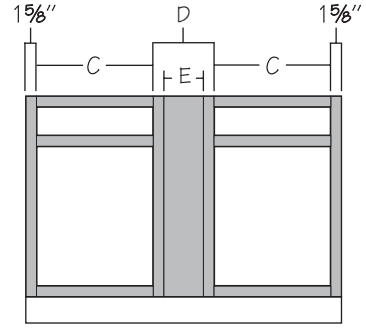
1 SHELF

BLB36/39 FH
BLB39/42 FH
BLB42/45 FH
BLB45/48 FH
BLB48/51 FH

BLIND CORNER BASE INSTALLATION CHART



BLB36/39 - BLB45/48
BLB36/39 FH - BLB42/45 FH



BLB45/48 FH, BLB48/51, BLB48/51 FH

Partial Overlay Door Styles

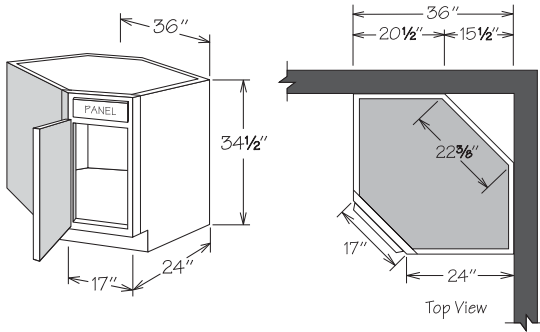
Wall Space A requirements include optional decorative hardware clearance.

1 1/4" may be deducted if decorative hardware is not used.

Cabinet	Actual Cabinet Width	Wall Space A			Exposed Frame B		C Door Opening	Door(s)	D	E
		Minimum Space	Maximum Pull	Maximum Space	Minimum Space	Maximum Space				
BLB36/39	27"	37 3/8"	2 5/8"	40"	13 3/8"	16"	8 3/4"	DR1224	6 1/4"	-
BLB36/39 FH	27"	37 3/8"	2 5/8"	40"	13 3/8"	16"	8 3/4"	DR1230	6 1/4"	-
BLB39/42	33"	40 3/8"	2 5/8"	43"	16 3/8"	19"	11 3/4"	DR1524	6 1/4"	-
BLB39/42 FH	33"	40 3/8"	2 5/8"	43"	16 3/8"	19"	11 3/4"	DR1530	6 1/4"	-
BLB42/45	39"	43 3/8"	2 5/8"	46"	19 3/8"	22"	14 3/4"	DR1824	6 1/4"	-
BLB42/45 FH	39"	43 3/8"	2 5/8"	46"	19 3/8"	22"	14 3/4"	DR1830	6 1/4"	-
BLB45/48	45"	46 3/8"	2 5/8"	49"	22 3/8"	25"	17 3/4"	DR2124	6 1/4"	-
BLB45/48 FH	45"	46 3/8"	2 5/8"	49"	22 3/8"	25"	17 3/4"	DR2130	6 1/4"	3"
BLB48/51	48"	48"	4"	52"	24"	28"	17 3/4"	DR2124	9 1/4"	6"
BLB48/51 FH	48"	48"	4"	52"	24"	28"	17 3/4"	DR2130	9 1/4"	6"

Corner Sink Base • 1 Door

VTK

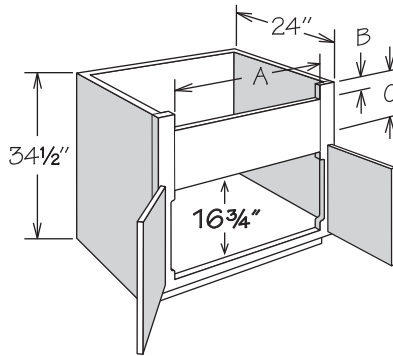


- No shelf
- Sides are finished
- Cabinet requires a minimum of 34" to fit through doorway
- Additional space recommended if appliance is installed on either side of this cabinet for proper appliance door operation
- Cabinet features solid top which must be field cut for sink installation as per manufacturer's specifications
- Maximum sink width is 22 3/4" if cut out is 4" back from face of front frame
- Refer to sink manufacturer's specifications for adequate clearance and required installation materials
- Hinged left and can be reversed in the field
- Touch Up Kit included

CSB36

Deep Sink/Range Base • 2 Butt Doors

RD
RTK
VTK

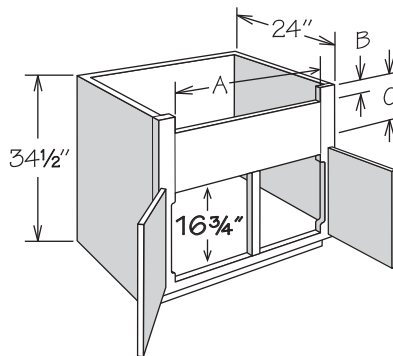


- No shelf
- Accommodates farm sinks
- Apron stiles are 3/8" wide and trimmable
- A cutout exists in the door area where the 3/8" stiles are routed to 1/8"
- Refer to sink or appliance manufacturer's specifications for adequate clearance and required installation materials
- Touch Up Kit included

	A-MIN.	A-MAX.	B	C-POL
DSB30 BUTT	23 3/4"	28"	2 7/8"	10 1/2"
DSB33 BUTT	26 3/4"	31"	2 7/8"	10 1/2"
DSB36 BUTT	29 3/4"	34"	2 7/8"	10 1/2"

Deep Sink/Range Base • 2 Doors

RD
RTK
VTK

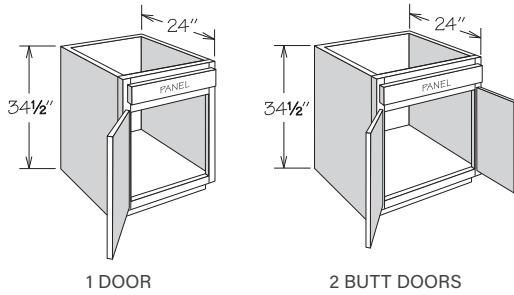


- No shelf
- Accommodates farm sinks
- Apron stiles are 3/8" wide and trimmable
- A cutout exists in the door area where the 3/8" stiles are routed to 1/8"
- Refer to sink or appliance manufacturer's specifications for adequate clearance and required installation materials
- Touch Up Kit included

	A-MIN.	A-MAX.	B	C-POL
DSB39	32 3/4"	37"	2 7/8"	10 1/2"

Sink/Cooktop Base

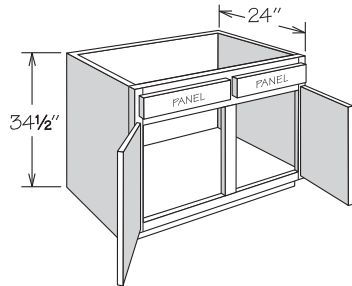
RD
RTK
VTK



1 DOOR

2 BUTT DOORS

- No shelf
- Full-height back
- Subtract 1 1/2" from width and depth for available sink bowl opening
- Refer to sink or appliance manufacturer's specifications for adequate clearance and required installation materials
- Touch Up Kit included
- Single door cabinets are hinged left and can be reversed in the field



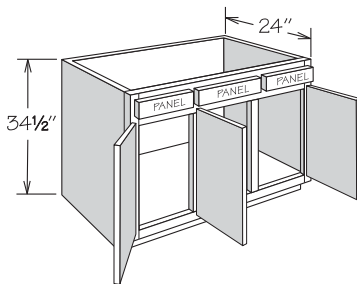
2 DOORS

1 DOOR

SB18
SB21
SB24

2 BUTT DOORS

SB24 BUTT
SB27 BUTT
SB30 BUTT
SB33 BUTT
SB36 BUTT



3 DOORS

2 DOORS

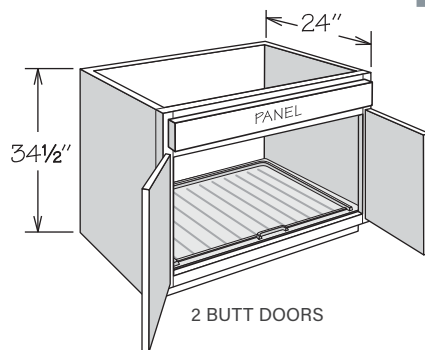
SB39
SB42
SB48

3 DOORS

SB45

Sink Base • 1 Sink Base Mat **NEW!** PRODUCT

RD
RTK
VTK



2 BUTT DOORS

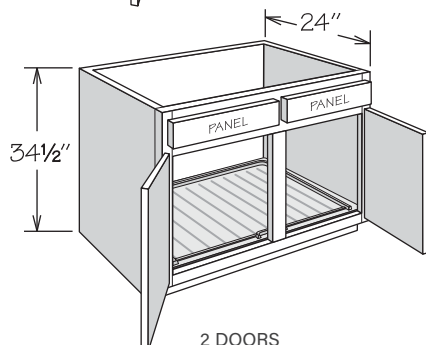
- No shelf
- Full-height back
- Subtract 1 1/2" from width and depth for available sink bowl opening
- Refer to sink or appliance manufacturer's specifications for adequate clearance and required installation materials
- Touch Up Kit included
- Sink Base Mat is shipped separately for field installation
- Sink Base Mat for SB39 is notched for center stile

2 BUTT DOORS

SB30 BUTT SBMAT
SB33 BUTT SBMAT
SB36 BUTT SBMAT

2 DOORS

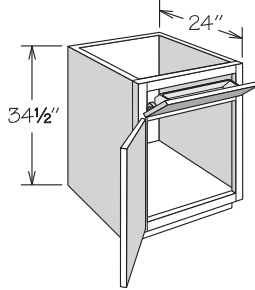
SB39 SBMAT



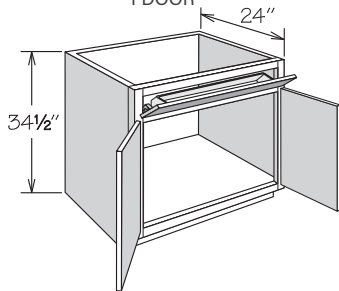
2 DOORS

Sink Base • Stainless Tilt-Out Tray(s)

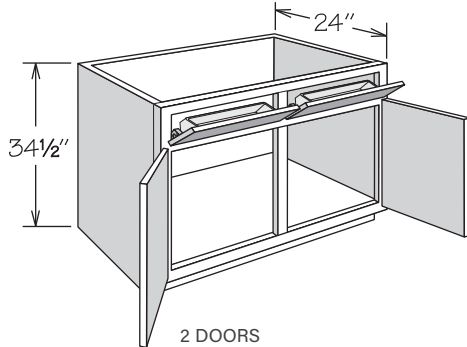
RD
RTK
VTK



1 DOOR



2 BUTT DOORS



2 DOORS

- No shelf
- Full-height back
- Subtract 1 1/2" from width and 3 3/4" from depth for available sink bowl opening
- Tilt-Out Trays are NOT dishwasher safe
- Refer to sink manufacturer's specifications for adequate clearance and required installation materials
- Touch Up Kit included
- Single door cabinets are hinged left and can be reversed in the field

1 DOOR

SB21 STO
SB24 STO

2 DOORS

SB39 STO
SB42 STO
SB48 STO

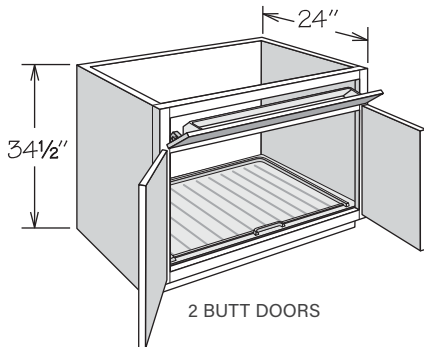
2 BUTT DOORS

SB24 BUTT STO
SB27 BUTT STO
SB30 BUTT STO
SB33 BUTT STO
SB36 BUTT STO

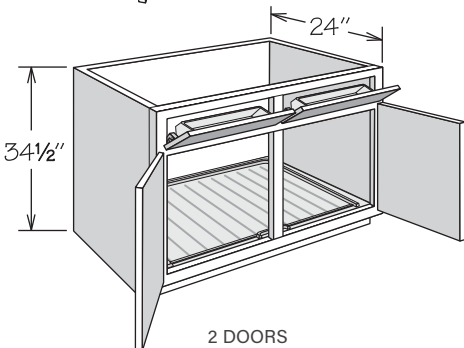
Sink Base • 1 Sink Base Mat and Tilt-Out Tray(s)

NEW! PRODUCT

RTK
VTK



2 BUTT DOORS



2 DOORS

- No shelf
- Full-height back
- Subtract 1 1/2" from width and depth for available sink bowl opening
- Tilt-out Trays are NOT dishwasher safe
- Refer to sink manufacturer's specifications for adequate clearance and required installation materials
- Touch Up Kit included
- Sink Base Mat is shipped separately for field installation
- Sink Base Mat for SB39 is notched for center stile

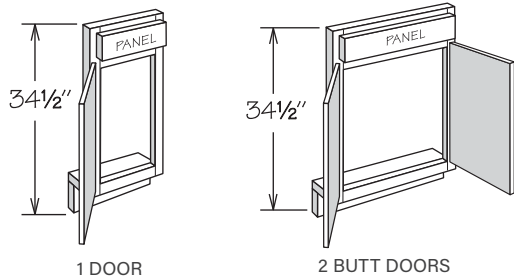
2 BUTT DOORS

SB30 BUTT STO SBMAT
SB33 BUTT STO SBMAT
SB36 BUTT STO SBMAT

2 DOORS

SB39 STO SBMAT

Sink/Cooktop Front



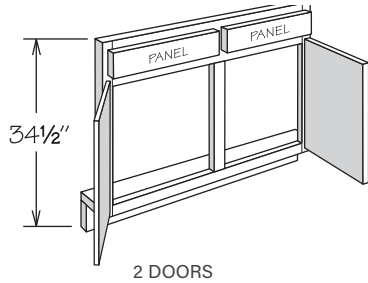
- SF45 is hinged as shown – can be reversed in the field
- Order floor and returns separately (field trimming may be required) – refer to Panel Section for availability (page 139)

1 DOOR

SF12
SF15
SF18
SF21
SF24

2 BUTT DOORS

SF24 BUTT
SF27 BUTT
SF30 BUTT
SF33 BUTT
SF36 BUTT

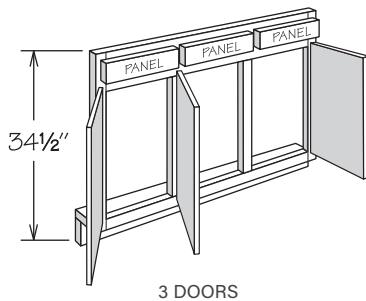


2 DOORS

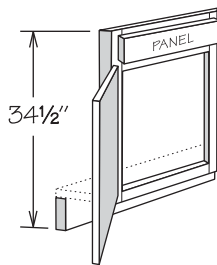
SF39
SF42
SF48

3 DOORS

SF45

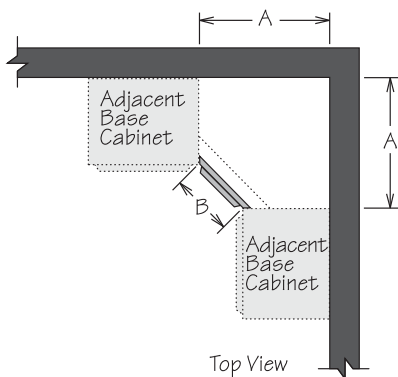


Corner Sink Front



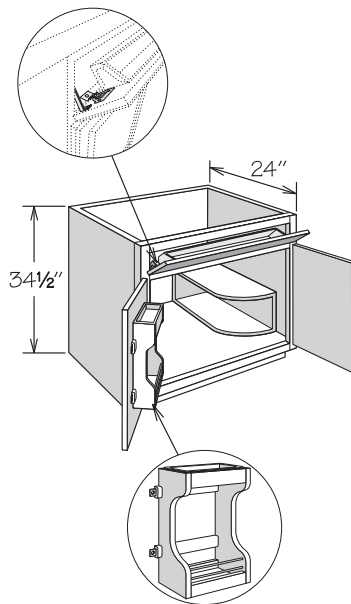
- Vertical edges of frame are mitered to attach to adjacent cabinet frames
- Order floor and returns separately (field trimming may be required) – refer to Panel Section for availability (page 139)
- Filler not required for installation

	A	B
CSF36	35 ³¹ / ₃₂ "	16 ¹⁵ / ₁₆ "
CSF42	42 ¹¹ / ₃₂ "	25 ¹⁵ / ₁₆ "



Sink Base Multi-Storage Cabinet

RTK
VTK

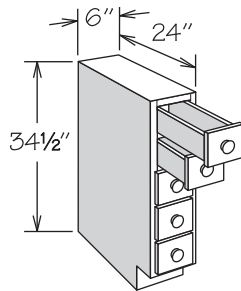


- **UPDATE:** Cabinet features:
 - » Factory installed Sink Base Door Storage Unit
 - » One Stainless Tilt-Out Tray
 - » Sink Base Multi-Storage Shelf (SBMSS) shipped separately for field installation left or right
- Full-height back
- Sink Base Multi-Storage Shelf measures 8 1/8" wide x 8" high x 17 1/2" deep
- Subtract 1 1/2" from width and 3 3/4" from depth for available sink bowl opening
- Tilt-Out Trays and Door Storage Unit trays are NOT dishwasher safe
- Refer to sink manufacturer's specifications for adequate clearance and required installation materials
- Touch Up Kit included

2 BUTT DOORS

SBMSC30 BUTT STO
SBMSC36 BUTT STO

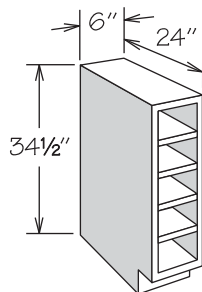
Base Spice Drawer Cabinet



- All door styles feature veneered engineered wood with exterior only finished to match cabinet box exterior
- Five individual full-depth drawers without glides
- Flush sides with no face frame or 1/4" reveals
- All wood drawer body with dovetail construction
- Wood door styles feature matching wood knobs
- Features 1/2" thick slab drawer fronts for all door styles

BSDC6

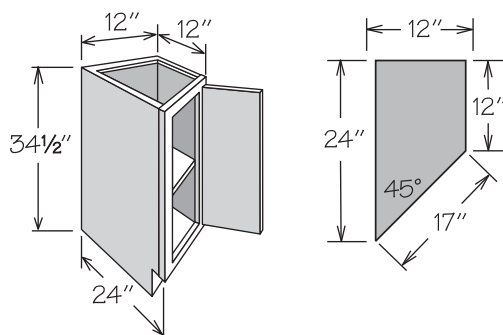
Base Wine Rack Cabinet



- All door styles feature veneered engineered wood finished to match cabinet box exterior
- Interior finished to match cabinet box exterior
- Accommodates five wine bottles (each opening measures: 5" high x 4 1/2" wide)
- 3/4" sides and shelves
- Flush sides with no face frame or 1/4" reveals
- Cannot be retrofitted with Base Spice drawers

BWRC6

Base End Angle • 1 Door



BEA12R FH is shown

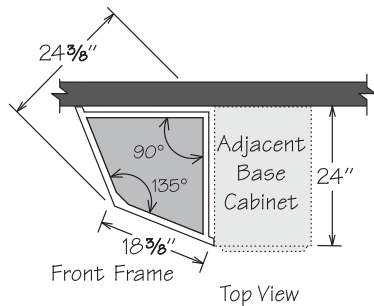
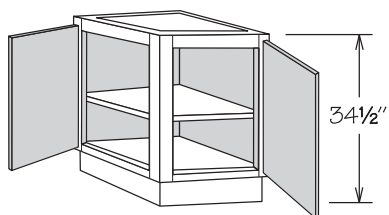
RD
RTK
VTK

- Full-height door
- One adjustable shelf
- Only available with RD-23 through RD-18
- Recessed Toe Kick Option (RTK) only available on 12" side
- Cabinet dimensions are for reference purposes ONLY - countertop must be measured and fabricated after cabinet installation

BEA12L FH
BEA12R FH

Base End Angle • 2 Doors

VTK

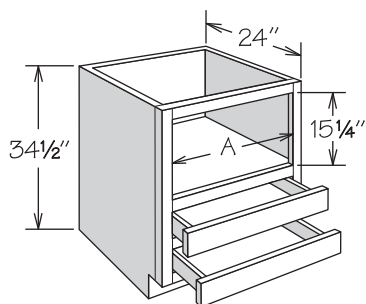


- Features a solid top
- One adjustable shelf
- Requires 24" x 24" space
- Cabinet dimensions are for reference purposes
ONLY – countertop must be measured and fabricated after cabinet installation

BEA24 FH

Base Microwave Cabinet • 2 Drawers

RD
RTK
VTK



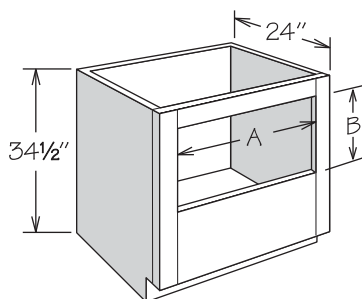
- Microwave opening finished to match cabinet box exterior
- Designed to accommodate countertop style microwave
- Features two standard depth drawers
- Accent molding recommended (order separately)
- Refer to appliance manufacturer's specifications for adequate clearances

A

BMC24	20 3/4"
BMC27	23 3/4"
BMC30	26 3/4"

Base Oven Cabinet Universal

RD
RTK
VTK



- Designed for mounting single oven below countertop
- 3" top rail is field removable and field trimmable
- 3 1/8" stiles
- Will accommodate certain cooktops (in conjunction with under-counter oven) or drop-in ranges
- Most ovens require a top rail of varying heights to create a finished look and clear the countertop overhang
- Refer to appliance manufacturer's specifications for adequate clearances and required installation materials

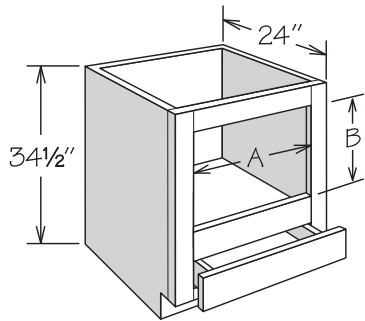
	A-MIN.	A-MAX.	B-MIN.	B-MAX.*
BOCU27	20 3/4"	24 15/16"	18 1/4"	29"
BOCU30	23 3/4"	27 15/16"	18 1/4"	29"
BOCU33	26 3/4"	30 15/16"	18 1/4"	29"

*Trimming/removal of top rail required

Built-In Base Microwave Cabinet

NEW! PRODUCT

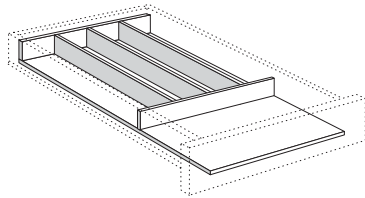
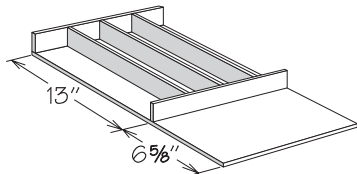
RD
RTK
VTK



- Designed to accommodate built-in style microwaves with trim kit
- Features one standard depth drawer
- 3 1/4" top rail is field trimmable
- 3 1/8" stiles
- Refer to appliance manufacturer's specifications for adequate clearances and required installation materials

	A-MIN.	A-MAX.	B-MIN.	B-MAX.
BBMC24	17 3/4"	22"	15 5/8"	21 1/8"
BBMC27	20 3/4"	25"	15 5/8"	21 1/8"
BBMC30	23 3/4"	28"	15 5/8"	21 1/8"

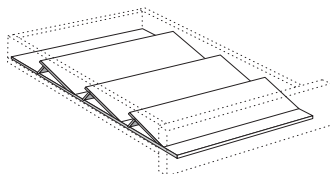
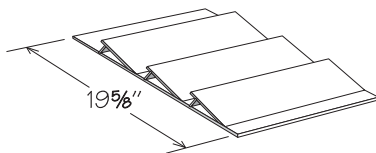
Cutlery Divider Kit



- Available as factory installed
- Field installation accessory
- Solid hardwood and plywood in natural finish
- Sized to fit in a dovetail drawer box or field trim to fit drawers with side-mounted glides
- Not sized to fit cabinets with Reduced Depth Option

	NUMBER OF SECTIONS	WIDTH
CDAK15	4	9 3/4"
CDAK18	5	12 3/4"
CDAK21	6	15 3/4"
CDAK24	6	18 3/4"
CDAK30	7	24 3/4"
CDAK36	8	30 3/4"

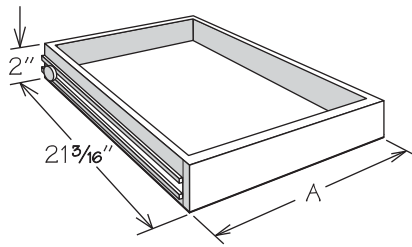
Spice Drawer Insert Kit



- Available as factory installed
- Field installation accessory
- Solid hardwood and plywood in natural finish
- Accommodates most spice containers (not included)
- Sized to fit in a dovetail drawer box or field trim to fit drawers with side-mounted glides
- Not sized to fit cabinets with Reduced Depth Option

	WIDTH
SDIAK15	9 3/4"
SDIAK18	12 3/4"
SDIAK21	15 3/4"
SDIAK24	18 3/4"

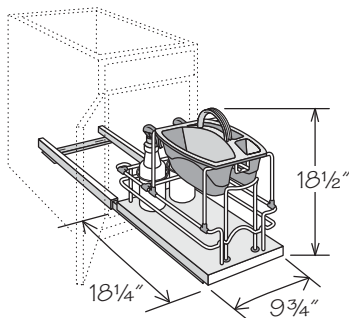
Sliding Shelf Kit



- Field installation accessory
- Engineered wood drawer with solid hardwood front, MDF bottom, and side-mounted drawer glides
- Includes sliding shelf, all glide hardware and instructions
- SSKs can be used with all single and double door base cabinets
- SSK drill template is required for all double door cabinets that have fixed center stile - contact Partner Team for drill template

SLIDING SHELF KIT	A	4 PACK SLIDING SHELF KIT	A
SSK12	8 1/2"	USS12-4K	8 1/2"
SSK15	11 1/2"	USS15-4K	11 1/2"
SSK18	14 1/2"	USS18-4K	14 1/2"
SSK19	16"	USS21-4K	17 1/2"
SSK21	17 1/2"	USS24-4K	20 1/2"
SSK24	20 1/2"	USS27-4K	23 1/2"
SSK27	23 1/2"	USS30-4K	26 1/2"
SSK30	26 1/2"	USS33-4K	29 1/2"
SSK33	29 1/2"	USS36-4K	32 1/2"
SSK36	32 1/2"		

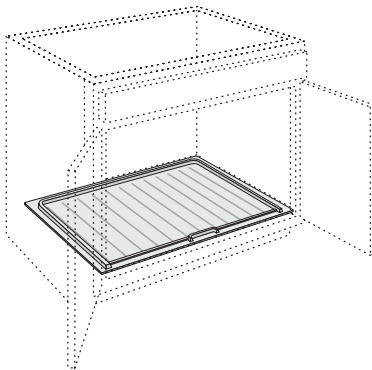
Cleaning Caddy Pullout Kit



- Features metal and wire CushionClose pull-out organizer with two 1L spray bottles and one removable gray cleaning caddy
- Unit is configurable so that spray bottles can be installed at the front or back
- Supports up to 75 pounds
- For use with 15" or wider base cabinet
- Mounts to cabinet floor
- For use in 24" deep base cabinets, 21" deep vanity cabinets or cabinets with RD-23 through RD-20

CCPOK

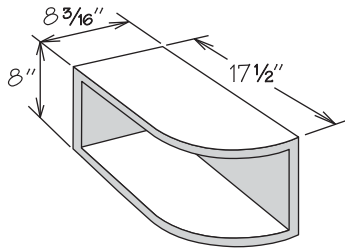
Sink Base Mat



- Field installation accessory
- Designed to funnel any leaks or spills out the front of the cabinet while protecting the cabinet floor
- Features flexible material in gray finish - easily trimmable
- Minor field trimming required for use in Deep Sink Base cabinets
- Not sized or trimmable to fit cabinets with Reduced Depth Option
- SBMAT39 is notched for center stile

SBMAT30
SBMAT33
SBMAT36
SBMAT39

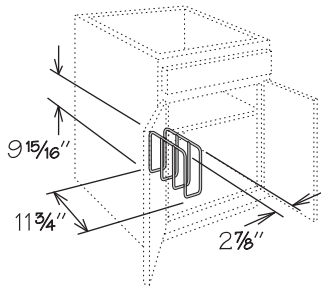
Sink Base Multi-Storage Shelf



- Field installation accessory
- 3/4" plywood with natural finish
- Invert for left or right installation

SBMSS

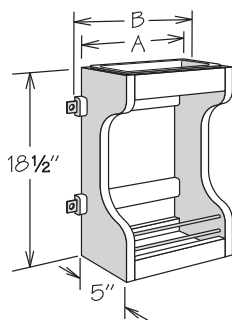
Cabinet Tray Divider



- Field installation accessory
- Chrome finish
- For use in 24" deep cabinets or cabinets with RD-23 through RD-14
- Mounting hardware included

TD3

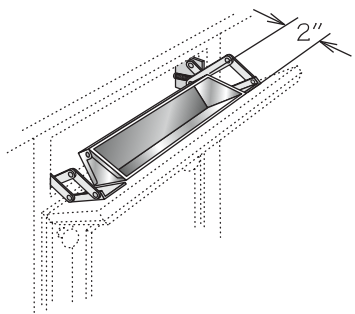
Sink Base Door Storage Unit



- Field installation accessory
- Natural finish solid wood
- Two fixed shelves
- Cannot be used with sliding shelf
- Full-depth shelf must be field trimmed to half-depth
- Removable white plastic tray is NOT dishwasher safe
- SBDSU15 mounts to 15" or 16" wide base door
- SBDSU18 mounts to 18" or 19" wide base door
- Not sized to fit Deep Sink Base (DSB) cabinet doors

	A	B
SBDSU15	9"	10 1/2"
SBDSU18	10 1/2"	13 1/2"

Tilt-Out Tray Kit

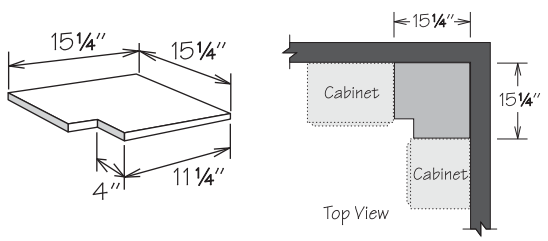


- Field installation accessory
- Kit features tray and one pair of scissor hinges
- Order units individually
- STO TRAY 11:
 - » Order one unit for SB18
- STO TRAY 14:
 - » Order one unit for SB21, SB24, SB27 or CSF42
 - » Order two units for SB39, SB42 or SB48
- STO TRAY 22:
 - » Order one unit for SB30, SB33, or SB36
- Sink front units match sink base sizes as noted above
- Tilt-Out Trays are NOT dishwasher safe

STAINLESS

- STO TRAY 11
- STO TRAY 14
- STO TRAY 22

Blind Corner Closure

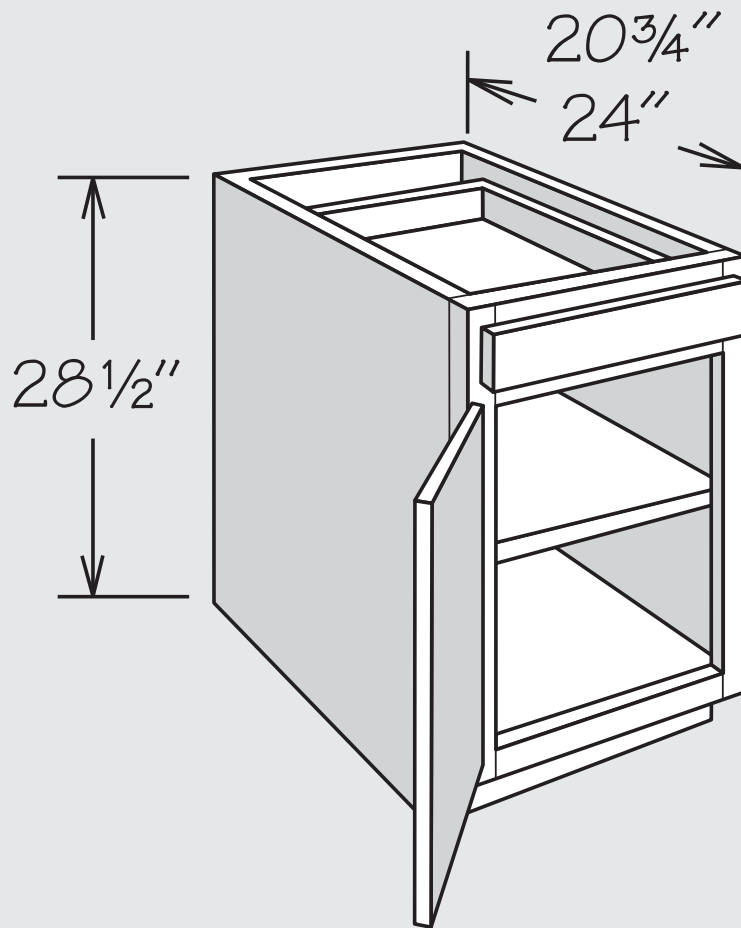


- Features 1/2" engineered wood with natural woodgrain look finished on both sides
- Field trimmable

BLC1515

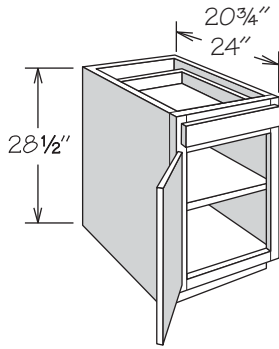
Notes

DESK CABINETS & BOOKSHELVES



Desk Cabinet • 1 Door and 1 Drawer

CFO
RD
RTK
VTK



- One full-depth adjustable shelf
- May be accessorized with one sliding shelf
- Recommend mounting sliding shelf on cabinet floor (order separately)

24" DEEP

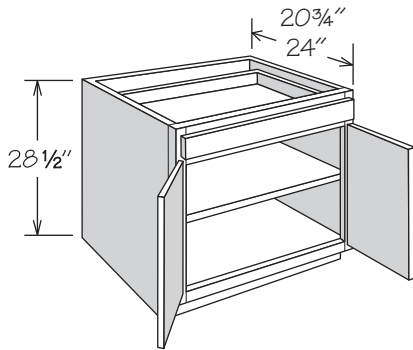
DDO1224
DDO1524
DDO1824
DDO2124

21" DEEP

DDO1221
DDO1521
DDO1821
DDO2121

Desk Cabinet • 2 Butt Doors and 1 Drawer

CFO
RD
RTK
VTK



- One full-depth adjustable shelf
- May be accessorized with one sliding shelf
- Recommend mounting sliding shelf on cabinet floor (order separately)

24" DEEP

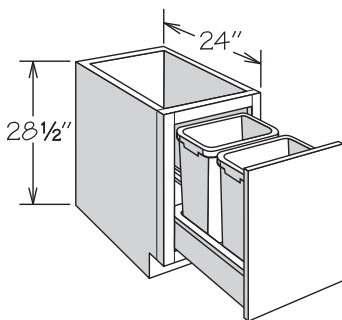
DDO2424 BUTT

21" DEEP

DDO2421 BUTT

Desk Cabinet • 1 Door with Wastebasket Pull-Out

RTK
VTK



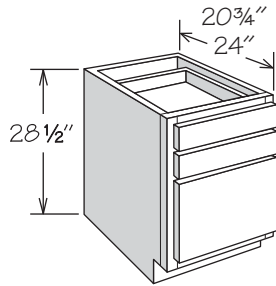
- Wastebasket pull-out features heavy-duty full-extension glides (100 pound rated)
- Full-height door
- Wastebasket rests in a natural finish wood frame
- Features two silver plastic 35-quart capacity bins
- Decorative hardware strongly recommended

24" DEEP - 2 WASTEBASKETS

DWBB1824 ■

Desk Drawer Cabinet • 3 Drawers

CFO
RD
RTK
VTK



- One large and two standard drawers
- Large drawer cannot be used as a file drawer

24" DEEP

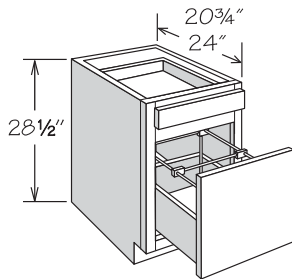
DDR1224
DDR1524
DDR1824
DDR2124
DDR2424

21" DEEP

DDR1221
DDR1521
DDR1821
DDR2121
DDR2421

Desk Cabinet • 1 Drawer and Door with File Pull-Out

RTK
VTK



- One standard top drawer
- Features one natural finish wood drawer body attached to door pull-out
- File unit packaged separately for field installation
- Will accept letter or legal-size hanging files

24" DEEP

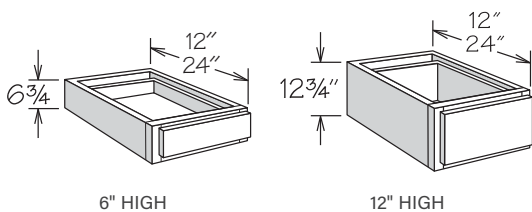
DFDC1824

21" DEEP

DFDC1821

Furniture Drawer Cabinet • 1 Drawer

CFO
RD ■



- 6" high features one standard drawer and 12" high features one large drawer
- 24" deep Furniture Drawer cabinets are only available with RD-23 through RD-13
- Bottom of cabinet frame must be fully supported

6" HIGH • 1 DRAWER

12" Deep

FD121206
FD151206
FD181206
FD211206
FD241206
FD271206
FD301206
FD331206
FD361206

24" Deep

FD122406 ■
FD152406 ■
FD182406 ■
FD212406 ■
FD242406 ■
FD272406 ■
FD302406 ■
FD332406 ■
FD362406 ■

12" HIGH • 1 DRAWER

12" Deep

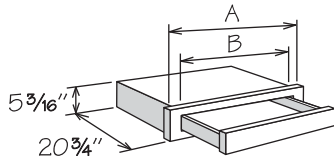
FD121212
FD151212
FD181212
FD211212
FD241212
FD271212
FD301212
FD331212
FD361212

24" Deep

FD122412 ■
FD152412 ■
FD182412 ■
FD212412 ■
FD242412 ■
FD272412 ■
FD302412 ■
FD332412 ■
FD362412 ■

Kneehole Drawer Cabinet

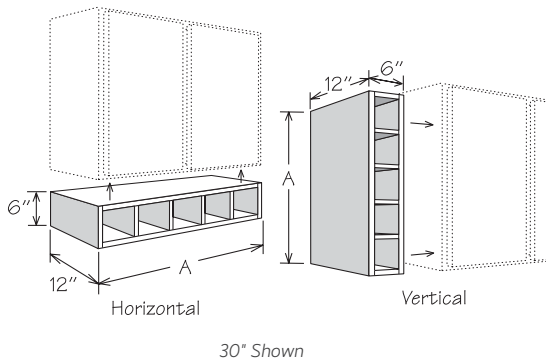
RD



- Designed for desk or vanity application
- Field trimmable in height to 4 3/4"
- Field trimmable in depth to 18" or available with RD-20 through RD-12
- Drawer front complements door style - refer to door style section

	A	B	MAX. TRIM
KDC27/21	27"	17 3/4"	21" (3" each side)
KDC33/27	33"	23 3/4"	27" (3" each side)
KDC36/33	36"	29 3/4"	33" (1 1/2" each side)

Storage Cube

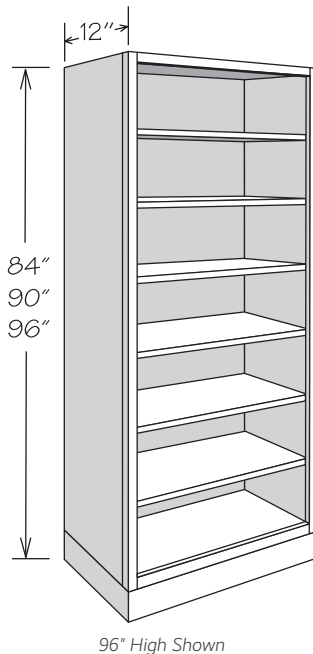


- Vertical installation may require the use of fillers and/or molding which must be ordered separately
- Opening size is 5" wide x 4 1/2" high (horizontal) which will accommodate most envelopes and various other office supplies
- All door styles feature 3/4" veneered engineered wood finished to match cabinet box exterior
- Flush sides with no face frame or 1/4" reveals
- Interior finished to match cabinet box exterior
- Cannot be retrofitted with Spice Drawer Cabinet drawers

	A	NUMBER OF OPENINGS
SC30	30"	5
SC36	36"	6
SC42	42"	7

Tall Bookshelf

ID
RD



- Interior finished to match cabinet box exterior
- Flush furniture toe kick
- Toe kick shipped unattached for 93" and 96" high bookshelves
- 23/32" veneered adjustable shelves packaged separately

12" DEEP

96"H - 6 Shelves

BS1896
BS2496
BS3096
BS3696

90"H - 6 Shelves

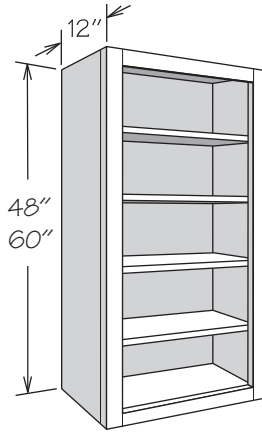
BS1890
BS2490
BS3090
BS3690

84"H - 5 Shelves

BS1884
BS2484
BS3084
BS3684

Wall Bookshelf

ID
RD



60" High Shown

- Interior finished to match cabinet box exterior
- $2\frac{3}{32}$ " adjustable shelves packaged separately

12" DEEP

60"H • 4 Shelves

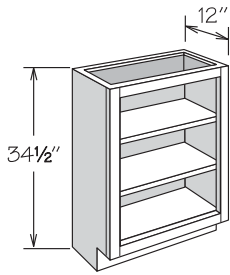
BS1860
BS2460
BS3060
BS3660

48"H • 3 Shelves

BS1848
BS2448
BS3048
BS3648

Base Bookshelf

ID
RD
RTK
VTK



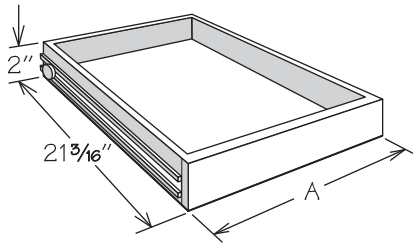
- Interior finished to match cabinet box exterior
- Two adjustable $2\frac{3}{32}$ " shelves packaged separately

12" DEEP

BS2434

Sliding Shelf Kit

RD

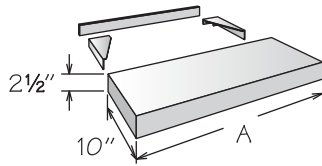


- Field installation accessory
- Engineered wood drawer with solid hardwood front, MDF bottom, and side-mounted drawer glides
- Includes sliding shelf, all glide hardware, and instructions
- SSKs can be used with all single and double door base cabinets
- SSK drill template is required for all double door cabinets that have fixed center stile - contact Partner Team for drill template

SLIDING SHELF KIT

	A
SSK12	8 1/2"
SSK15	11 1/2"
SSK18	14 1/2"
SSK21	17 1/2"
SSK24	20 1/2"

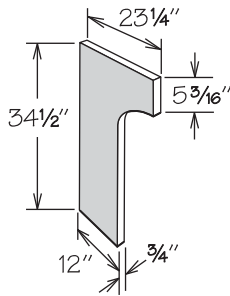
Floating Shelf



- Not trimmable
- Finished on all sides to match cabinet box exterior
- Constructed of engineered wood top and bottom and solid wood front and sides
- When installed between two cabinets, Wall End Panel (WEP) is recommended for adjacent cabinets
- Must be secured to studs in wall
- Installation instructions, mounting brackets, and screws included

10" DEEP	A	MAX. LOAD
FLSH2410	24"	30 lbs.
FLSH3010	30"	37 lbs.
FLSH3610	36"	45 lbs.
FLSH4210	42"	52 lbs.
FLSH4810	48"	60 lbs.

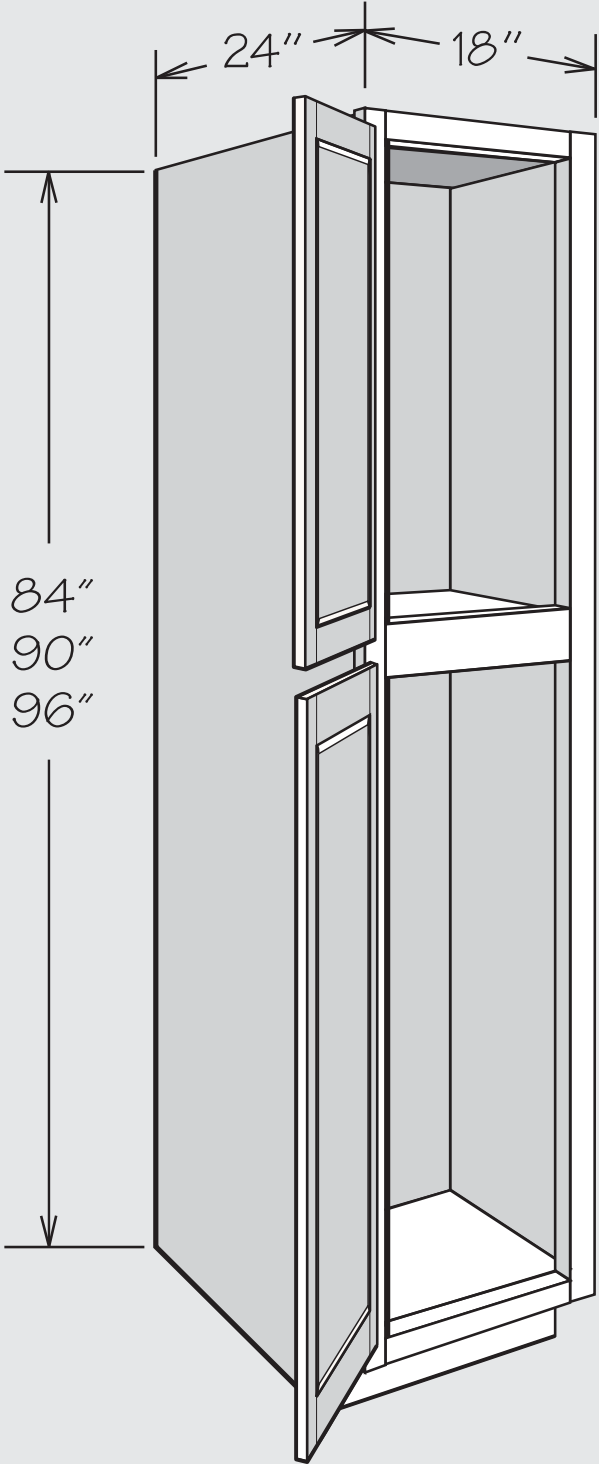
Desk End Panel



- All door styles feature 3/4" veneered engineered wood finished to match cabinet box exterior on both sides
- Recommend QM8 be ordered for installation to ensure proper attachment to wall
- Field trimmable
- Edge banded on front

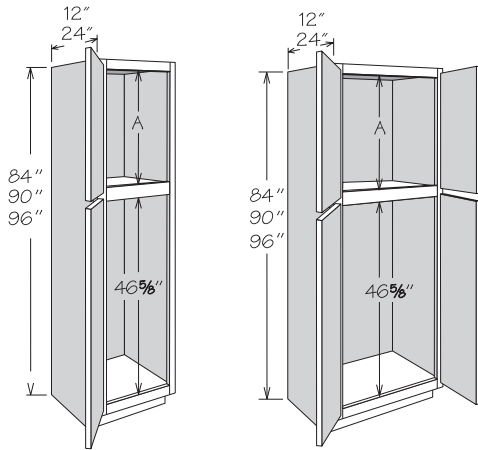
34 1/2" HIGH
DEP

TALL CABINETS



Utility Cabinet

CFO
MI ■
RD
VTK ◆



2 DOORS

4 BUTT DOORS

84" High Shown

- Shelving and optional interior accessories may be ordered separately (refer to Utility Cabinet Accessories for details)
- Cabinet backs are pre-drilled to accept up to four sliding shelves in lower section
- 4" inset toe kick assembly shipped inside 96" high cabinet - seam will be visible between toe kick box and side of cabinet
- Two door cabinets must be ordered hinged left or right
- Specialty Door cabinets (SD) feature Matching Interior standard and require a specialty door selection
- Bottom doors have a center rail for select door styles - refer to door style section

	A
84" High	26 ⁷ / ₈ "
90" High	32 ⁷ / ₈ "
96" High	38 ⁷ / ₈ "

2 DOORS - 12" DEEP

96" H

- UT1212 X 96 ■
- UT1512 X 96 ■
- UT1812 X 96 ■
- UT2112 X 96 ■
- UT1212 X 96 SD
- UT1512 X 96 SD
- UT1812 X 96 SD
- UT2112 X 96 SD

84" H

- UT1212 X 84 ■ ◆
- UT1512 X 84 ■ ◆
- UT1812 X 84 ■ ◆
- UT2112 X 84 ■ ◆
- UT1812 X 84 SD ◆
- UT1212 X 84 SD ◆
- UT1512 X 84 SD ◆
- UT2112 X 84 SD ◆

90" H

- UT1212 X 90 ■ ◆
- UT1512 X 90 ■ ◆
- UT1812 X 90 ■ ◆
- UT2112 X 90 ■ ◆
- UT1212 X 90 SD ◆
- UT1512 X 90 SD ◆
- UT1812 X 90 SD ◆
- UT2112 X 90 SD ◆

2 DOORS - 24" DEEP

96" H

- UT1224 X 96 ■
- UT1524 X 96 ■
- UT1824 X 96 ■
- UT2124 X 96 ■
- UT1224 X 96 SD
- UT1524 X 96 SD
- UT1824 X 96 SD
- UT2124 X 96 SD

84" H

- UT1224 X 84 ■ ◆
- UT1524 X 84 ■ ◆
- UT1824 X 84 ■ ◆
- UT2124 X 84 ■ ◆
- UT1224 X 84 SD ◆
- UT1524 X 84 SD ◆
- UT1824 X 84 SD ◆
- UT2124 X 84 SD ◆

90" H

- UT1224 X 90 ■ ◆
- UT1524 X 90 ■ ◆
- UT1824 X 90 ■ ◆
- UT2124 X 90 ■ ◆
- UT1224 X 96 SD ◆
- UT1524 X 90 SD ◆
- UT1824 X 90 SD ◆
- UT2124 X 90 SD ◆

4 BUTT DOORS - 12" DEEP

96" H

- UT2412 X 96 BUTT ■
- UT2412 X 96 BUTT SD

90" H

- UT2412 X 90 BUTT ■ ◆
- UT2412 X 90 BUTT SD ◆

84" H

- UT2412 X 84 BUTT ■ ◆
- UT2412 X 84 BUTT SD ◆

4 BUTT DOORS - 24" DEEP

96" H

- UT2424 X 96 BUTT ■
- UT2724 X 96 BUTT ■
- UT3024 X 96 BUTT ■
- UT3324 X 96 BUTT ■
- UT3624 X 96 BUTT ■

- UT2424 X 96 BUTT SD
- UT2724 X 96 BUTT SD
- UT3024 X 96 BUTT SD
- UT3324 X 96 BUTT SD
- UT3624 X 96 BUTT SD

90" H

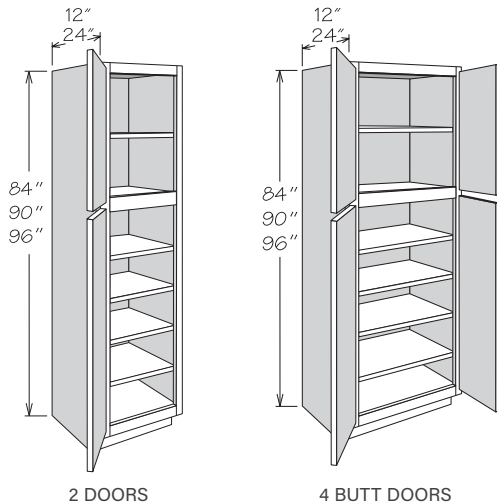
- UT2424 X 90 BUTT ■ ◆
- UT2724 X 90 BUTT ■ ◆
- UT3024 X 90 BUTT ■ ◆
- UT3324 X 90 BUTT ■ ◆
- UT3624 X 90 BUTT ■ ◆
- UT2424 X 90 BUTT SD ◆
- UT2724 X 90 BUTT SD ◆
- UT3024 X 90 BUTT SD ◆
- UT3324 X 90 BUTT SD ◆
- UT3624 X 90 BUTT SD ◆

84" H

- UT2424 X 84 BUTT ■ ◆
- UT2724 X 84 BUTT ■ ◆
- UT3024 X 84 BUTT ■ ◆
- UT3324 X 84 BUTT ■ ◆
- UT3624 X 84 BUTT ■ ◆
- UT2424 X 84 BUTT SD ◆
- UT2724 X 84 BUTT SD ◆
- UT3024 X 84 BUTT SD ◆
- UT3324 X 84 BUTT SD ◆
- UT3624 X 84 BUTT SD ◆

Utility Cabinet • Adjustable Shelves

MI ■
RD ■
VTK ◆



84" High Shown

- Full-depth adjustable shelves are ¾" engineered wood and edge banded on front edge only
- Bottom section features four adjustable shelves
- All shelving packaged separately for field installation
- 4" inset toe kick assembly shipped inside 96" high cabinet - seam will be visible between toe kick box and side of cabinet
- Two door cabinets must be ordered hinged left or right
- Specialty Door cabinets (SD) feature Matching Interior standard and require a specialty door selection
- Bottom doors have a center rail for select door styles - refer to door style section

2 DOORS • 12" DEEP

96" H • 3 Top Shelves

- UT1212 X 96 AS ■
- UT1512 X 96 AS ■
- UT1812 X 96 AS ■
- UT2112 X 96 AS ■
- UT1212 X 96 AS SD
- UT1512 X 96 AS SD
- UT1812 X 96 AS SD
- UT2112 X 96 AS SD

90" H • 2 Top Shelves

- UT1212 X 90 AS ■ ◆
- UT1512 X 90 AS ■ ◆
- UT1812 X 90 AS ■ ◆
- UT2112 X 90 AS ■ ◆
- UT1212 X 90 AS SD ◆
- UT1512 X 90 AS SD ◆
- UT1812 X 90 AS SD ◆
- UT2112 X 90 AS SD ◆

2 DOORS • 24" DEEP

96" H • 3 Top Shelves

- UT1224 X 96 AS ■
- UT1524 X 96 AS ■
- UT1824 X 96 AS ■
- UT2124 X 96 AS ■
- UT1224 X 96 AS SD
- UT1524 X 96 AS SD
- UT1824 X 96 AS SD
- UT2124 X 96 AS SD

90" H • 2 Top Shelves

- UT1224 X 90 AS ■ ◆
- UT1524 X 90 AS ■ ◆
- UT1824 X 90 AS ■ ◆
- UT2124 X 90 AS ■ ◆
- UT1224 X 90 AS SD ◆
- UT1524 X 90 AS SD ◆
- UT1824 X 90 AS SD ◆
- UT2124 X 90 AS SD ◆

84" H • 1 Top Shelf

- UT1212 X 84 AS ■ ◆
- UT1512 X 84 AS ■ ◆
- UT1812 X 84 AS ■ ◆
- UT2112 X 84 AS ■ ◆
- UT1212 X 84 AS SD ◆
- UT1512 X 84 AS SD ◆
- UT1812 X 84 AS SD ◆
- UT2112 X 84 AS SD ◆

84" H • 1 Top Shelf

- UT1224 X 84 AS ■ ◆
- UT1524 X 84 AS ■ ◆
- UT1824 X 84 AS ■ ◆
- UT2124 X 84 AS ■ ◆
- UT1224 X 84 AS SD ◆
- UT1524 X 84 AS SD ◆
- UT1824 X 84 AS SD ◆
- UT2124 X 84 AS SD ◆

4 BUTT DOORS • 12" DEEP

96" H • 3 Top Shelves

- UT2412 X 96 AS BUTT ■
- UT2412 X 96 AS BUTT SD

90" H • 2 Top Shelves

- UT2412 X 90 AS BUTT ■ ◆
- UT2412 X 90 AS BUTT SD ◆

4 BUTT DOORS • 24" DEEP

96" H • 3 Top Shelves

- UT2424 X 96 AS BUTT ■
- UT2724 X 96 AS BUTT ■
- UT3024 X 96 AS BUTT ■
- UT3324 X 96 AS BUTT ■
- UT3624 X 96 AS BUTT ■
- UT2424 X 96 AS BUTT SD
- UT2724 X 96 AS BUTT SD
- UT3024 X 96 AS BUTT SD
- UT3324 X 96 AS BUTT SD
- UT3624 X 96 AS BUTT SD

90" H • 2 Top Shelves

- UT2424 X 90 AS BUTT ■ ◆
- UT2724 X 90 AS BUTT ■ ◆
- UT3024 X 90 AS BUTT ■ ◆
- UT3324 X 90 AS BUTT ■ ◆
- UT3624 X 90 AS BUTT ■ ◆
- UT2424 X 90 AS BUTT SD ◆
- UT2724 X 90 AS BUTT SD ◆
- UT3024 X 90 AS BUTT SD ◆
- UT3324 X 90 AS BUTT SD ◆
- UT3624 X 90 AS BUTT SD ◆

84" H • 1 Top Shelf

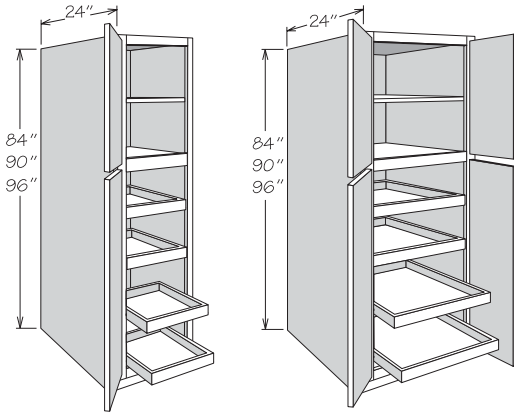
- UT2412 X 84 AS BUTT ■ ◆
- UT2412 X 84 AS BUTT SD ◆

84" H • 1 Top Shelf

- UT2424 X 84 AS BUTT ■ ◆
- UT2724 X 84 AS BUTT ■ ◆
- UT3024 X 84 AS BUTT ■ ◆
- UT3324 X 84 AS BUTT ■ ◆
- UT3624 X 84 AS BUTT ■ ◆
- UT2424 X 84 AS BUTT SD ◆
- UT2724 X 84 AS BUTT SD ◆
- UT3024 X 84 AS BUTT SD ◆
- UT3324 X 84 AS BUTT SD ◆
- UT3624 X 84 AS BUTT SD ◆

Utility Cabinet • Sliding Shelves

MI ■
RD ■
VTK ◆



2 DOORS

4 BUTT DOORS

84" High Shown

- Full-depth adjustable shelves are 3/4" engineered wood and edge banded on front edge only
- Bottom section features four sliding shelves
- All shelving and SSK sliding shelves packaged separately for field installation
- 4" inset toe kick assembly shipped inside 96" high cabinet - seam will be visible between toe kick box and side of cabinet
- Engineered wood sliding shelves with solid hardwood front, MDF bottom, and side-mounted drawer glides
- Two door cabinets must be ordered hinged left or right
- Specialty Door cabinets (SD) feature Matching Interior standard and require a specialty door selection
- Bottom doors have a center rail for select door styles - refer to door style section

2 DOORS

96" H - 3 Top Shelves

- UT1224 X 96 4SSK ■
- UT1524 X 96 4SSK ■
- UT1824 X 96 4SSK ■
- UT2124 X 96 4SSK ■
- UT1224 X 96 4SSK SD
- UT1524 X 96 4SSK SD
- UT1824 X 96 4SSK SD
- UT2124 X 96 4SSK SD

90" H - 2 Top Shelves

- UT1224 X 90 4SSK ■ ◆
- UT1524 X 90 4SSK ■ ◆
- UT1824 X 90 4SSK ■ ◆
- UT2124 X 90 4SSK ■ ◆
- UT1224 X 90 4SSK SD ◆
- UT1524 X 90 4SSK SD ◆
- UT1824 X 90 4SSK SD ◆
- UT2124 X 90 4SSK SD ◆

84" H - 1 Top Shelf

- UT1224 X 84 4SSK ■ ◆
- UT1524 X 84 4SSK ■ ◆
- UT1824 X 84 4SSK ■ ◆
- UT2124 X 84 4SSK ■ ◆
- UT1224 X 84 4SSK SD ◆
- UT1524 X 84 4SSK SD ◆
- UT1824 X 84 4SSK SD ◆
- UT2124 X 84 4SSK SD ◆

4 BUTT DOORS

96" H - 3 Top Shelves

- UT2424 X 96 4SSK BUTT ■
- UT2724 X 96 4SSK BUTT ■
- UT3024 X 96 4SSK BUTT ■
- UT3324 X 96 4SSK BUTT ■
- UT3624 X 96 4SSK BUTT ■
- UT2424 X 96 4SSK BUTT SD
- UT2724 X 96 4SSK BUTT SD
- UT3024 X 96 4SSK BUTT SD
- UT3324 X 96 4SSK BUTT SD
- UT3624 X 96 4SSK BUTT SD

90" H - 2 Top Shelves

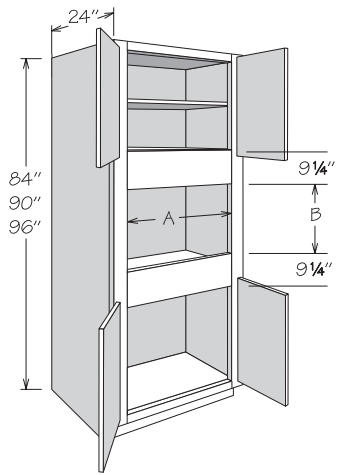
- UT2424 X 90 4SSK BUTT ■ ◆
- UT2724 X 90 4SSK BUTT ■ ◆
- UT3024 X 90 4SSK BUTT ■ ◆
- UT3324 X 90 4SSK BUTT ■ ◆
- UT3624 X 90 4SSK BUTT ■ ◆
- UT2424 X 90 4SSK BUTT SD ◆
- UT2724 X 90 4SSK BUTT SD ◆
- UT3024 X 90 4SSK BUTT SD ◆
- UT3324 X 90 4SSK BUTT SD ◆
- UT3624 X 90 4SSK BUTT SD ◆

84" H - 1 Top Shelf

- UT2424 X 84 4SSK BUTT ■ ◆
- UT2724 X 84 4SSK BUTT ■ ◆
- UT3024 X 84 4SSK BUTT ■ ◆
- UT3324 X 84 4SSK BUTT ■ ◆
- UT3624 X 84 4SSK BUTT ■ ◆
- UT2424 X 84 4SSK BUTT SD ◆
- UT2724 X 84 4SSK BUTT SD ◆
- UT3024 X 84 4SSK BUTT SD ◆
- UT3324 X 84 4SSK BUTT SD ◆
- UT3624 X 84 4SSK BUTT SD ◆

Single Oven Cabinet • 4 Butt Doors

CFO
RD
VTK ◆



90" High Shown

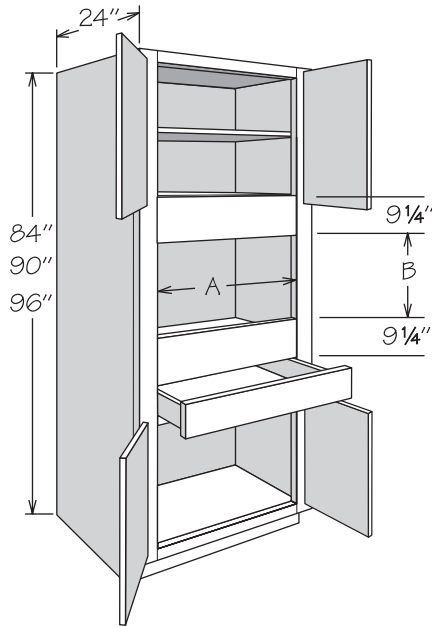
- Features a solid back
- 3 1/8" stiles
- All door styles feature face-mount hinges
- Full-depth adjustable shelves and 3/4" engineered wood and edge banded on front edge only
- Shelf packaged separately for field installation
- 4" inset toe kick assembly shipped inside 96" high cabinets - seam will be visible between toe kick box and side of cabinet
- Refer to appliance manufacturer's specifications for adequate clearances and required installation materials

	A ACTUAL	A MAX.	B ACTUAL	B MAX.
96"H • 2 Top Shelves				
OVS2796 AS BUTT	20 3/4"	25"	22 1/8"	37 3/8"
OVS3096 AS BUTT	23 3/4"	28"	22 1/8"	37 3/8"
OVS3396 AS BUTT	26 3/4"	31"	22 1/8"	37 3/8"
90"H • 1 Top Shelf				
OVS2790 AS BUTT ◆	20 3/4"	25"	21 3/4"	37"
OVS3090 AS BUTT ◆	23 3/4"	28"	21 3/4"	37"
OVS3390 AS BUTT ◆	26 3/4"	31"	21 3/4"	37"
84"H • No Shelf				
OVS2784 BUTT ◆	20 3/4"	25"	22 1/8"	37 3/8"
OVS3084 BUTT ◆	23 3/4"	28"	22 1/8"	37 3/8"
OVS3384 BUTT ◆	26 3/4"	31"	22 1/8"	37 3/8"

TALL CABINETS

Single Oven Cabinet • 4 Butt Doors and 1 Drawer

CFO
RD
VTK ◆



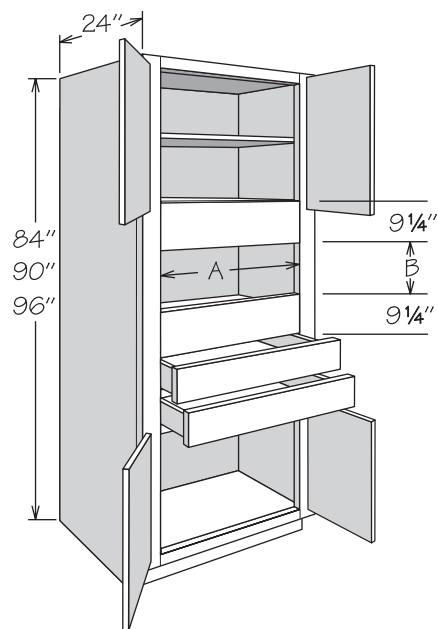
90" High Shown

- Features a solid back
- 3/8" stiles
- All door styles feature face-mount hinges
- One standard drawer
- Full-depth adjustable shelves and 3/4" engineered wood and edge banded on front edge only
- Shelf packaged separately for field installation
- 4" inset toe kick assembly shipped inside 96" high cabinets - seam will be visible between toe kick box and side of cabinet
- Refer to appliance manufacturer's specifications for adequate clearances and required installation materials

	A ACTUAL	A MAX.	B ACTUAL	B MAX.
96"H - 2 Top Shelves				
OVS2796 AS BUTT 1DWR	20 3/4"	25"	16 1/8"	31 3/8"
OVS3096 AS BUTT 1DWR	23 3/4"	28"	16 1/8"	31 3/8"
OVS3396 AS BUTT 1DWR	26 3/4"	31"	16 1/8"	31 3/8"
90"H - 1 Top Shelf				
OVS2790 AS BUTT 1DWR ◆	20 3/4"	25"	15 3/4"	31"
OVS3090 AS BUTT 1DWR ◆	23 3/4"	28"	15 3/4"	31"
OVS3390 AS BUTT 1DWR ◆	26 3/4"	31"	15 3/4"	31"
84"H - No Shelf				
OVS2784 BUTT 1DWR ◆	20 3/4"	25"	16 1/8"	31 3/8"
OVS3084 BUTT 1DWR ◆	23 3/4"	28"	16 1/8"	31 3/8"
OVS3384 BUTT 1DWR ◆	26 3/4"	31"	16 1/8"	31 3/8"

Single Oven Cabinet • 4 Butt Doors and 2 Drawers

VTK ◆



90" High Shown

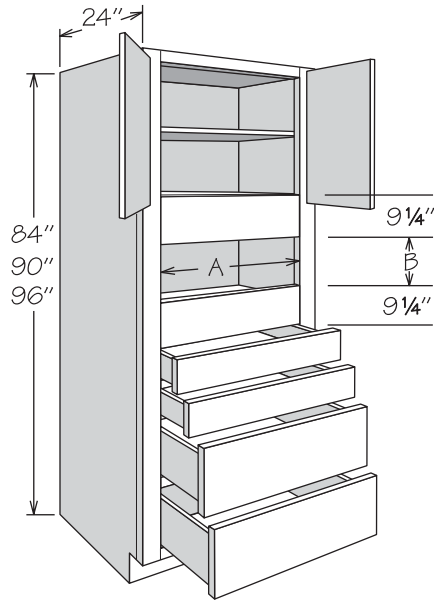
- Features a solid back
- 3/8" stiles
- All door styles feature face-mount hinges
- Two standard drawers
- Full-depth adjustable shelves and 3/4" engineered wood and edge banded on front edge only
- Shelf packaged separately for field installation
- 4" inset toe kick assembly shipped inside 96" high cabinets
- seam will be visible between toe kick box and side of cabinet
- Refer to appliance manufacturer's specifications for adequate clearances and required installation materials

	A ACTUAL	A MAX.	B ACTUAL	B MAX.
96"H - 2 Top Shelves				
OVS2796 AS BUTT 2DWR	20 3/4"	25"	10 1/8"	25 3/8"
OVS3096 AS BUTT 2DWR	23 3/4"	28"	10 1/8"	25 3/8"
OVS3396 AS BUTT 2DWR	26 3/4"	31"	10 1/8"	25 3/8"
90"H - 1 Top Shelf				
OVS2790 AS BUTT 2DWR ◆	20 3/4"	25"	9 3/4"	25"
OVS3090 AS BUTT 2DWR ◆	23 3/4"	28"	9 3/4"	25"
OVS3390 AS BUTT 2DWR ◆	26 3/4"	31"	9 3/4"	25"
84"H - No Shelf				
OVS2784 BUTT 2DWR ◆	20 3/4"	25"	10 1/8"	25 3/8"
OVS3084 BUTT 2DWR ◆	23 3/4"	28"	10 1/8"	25 3/8"
OVS3384 BUTT 2DWR ◆	26 3/4"	31"	10 1/8"	25 3/8"

TALL CABINETS

Single Oven Cabinet • 2 Butt Doors and 4 Drawers

CFO
RD
VTK ◆



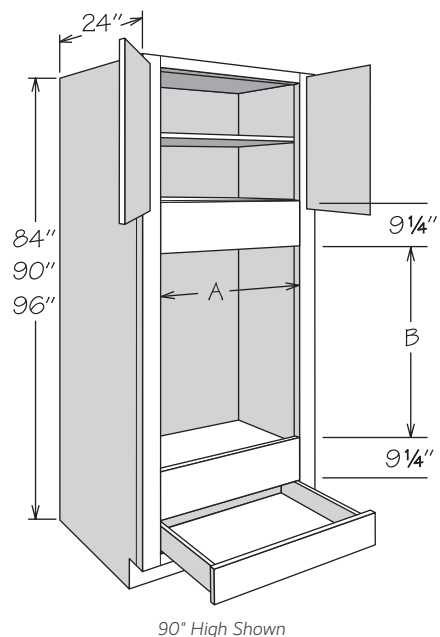
90" High Shown

- Features a solid back
- 3 1/8" stiles
- All door styles feature face-mount hinges
- Two standard and two large drawers
- Shelf packaged separately for field installation
- Full-depth adjustable shelves and 3/4" engineered wood and edge banded on front edge only
- 4" inset toe kick assembly shipped inside 96" high cabinets - seam will be visible between toe kick box and side of cabinet
- Refer to appliance manufacturer's specifications for adequate clearances and required installation materials

	A ACTUAL	A MAX.	B ACTUAL	B MAX.
96"H - 2 Top Shelves				
OVS2796 AS BUTT 4DWR	20 3/4"	25"	10 1/8"	25 3/8"
OVS3096 AS BUTT 4DWR	23 3/4"	28"	10 1/8"	25 3/8"
OVS3396 AS BUTT 4DWR	26 3/4"	31"	10 1/8"	25 3/8"
90"H - 1 Top Shelf				
OVS2790 AS BUTT 4DWR ◆	20 3/4"	25"	9 3/4"	25"
OVS3090 AS BUTT 4DWR ◆	23 3/4"	28"	9 3/4"	25"
OVS3390 AS BUTT 4DWR ◆	26 3/4"	31"	9 3/4"	25"
84"H - No Shelf				
OVS2784 BUTT 4DWR ◆	20 3/4"	25"	10 1/8"	25 3/8"
OVS3084 BUTT 4DWR ◆	23 3/4"	28"	10 1/8"	25 3/8"
OVS3384 BUTT 4DWR ◆	26 3/4"	31"	10 1/8"	25 3/8"

Double Oven Cabinet • 2 Butt Doors and 1 Drawer

CFO
RD
VTK ◆

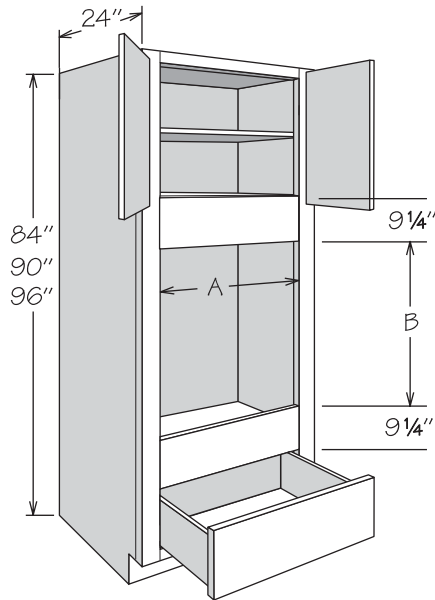


- Features a solid back
- 3½" stiles
- One standard drawer
- All door styles feature face-mount hinges
- Shelf packaged separately for field installation
- Full-depth adjustable shelves and ¾" engineered wood and edge banded on front edge only
- 4" inset toe kick assembly shipped inside 96" high cabinets - seam will be visible between toe kick box and side of cabinet
- Refer to appliance manufacturer's specifications for adequate clearances and required installation materials

	A ACTUAL	A MAX.	B ACTUAL	B MAX.
96"H - 2 Top Shelves				
OVD2796 AS BUTT	20 ¾"	25"	39"	54 ¼"
OVD3096 AS BUTT	23 ¾"	28"	39"	54 ¼"
OVD3396 AS BUTT	26 ¾"	31"	39"	54 ¼"
90"H - 1 Top Shelf				
OVD2790 AS BUTT ◆	20 ¾"	25"	38 ⅝"	53 ⅞"
OVD3090 AS BUTT ◆	23 ¾"	28"	38 ⅝"	53 ⅞"
OVD3390 AS BUTT ◆	26 ¾"	31"	38 ⅝"	53 ⅞"
84"H - No Shelf				
OVD2784 BUTT ◆	20 ¾"	25"	39"	54 ¼"
OVD3084 BUTT ◆	23 ¾"	28"	39"	54 ¼"
OVD3384 BUTT ◆	26 ¾"	31"	39"	54 ¼"

Double Oven Cabinet • 2 Butt Doors and 1 Large Drawer

CFO
RD
VTK ◆



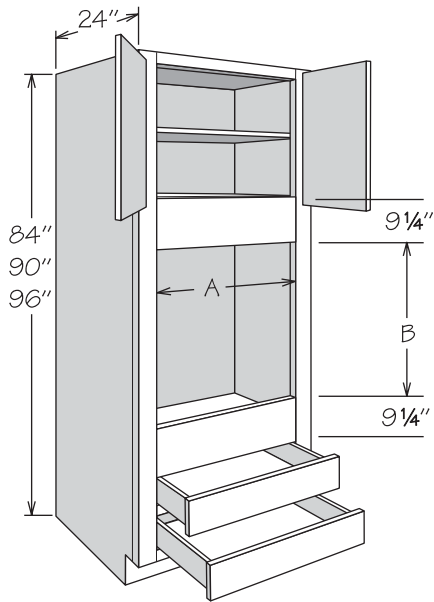
90" High Shown

- Features a solid back
- 3/8" stiles
- All door styles feature face-mount hinges
- One large drawer
- Shelf packaged separately for field installation
- Full-depth adjustable shelves and 3/4" engineered wood and edge banded on front edge only
- 4" inset toe kick assembly shipped inside 96" high cabinets - seam will be visible between toe kick box and side of cabinet
- Refer to appliance manufacturer's specifications for adequate clearances and required installation materials

	A ACTUAL	A MAX.	B ACTUAL	B MAX.
96"H • 2 Top Shelves				
OVD2796 AS BUTT 1DDWR	20 3/4"	25"	33 9/16"	48 13/16"
OVD3096 AS BUTT 1DDWR	23 3/4"	28"	33 9/16"	48 13/16"
OVD3396 AS BUTT 1DDWR	26 3/4"	31"	33 9/16"	48 13/16"
90"H • 1 Top Shelf				
OVD2790 AS BUTT 1DDWR ◆	20 3/4"	25"	33 3/16"	48 7/16"
OVD3090 AS BUTT 1DDWR ◆	23 3/4"	28"	33 3/16"	48 7/16"
OVD3390 AS BUTT 1DDWR ◆	26 3/4"	31"	33 3/16"	48 7/16"
84"H • No Shelf				
OVD2784 BUTT 1DDWR ◆	20 3/4"	25"	33 9/16"	48 13/16"
OVD3084 BUTT 1DDWR ◆	23 3/4"	28"	33 9/16"	48 13/16"
OVD3384 BUTT 1DDWR ◆	26 3/4"	31"	33 9/16"	48 13/16"

Double Oven Cabinet • 2 Butt Doors and 2 Drawers

CFO
RD
VTK ◆



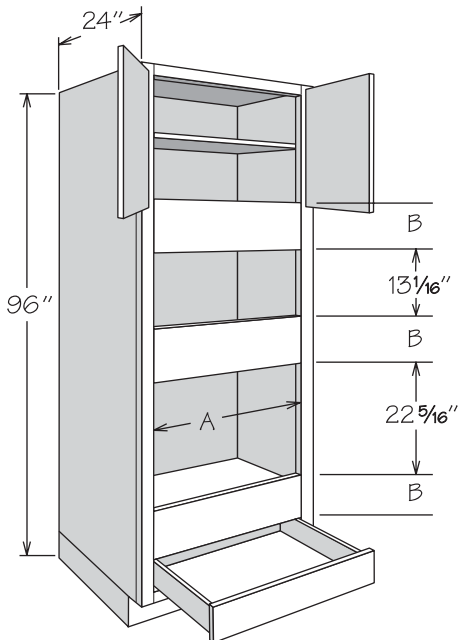
90" High Shown

- Features a solid back
- 3/8" stiles
- All door styles feature face-mount hinges
- Two standard drawers
- Shelf packaged separately for field installation
- Full-depth adjustable shelves and 3/4" engineered wood and edge banded on front edge only
- 4" inset toe kick assembly shipped inside 96" high cabinets - seam will be visible between toe kick box and side of cabinet
- Refer to appliance manufacturer's specifications for adequate clearances and required installation materials

	A ACTUAL	A MAX.	B ACTUAL	B MAX.
96"H • 2 Top Shelves				
OVD2796 AS BUTT 2DWR	20 3/4"	25"	33"	48 1/4"
OVD3096 AS BUTT 2DWR	23 3/4"	28"	33"	48 1/4"
OVD3396 AS BUTT 2DWR	26 3/4"	31"	33"	48 1/4"
90"H • 1 Top Shelf				
OVD2790 AS BUTT 2DWR ◆	20 3/4"	25"	32 5/8"	47 7/8"
OVD3090 AS BUTT 2DWR ◆	23 3/4"	28"	32 5/8"	47 7/8"
OVD3390 AS BUTT 2DWR ◆	26 3/4"	31"	32 5/8"	47 7/8"
84"H • No Shelf				
OVD2784 BUTT 2DWR ◆	20 3/4"	25"	33"	48 1/4"
OVD3084 BUTT 2DWR ◆	23 3/4"	28"	33"	48 1/4"
OVD3384 BUTT 2DWR ◆	26 3/4"	31"	33"	48 1/4"

Oven Microwave Cabinet • 2 Butt Doors and 1 Drawer

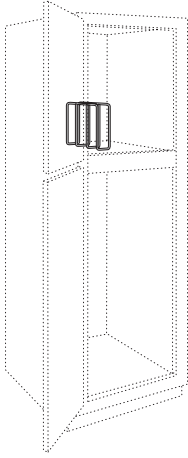
CFO
RD



- Features a solid back
- 3/8" stiles
- All doors feature face-mount hinges
- Features one standard drawer
- Shelving packaged separately for field installation
- 4" inset toe-kick assembly shipped as two pieces inside cabinet - seam will be visible between toe kick and side of cabinet
- For use with built-in style microwaves only
- Features one full-depth 3/4" engineered wood shelf edge banded on front edge only (for top section)
- Refer to appliance manufacturer's specifications for adequate clearance and required installation materials

	A ACTUAL	A MAX.	B ACTUAL	B MAX.
96"H • 1 Top Shelf				
OMC3396 AS BUTT	26 3/4"	31"	9 1/4"	2 3/4"

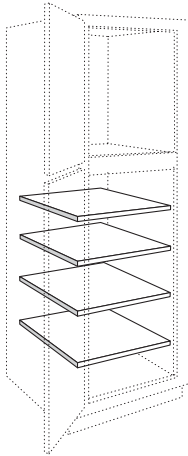
Cabinet Tray Divider



- Field installation accessory
- Chrome finish
- Mounting hardware included
- Overall dimensions: 2 $\frac{7}{8}$ " wide x 9 $\frac{5}{16}$ " high x 11 $\frac{3}{4}$ " deep
- Order Cabinet Tray Dividers individually
- For use in 24" deep cabinets or cabinets with RD-23 through RD-14

TD3

Adjustable Shelves



- Field installation accessory
- $\frac{3}{4}$ " engineered wood
- Edge banded on front edge only
- CLIP LOCK shelf rests included

ADJUSTABLE SHELF

12" Deep

S1212
S1512
S1812
S2112
S2412
S3612

24" Deep

S1224
S1524
S1824
S2124
S2424
S2724
S3024
S3324
S3624

4 PACK SHELF KIT

12" Deep

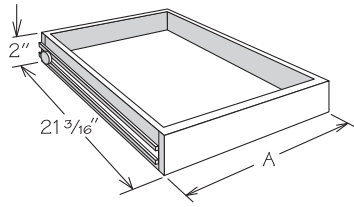
SK1212
SK1512
SK1812
SK2112
SK2412
SK3612

24" Deep

SK1224
SK1524
SK1824
SK2124
SK2424
SK2724
SK3024
SK3324
SK3624

Sliding Shelves and Sliding Shelf Kits

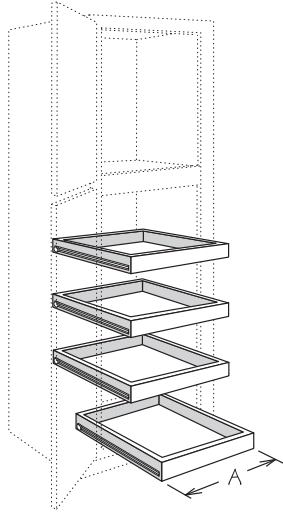
RD



- Field installation accessory
- Engineered wood drawer with solid hardwood front, MDF bottom, and side-mounted drawer glides
- Includes sliding shelf, all glide hardware, and instructions

OVEN SIZE

SSK24	OVS27
SSK27	OVS30
SSK30	OVS33

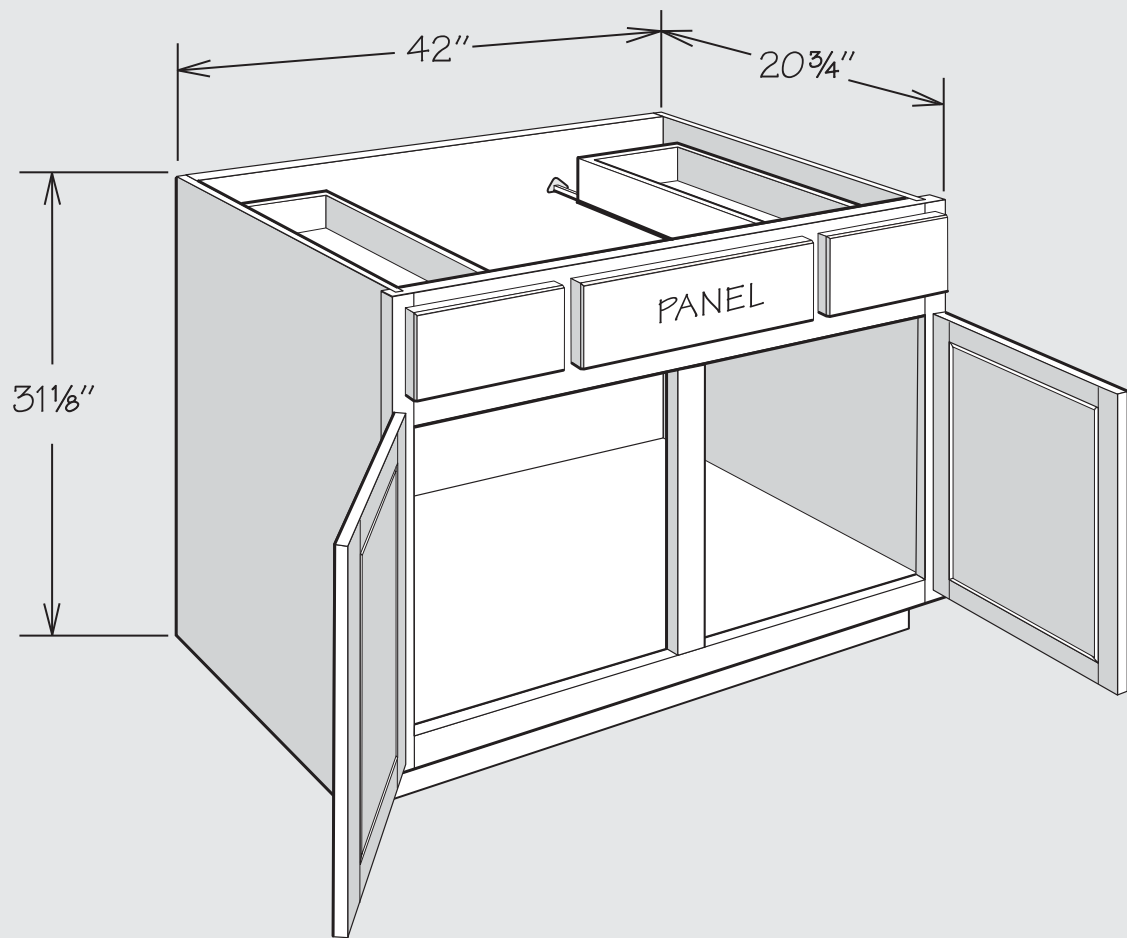


SLIDING SHELF KIT	4 PACK SLIDING SHELF KIT	A
SSK12	USS12-4K	8 1/2"
SSK15	USS15-4K	11 1/2"
SSK18	USS18-4K	14 1/2"
SSK21	USS21-4K	17 1/2"
SSK24	USS24-4K	20 1/2"
SSK27	USS27-4K	23 1/2"
SSK30	USS30-4K	26 1/2"
SSK33	USS33-4K	29 1/2"
SSK36	USS36-4K	32 1/2"

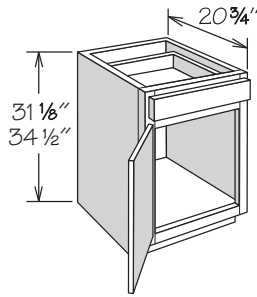
TALL CABINETS

Notes

VANITY CABINETS



Vanity Base • 1 Door



- No shelf
- Not drilled for adjustable shelf
- Door is hinged left and can be reversed in the field

CFO
RD
RTK
VTK

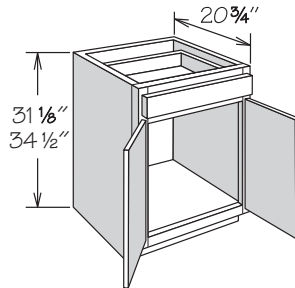
34 1/2" HIGH

VB1234H
VB1534H
VB1834H
VB2134H

31 1/8" HIGH

VB12
VB15
VB18
VB21

Vanity Base • 2 Butt Doors and 1 Drawer



- No shelf
- Not drilled for adjustable shelf

CFO
RD
RTK
VTK

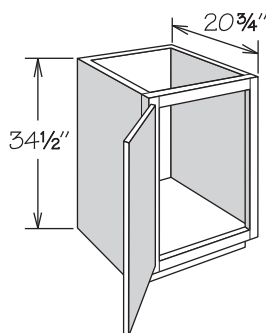
34 1/2" HIGH

VB2434H BUTT
VB2734H BUTT
VB3034H BUTT
VB3334H BUTT
VB3634H BUTT

31 1/8" HIGH

VB24 BUTT
VB27 BUTT
VB30 BUTT
VB33 BUTT
VB36 BUTT

Vanity Full-Height Base • 1 Door



- Full-height door
- No shelf
- Not drilled for adjustable shelf
- Door is hinged left and can be reversed in the field

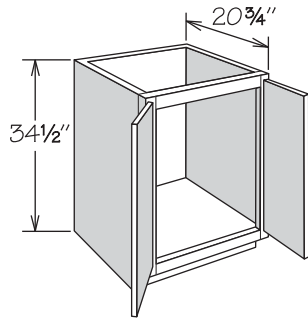
CFO
RD
RTK
VTK

34 1/2" HIGH

VB1234H FH
VB1534H FH
VB1834H FH
VB2134H FH

Vanity Full-Height Base • 2 Butt Doors

CFO
RD
RTK
VTK



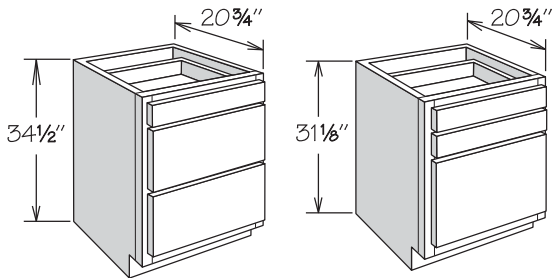
- Full-height doors
- No shelf
- Not drilled for adjustable shelf

34 1/2" HIGH

VB2434H BUTT FH
VB3034H BUTT FH
VB3634H BUTT FH

Vanity Drawer Base

CFO
RD
RTK
VTK



- VDB_34H features one standard and two large drawers
- VDB_ features one large and two standard drawers

34 1/2" HIGH

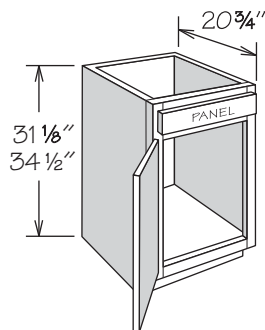
VDB1234H
VDB1534H
VDB1834H
VDB2134H
VDB2434H

31 1/8" HIGH

VDB12
VDB15
VDB18
VDB21
VDB24

Vanity Sink Base • 1 Door

CFO
RD
RTK
VTK



- No shelf
- Subtract 1 1/2" from depth and width for available sink bowl opening- removal of corner blocks may be required
- Door is hinged left and can be reversed in the field

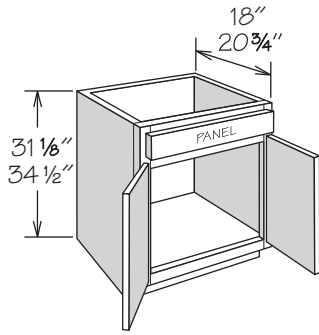
34 1/2" HIGH

VSB1534H
VSB1834H
VSB2134H

31 1/8" HIGH

VSB15
VSB18
VSB21

Vanity Sink Base • 2 Butt Doors



- No shelf
- Subtract 1/2" from depth and width for available sink bowl opening - removal of corner blocks may be required

CFO
RD
RTK
VTK

34 1/2" HIGH

20 3/4" Deep

VSB2434H BUTT
VSB2734H BUTT
VSB3034H BUTT
VSB3334H BUTT
VSB3634H BUTT

18" Deep

VSB241834H BUTT
VSB301834H BUTT
VSB361834H BUTT

31 1/8" HIGH

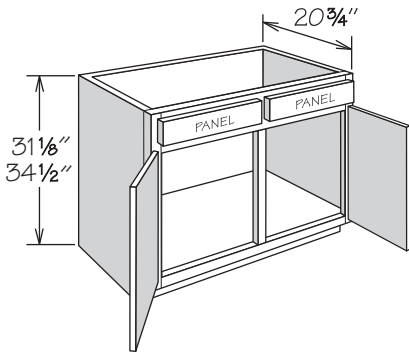
20 3/4" Deep

VSB24 BUTT
VSB27 BUTT
VSB30 BUTT
VSB33 BUTT
VSB36 BUTT

18" Deep

VSB2418 BUTT
VSB3018 BUTT
VSB3618 BUTT

Vanity Sink Base • 2 Doors



- No shelf
- Subtract 1/2" from depth and width for available sink bowl opening - removal of corner blocks may be required

CFO
RD
RTK
VTK

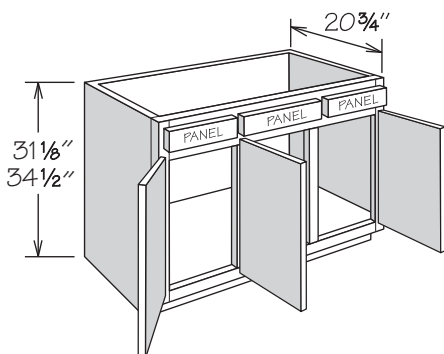
34 1/2" HIGH

VSB3934H
VSB4234H

31 1/8" HIGH

VSB39
VSB42

Vanity Sink Base • 3 Doors



- No shelf
- Subtract 1/2" from depth and width for available sink bowl opening - removal of corner blocks may be required
- Hinged as shown - can be reversed in the field

CFO
RD
RTK
VTK

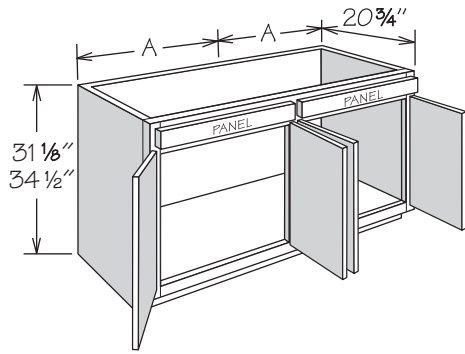
34 1/2" HIGH

VSB4834H

31 1/8" HIGH

VSB48

Vanity Sink Base • 4 Butt Doors

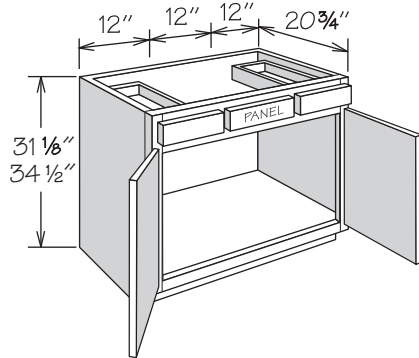


- No shelf
- Subtract 1/2" from depth and each dimension A for available sink bowl openings - removal of corner blocks may be required

CFO
RD
RTK
VTK

34 1/2" HIGH	A	31 1/8" HIGH	A
VSB5434H BUTT	27"	VSB54 BUTT	27"
VSB6034H BUTT	30"	VSB60 BUTT	30"

Vanity Sink Base • 2 Butt Doors and 2 Drawers

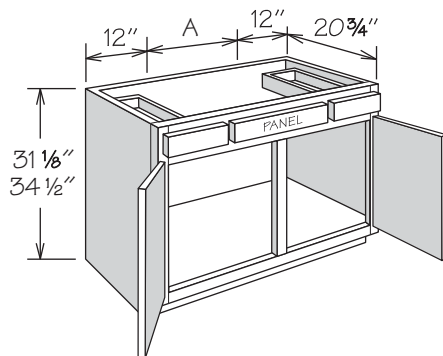


- No shelf
- Top drawer on each side of sink bowl opening
- Subtract 1/2" from depth for available sink bowl opening
- Features two DRB9_ to accommodate sink bowl opening up to 18"

CFO
RD
RTK
VTK

34 1/2" HIGH	31 1/8" HIGH
VAN3634H BUTT	VAN36 BUTT

Vanity Sink Base • 2 Doors and 2 Drawers

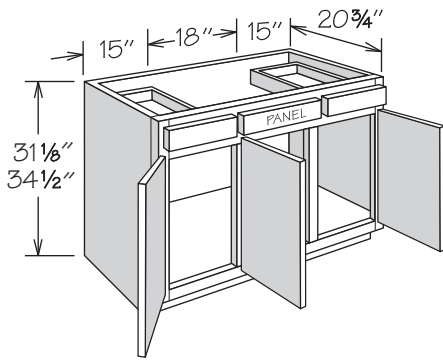


- No shelf
- Top drawer on each side of sink bowl opening
- Subtract 1/2" from depth for available sink bowl opening

CFO
RD
RTK
VTK

34 1/2" HIGH	A	MAX. SINK OPENING	31 1/8" HIGH	A	MAX. SINK OPENING
VAN3934H	15"	18"	VAN39	15"	18"
VAN4234H	18"	21"	VAN42	18"	21"

Vanity Sink Base • 3 Doors and 2 Drawers



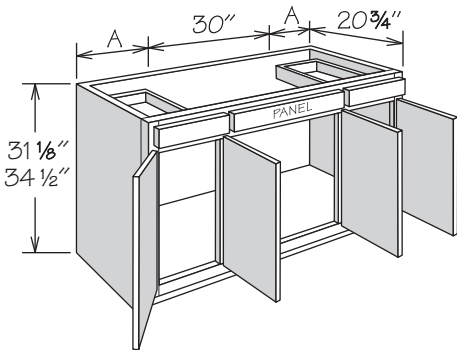
- No shelf
- Top drawer on each side of sink bowl opening
- Subtract 1/2" from depth for available sink bowl opening
- Hinged as shown – can be reversed in the field
- Maximum sink bowl opening is 21" wide

CFO
RD
RTK
VTK

34 1/2" HIGH
VAN4834H

31 1/8" HIGH
VAN48

Vanity Sink Base • 4 Butt Doors and 2 Drawers



- No shelf
- Top drawer on each side of sink bowl opening
- Subtract 1/2" from depth for available sink bowl opening
- Maximum sink bowl opening is 33" wide

CFO
RD
RTK
VTK

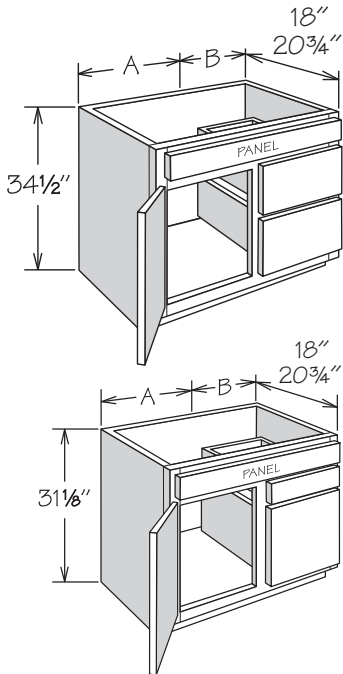
34 1/2" HIGH
VAN5434H BK BUTT
VAN6034H BK BUTT

A
12"
15"

31 1/8" HIGH
VAN54 BK BUTT
VAN60 BK BUTT

A
12"
15"

Vanity Combo Sink Base • 1 Door and 2 Drawers



- No shelf
- Allow for plumbing placement to clear drawers
- Drawers available on right or left side (please specify)
- Cabinet shown is right indicating drawers on the right side of the cabinet
- Subtract 1/2" from depth and overall cabinet width for available sink bowl opening - removal of corner blocks may be required

CFO
RD
RTK
VTK

34 1/2" HIGH
20 3/4" Deep

VSDB2434H BK
VSDB2734H BK
VSDB3034H BK
VSDB3334H BK
VSDB3634H BK

A

B

31 1/8" HIGH
20 3/4" Deep

VSDB24 BK
VSDB27 BK
VSDB30 BK
VSDB33 BK
VSDB36 BK

A

B

18" Deep

VSDB241834H BK
VSDB271834H BK
VSDB301834H BK
VSDB331834H BK
VSDB361834H BK

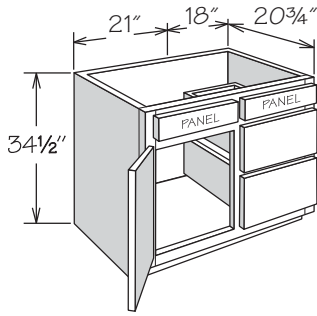
18" Deep

VSDB2418 BK
VSDB2718 BK
VSDB3018 BK
VSDB3318 BK
VSDB3618 BK

12" 12"
15" 12"
18" 12"
21" 12"
21" 15"

12" 12"
15" 12"
18" 12"
21" 12"
21" 15"

Vanity Combo Sink Base • 1 Door and 2 Drawers

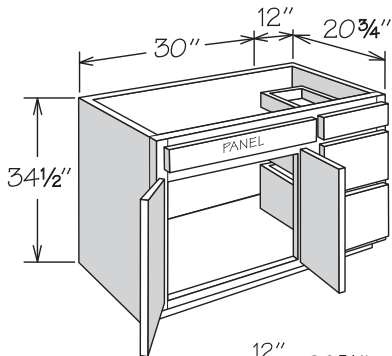


- No shelf
- Allow for plumbing placement to clear drawers
- Drawers available on right or left side (please specify)
- Cabinet shown is right indicating drawers on the right side of the cabinet
- Subtract 1 1/2" from depth and overall cabinet width for available sink bowl opening - removal of corner blocks may be required

CFO
RD
RTK
VTK

34 1/2" HIGH
VSDB3934H BK

Vanity Combo Sink Base • 2 Butt Doors and 3 Drawers

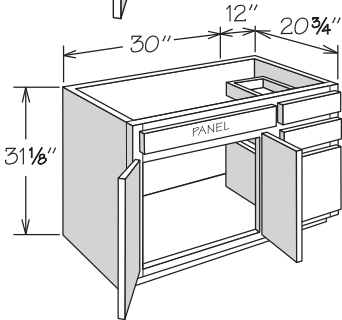


- No shelf
- Drawers available on right or left side (please specify)
- Cabinet shown is right indicating drawers on the right side of the cabinet
- Maximum sink bowl opening is 28 1/2" wide
- Requires off center sink bowl opening

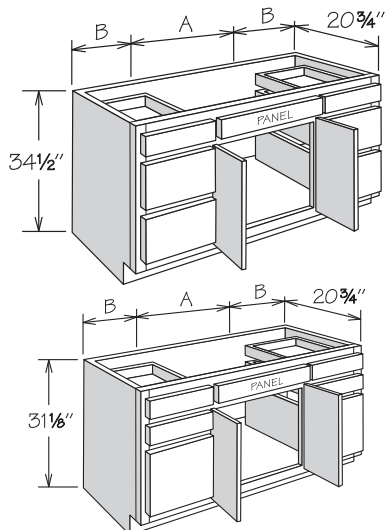
CFO
RD
RTK
VTK

34 1/2" HIGH
VSDB4234H BK BUTT

31 1/8" HIGH
VSDB42 BK BUTT



Vanity Combo Sink Base • 2 Butt Doors and 6 Drawers



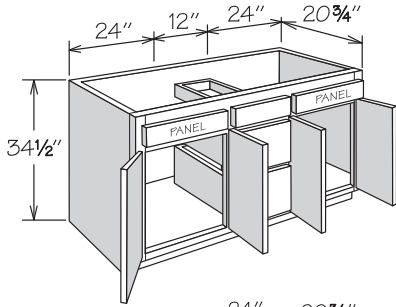
- No shelf
- Subtract 1 1/2" from depth and dimension A for available sink bowl opening - removal of corner blocks may be required

CFO
RD
RTK
VTK

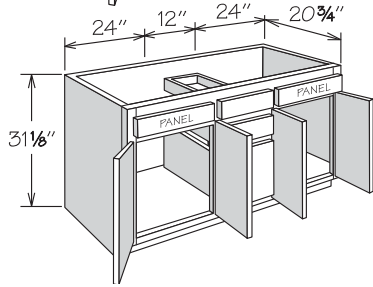
	34 1/2" HIGH		31 1/8" HIGH		
	A	B	A	B	
VSDB4834HD BK BUTT	24"	12"	VSDB48D BK BUTT	24"	12"
VSDB5434HD BK BUTT	24"	15"	VSDB54D BK BUTT	24"	15"
VSDB6034HD BK BUTT	30"	15"	VSDB60D BK BUTT	30"	15"

Vanity Combo Sink Base • 4 Butt Doors and 3 Drawers

CFO
RD
RTK



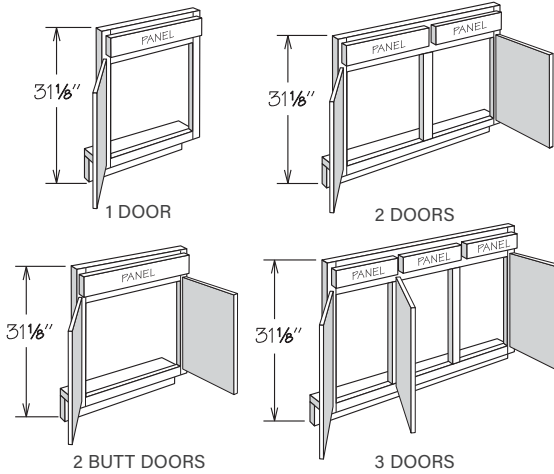
- No shelf
- Subtract 1/2" from depth and each 24" dimension for available sink bowl openings



34 1/2" HIGH
VSDB6034HC BK BUTT

31 1/8" HIGH
VSDB60C BK BUTT

Vanity Sink Front



- Not trimmable
- Order floor and returns separately (field trimming may be required) – refer to Panel Section for availability (page 139)
- VSF48 hinged as shown, can be reversed in field

31 1/8" HIGH

1 Door

VSF21

2 Butt Doors

VSF24 BUTT

VSF30 BUTT

VSF36 BUTT

2 Doors

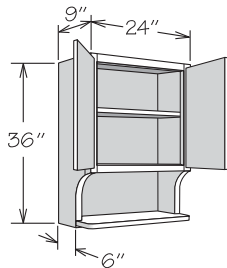
VSF39

VSF42

3 Doors

VSF48

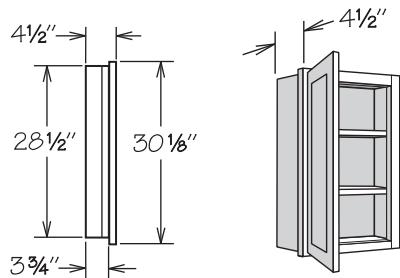
Valet Cabinet • 2 Butt Doors



- Matching interior standard
- Flush sides with no face frame or 1/4" reveals
- Bottom opening: 22 1/2" x 10 7/8"
- Features a fixed shelf
- Sides and bottom shelf feature 3/4" engineered wood veneered on both sides

36" HIGH
VC2436 BUTT

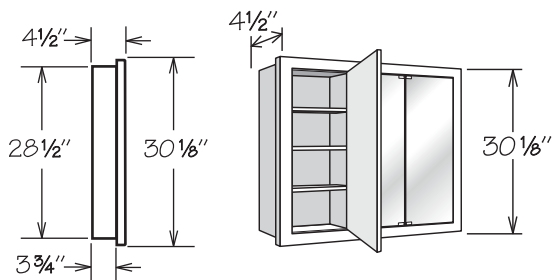
Medicine Cabinet • 1 Door



- Two adjustable engineered wood shelves
- Surface or recess mount
- MCM1530 features a mirrored door
- For surface mount installation of wood door styles, trim and apply WEP30 (order separately) to match finish on exterior sides to cabinet frame

28 1/2" HIGH	RECESS MOUNT CUTOUT WIDTH	RECESS MOUNT CUTOUT HEIGHT
MC1530	14 1/2"	28 1/2"
MCM1530	14 1/2"	28 1/2"

Tri-View Mirror • 3 Doors NEW! PRODUCT

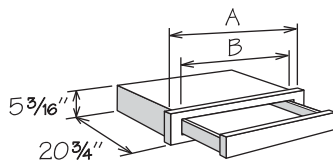


- **UPDATE:** Now features shaker frame detail
- All three mirrored doors swing open for easy access to the six adjustable shelves
- Surface or recess mount
- For surface mount installation of wood door styles, trim and apply WEP30 (order separately) to match finish on exterior sides to cabinet frame
- Chrome hardware
- Painted Pewter, and Duraform/Painted Linen door styles feature Matching Interior standard

	OVERALL WIDTH	OVERALL HEIGHT	RECESS MOUNT CUTOUT WIDTH	RECESS MOUNT CUTOUT HEIGHT
TV3030	30"	30 1/8"	28 1/2"	28 1/2"
TV3630	36"	30 1/8"	34 1/2"	28 1/2"

Kneehole Drawer Cabinet

RD

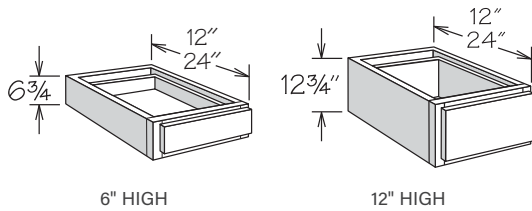


- Designed for desk or vanity application
- Field trimmable in height to 4 3/4"
- Field trimmable in depth to 18" or available with RD-20 through RD-12
- Drawer front complements door style - refer to door style section

	A	B	MAX. TRIM
KDC27/21	27"	17 3/4"	21" (3" each side)
KDC33/27	33"	23 3/4"	27" (3" each side)
KDC36/33	36"	29 3/4"	33" (1 1/2" each side)

Furniture Drawer Cabinet • 1 Drawer

CFO
RD ■



- 6" high features one standard drawer and 12" high features one large drawer
- 24" deep Furniture Drawer cabinets are only available with RD-23 through RD-13
- Bottom of cabinet frame must be fully supported

6" HIGH • 1 DRAWER

12" Deep

FD121206
FD151206
FD181206
FD211206
FD241206
FD271206
FD301206
FD331206
FD361206

24" Deep

FD122406 ■
FD152406 ■
FD182406 ■
FD212406 ■
FD242406 ■
FD272406 ■
FD302406 ■
FD332406 ■
FD362406 ■

12" HIGH • 1 DRAWER

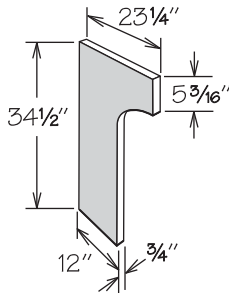
12" Deep

FD121212
FD151212
FD181212
FD211212
FD241212
FD271212
FD301212
FD331212
FD361212

24" Deep

FD122412 ■
FD152412 ■
FD182412 ■
FD212412 ■
FD242412 ■
FD272412 ■
FD302412 ■
FD332412 ■
FD362412 ■

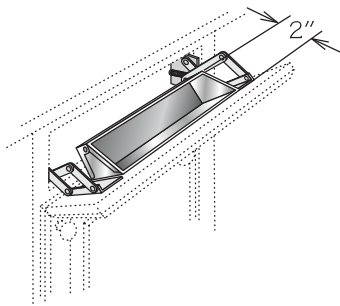
Desk End Panel



- All door styles feature 3/4" veneered engineered wood finished to match cabinet box exterior on both sides
- Recommend QM8 be ordered for installation to ensure proper attachment to wall
- Field trimmable
- Edge banded on front

34 1/2" HIGH
DEP

Tilt-Out Tray Kit



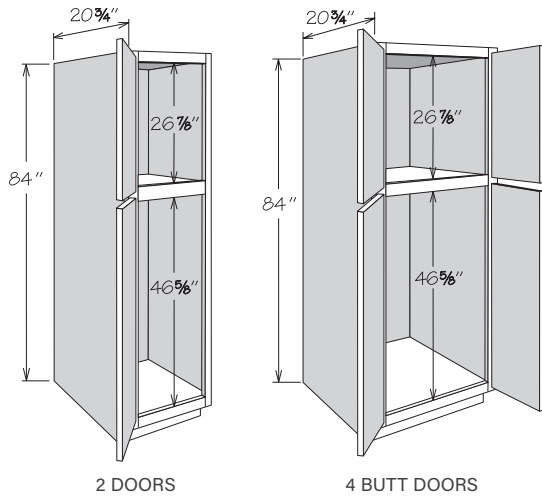
- Field installation accessory
- Kit features tray and one pair of scissor hinges
- For use on existing drawer panels
- Order one STO TRAY 11 for:
 - » VSB18 or VSB48 (center only)
 - » VAN48
 - » VSDB30 (above door only)
- Order one STO TRAY 14 for:
 - » VSB21, VSB24 or VSB27
 - » VSDB24, VSDB27, VSDB33, VSDB36 or VSDB39 (above door only)
 - » VSDB48D or VSDB54D
- Order two STO TRAY 14 for:
 - » VSB42 or VSB54
 - » VSDB60C
- Order one STO TRAY 22 for:
 - » VSB30, VSB33 or VSB36
 - » VAN54 or VAN60
 - » VSDB42
 - » VSDB60D
- Order two STO TRAY 22 for:
 - » VSB60
- Sink front, base height, and 18" deep units match vanity sink base sizes as noted above
- Tilt-Out Trays are NOT dishwasher safe

STAINLESS

STO TRAY 11
STO TRAY 14
STO TRAY 22

Vanity Linen Cabinet

CFO
MI ■
RD



- Shelving and optional interior accessories may be ordered separately (refer to vanity linen cabinet accessories for details)
- Cabinet backs are pre-drilled to accept up to four sliding shelves in lower section
- Two door cabinets must be ordered hinged left or right
- Specialty Door cabinets (SD) feature Matching Interior standard and require a specialty door selection
- Bottom doors have a center rail for select door styles - refer to door style section

2 DOORS

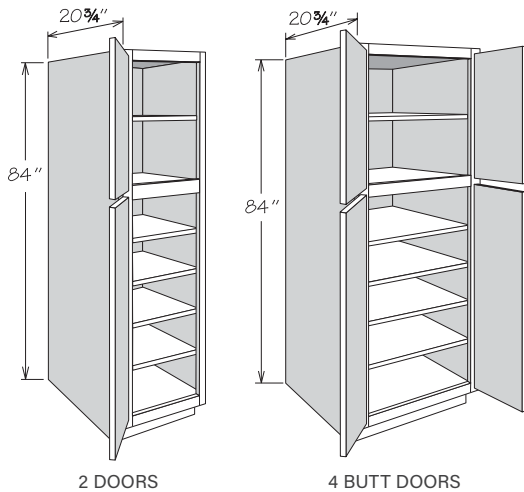
VLC122184 ■
 VLC152184 ■
 VLC182184 ■
 VLC122184 SD
 VLC152184 SD
 VLC182184 SD

4 BUTT DOORS

VLC242184 BUTT ■
 VLC242184 BUTT SD

Vanity Linen Cabinet • with Adjustable Shelves

MI ■
RD



- Features one full-depth adjustable shelf in top section and four full-depth adjustable shelves in lower section
- Full-depth adjustable shelves are 3/4" engineered wood and edge banded on front edge only
- All shelving packaged separately
- Two door cabinets must be ordered hinged left or right
- Specialty Door cabinets (SD) feature Matching Interior standard and require a specialty door selection
- Bottom doors have a center rail for select door styles - refer to door style section

2 DOORS

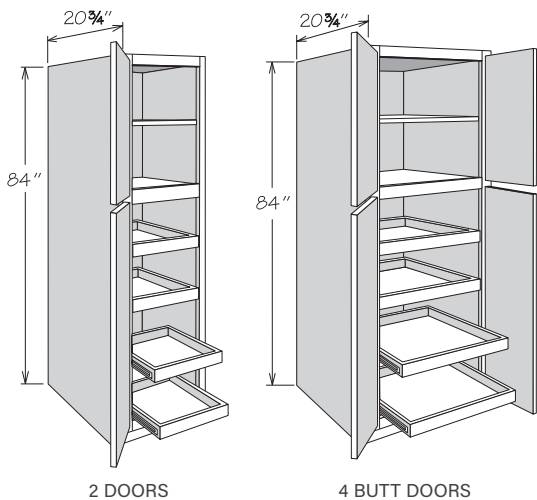
VLC122184 AS ■
 VLC152184 AS ■
 VLC182184 AS ■
 VLC122184 AS SD
 VLC152184 AS SD
 VLC182184 AS SD

4 BUTT DOORS

VLC242184 AS BUTT ■
 VLC242184 AS BUTT SD

Vanity Linen Cabinet • with Sliding Shelves

MI ■
RD



- Features one full-depth adjustable shelf in top section and four sliding shelves in lower section
- Full-depth adjustable shelf is 3/4" engineered wood and edge banded on front edge only
- Adjustable shelf and sliding shelves packaged separately
- Engineered wood sliding shelves included for all construction types
- Two door cabinets must be ordered hinged left or right
- Specialty Door cabinets (SD) feature Matching Interior standard and require a specialty door selection
- Bottom doors have a center rail for select door styles - refer to door style section

2 DOORS

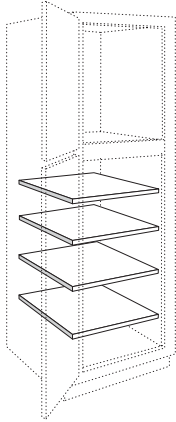
VLC122184 4SSK ■
 VLC152184 4SSK ■
 VLC182184 4SSK ■
 VLC122184 4SSK SD
 VLC152184 4SSK SD
 VLC182184 4SSK SD

4 BUTT DOORS

VLC242184 4SSK BUTT ■
 VLC242184 4SSK BUTT SD

Vanity Linen Cabinet • Adjustable Shelves

MI
RD



- Field installation accessory
- 3/4" engineered wood
- Edge banded on front edge only
- CLIP LOCK shelf rests included

ADJUSTABLE SHELF

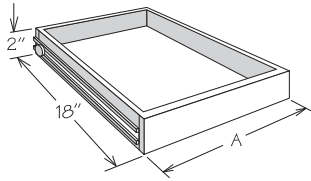
S1221
S1521
S1821
S2421

4 PACK SHELF KIT

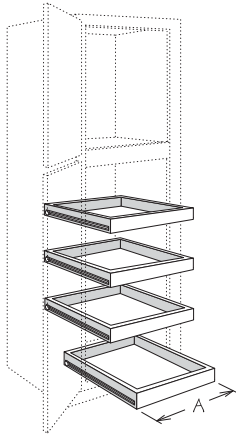
SK1221
SK1521
SK1821
SK2421

Vanity Linen Cabinet • Sliding Shelves

RD



- Field installation accessory
- Engineered wood sliding shelves with solid hardwood front, MDF bottom, and side-mounted drawer glides
- Includes sliding shelf, all glide hardware, and instructions



SLIDING SHELF KIT

SSK1221
SSK1521
SSK1821
SSK2421

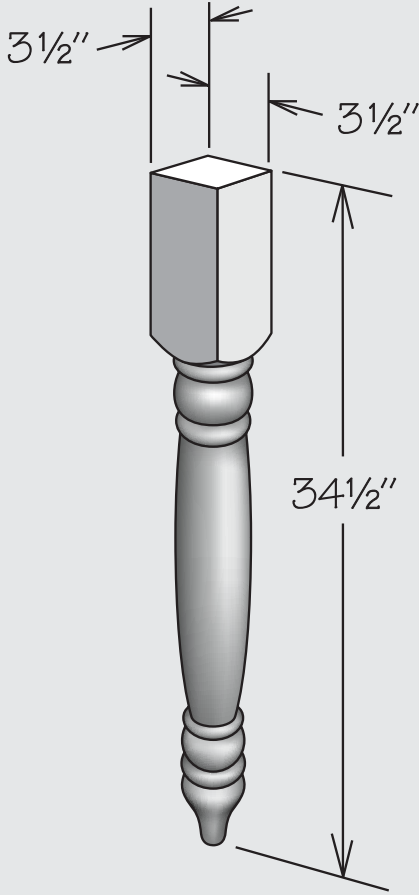
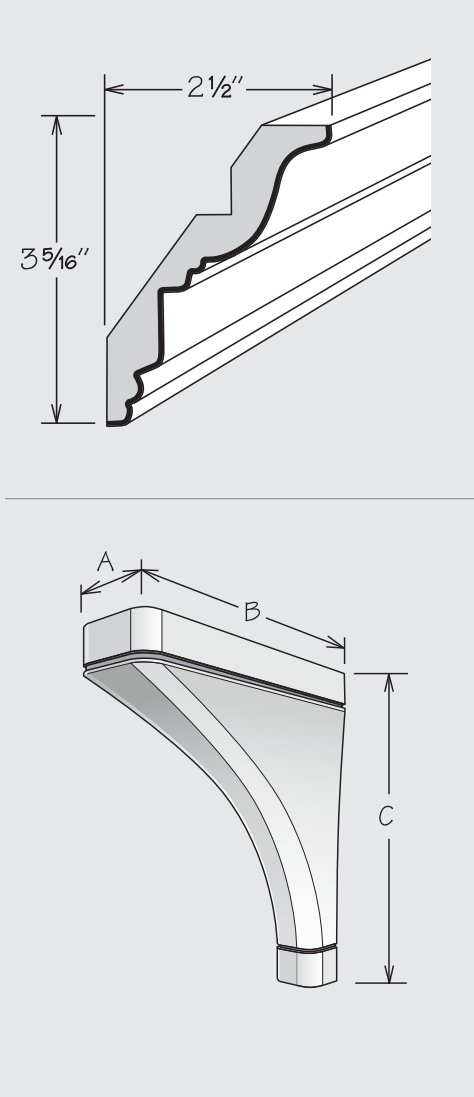
4 PACK SLIDING SHELF KIT

USS1221-4K
USS1521-4K
USS1821-4K
USS2421-4K

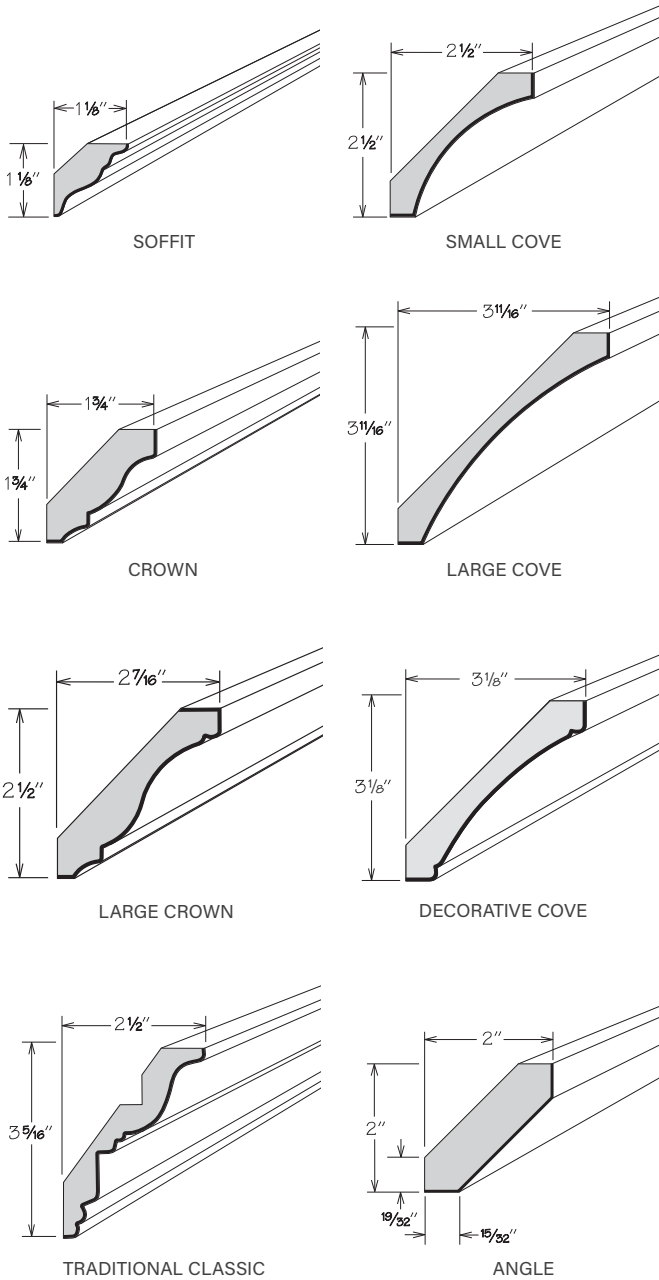
A

8 1/2"
11 1/2"
14 1/2"
20 1/2"

MOLDING & DECORATIVE ACCENTS



Crown Molding



- 94" long
- Solid wood finished to match cabinet box exterior
- TCCM8 may use OGE8, SBIM8, or SIM8 as accent
- Bold line indicates finished surfaces

SOFFIT

SCM8

SMALL COVE

SCVM8

CROWN

CM8

LARGE COVE

LCVM8

LARGE CROWN

LCM8

DECORATIVE COVE

DCVM8

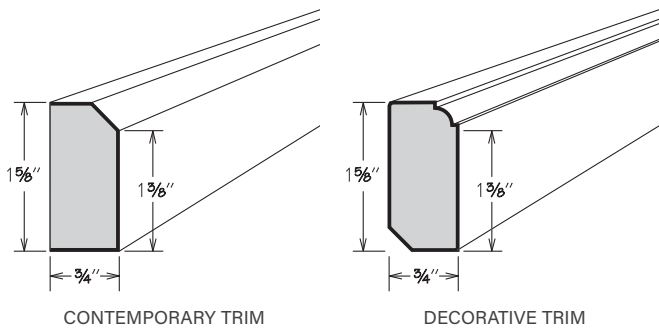
TRADITIONAL CLASSIC

TCCM8

ANGLE

ACM8

Edge Molding



- 94" long
- Solid wood finished to match cabinet box exterior
- Can be used as light rail molding (cleating may be required)
- Bold line indicates finished surfaces

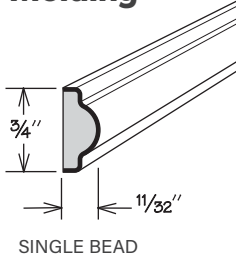
CONTEMPORARY TRIM

CTM8

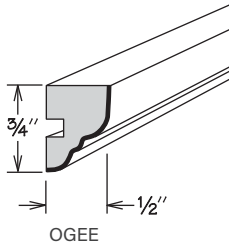
DECORATIVE TRIM

DCTM8

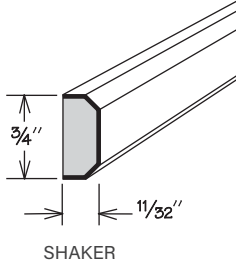
Inset Molding



SINGLE BEAD



OGEE



SHAKER

- 94" long
- Solid wood finished to match cabinet box exterior
- May be used as accent on TCCM8 and ILR8
- Bold line indicates finished surfaces

SINGLE BEAD

SBIM8

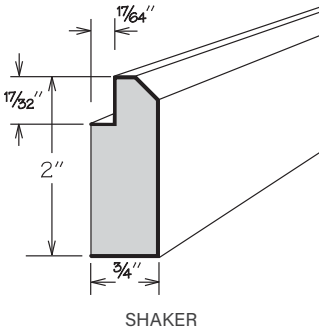
OGEE

OGE8

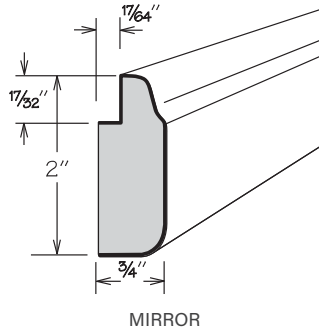
SHAKER

SIM8

Mirror Molding



SHAKER



MIRROR

- 94" long
- Solid wood finished to match cabinet box exterior
- Bold line indicates finished surfaces

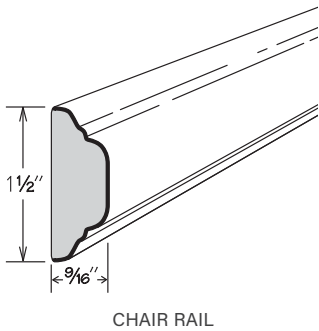
SHAKER

SMM8

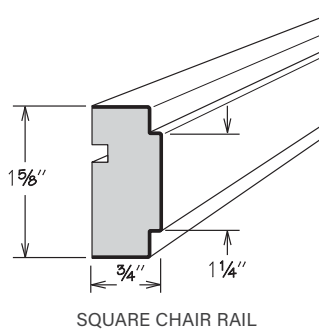
MIRROR

MM8

Chair Rail and Specialty Molding



CHAIR RAIL



SQUARE CHAIR RAIL

- 94" long
- Solid wood finished to match cabinet box exterior
- May be used as vertical decorative molding (i.e. seams between bookshelves or in lieu of an overlay filler)
- Bold line indicates finished surfaces

CHAIR RAIL

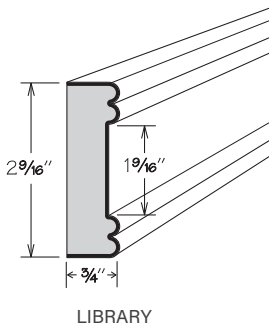
CR8

SQUARE CHAIR RAIL

SQCR8

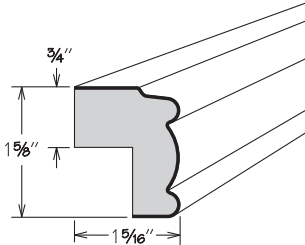
LIBRARY

LBM8

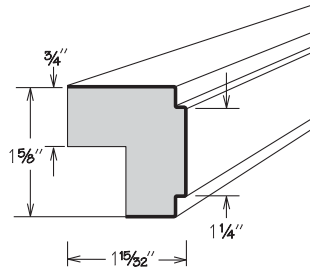


LIBRARY

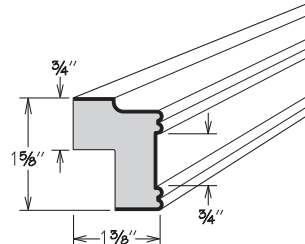
Light Rail Molding



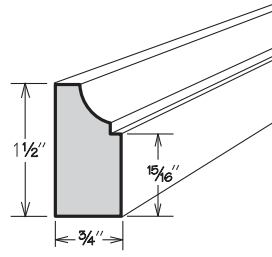
SMALL TRADITIONAL



SQUARE



INSET



CLASSIC TRIM

- 94" long
- Solid wood finished to match cabinet box exterior
- ILR8 and LBM8 may use SBIM8 or SIM8 as accent
- CLTM8 can be used as light rail or edge molding (cleating may be required when used as light rail)
- Bold line indicates finished surfaces

SMALL TRADITIONAL

STLR8

SQUARE

SCLR8

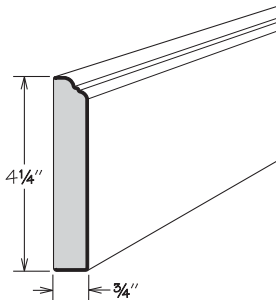
INSET

ILR8

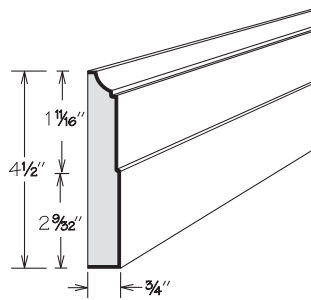
CLASSIC TRIM

CLTM8

Base Molding



OGEE PILASTER



CLASSIC BASEBOARD

- 94" long
- Solid wood finished to match cabinet box exterior
- For use with furniture toe or top molding applications
- Bold line indicates finished surfaces

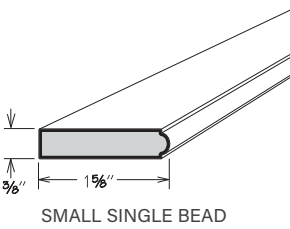
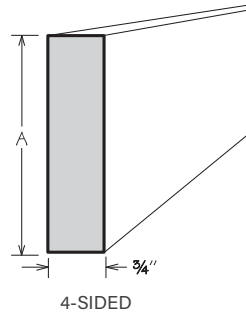
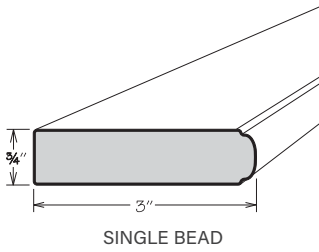
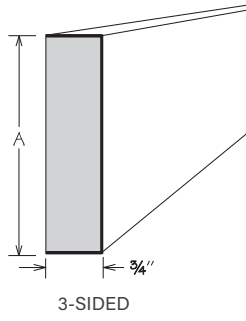
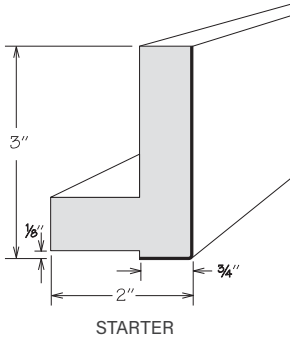
OGEE PILASTER

OGP8

CLASSIC BASEBOARD

CLBM8

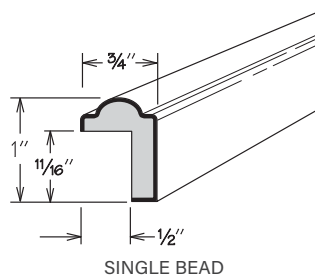
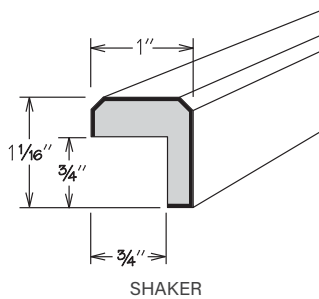
Molding Stock



- Solid wood finished to match cabinet box exterior
- 3-Sided and 4-Sided Stock may also be used in vertical applications (as a filler) or horizontal applications (as furniture toe)
- Bold line indicates finished surfaces

	LENGTH		LENGTH
STARTER		3-SIDED	
STRM8	94"	S3S396	96"
		S3S696	96"
SINGLE BEAD		4-SIDED	
SBM8	94"	S4S396	96"
SMALL SINGLE BEAD		S4S696	96"
SSBM8	94"		

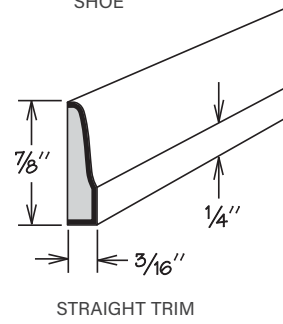
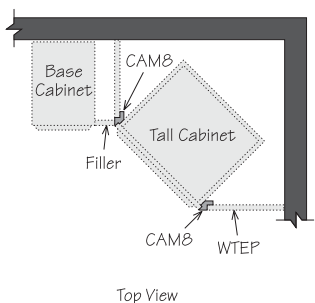
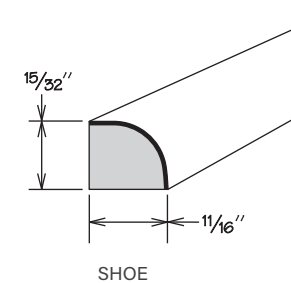
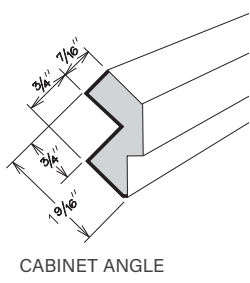
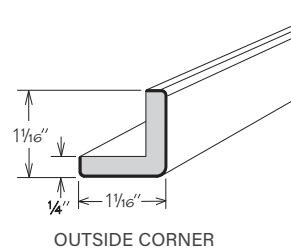
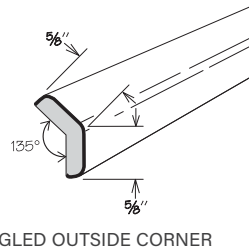
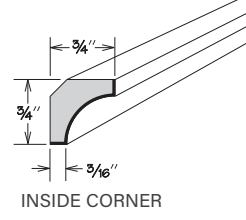
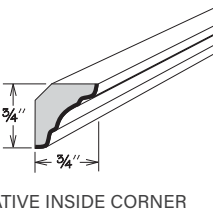
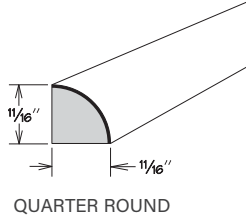
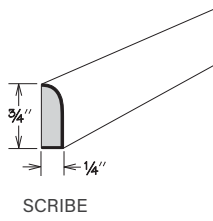
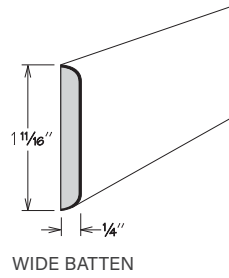
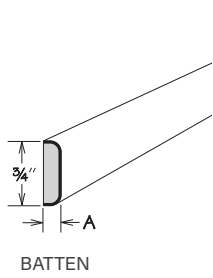
Accent Molding



- 94" long
- Solid wood finished to match cabinet box exterior
- May be used as accent on Wall China, Wine Storage and Base Microwave cabinets
- Bold line indicates finished surfaces

SHAKER	SINGLE BEAD
SAM8	SBAM8

Trim Molding

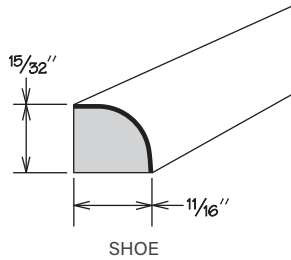
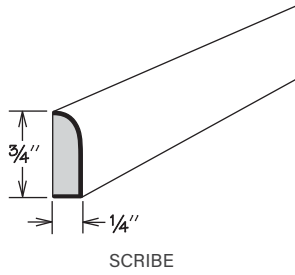
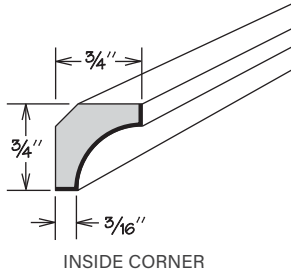
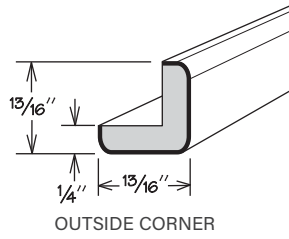
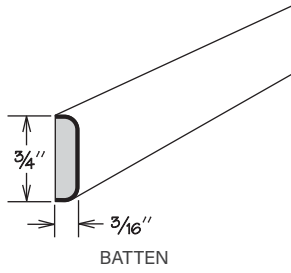


- Solid wood finished to match cabinet box exterior
- Cabinet Angle Molding (CAM8):
 - » Can be used in corner application to place cabinet at 45° angle
- Bold line indicates finished surfaces

	A	LENGTH		LENGTH
BATTEN			WIDE BATTEN	
BM8	3/8"	94"	WBM8	94"
SCRIBE			QUARTER ROUND	
SM8	—	94"	QR8	94"
SM10	—	120"	INSIDE CORNER	
DECORATIVE INSIDE CORNER			QM8	94"
ICM8	—	94"	OUTSIDE CORNER	
ANGLED OUTSIDE CORNER			OTCM8	94"
AOSC8	—	94"	SHOE	
CABINET ANGLE			SHM8	94"
CAM8	—	94"	STRAIGHT TRIM	
			UM8	94"

Builder Trim Molding

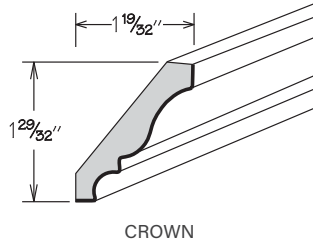
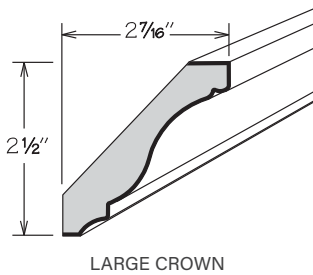
- All finishes feature stained, painted, or laminate wrapped hardwood or MDF finished to match cabinet box exterior
- Bold line indicates finished surfaces



	LENGTH		LENGTH
BATTEN		OUTSIDE CORNER	
BM8 BLD	94"	OCM8 BLD	94"
INSIDE CORNER		SCRIBE	
QM8 BLD	94"	SM8 BLD	96"
SHOE			
SHM8 BLD	94"		

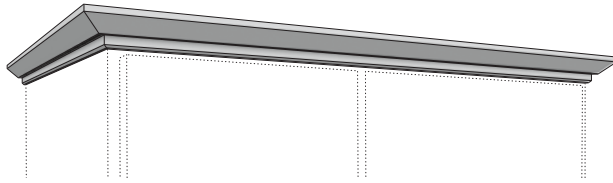
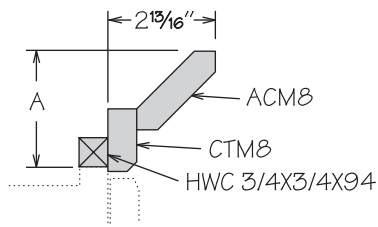
Builder Crown Molding

- 94" long
- All finishes feature stained, painted, or laminate wrapped hardwood or MDF finished to match cabinet box exterior
- Bold line indicates finished surfaces

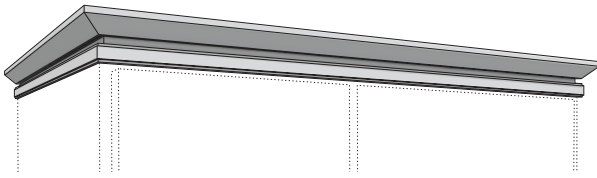
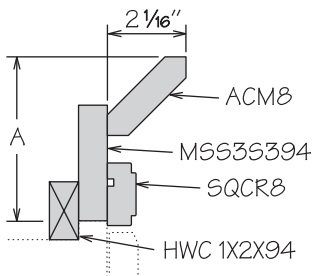


LARGE CROWN		CROWN	
LCM8 BLD		CM8 BLD	

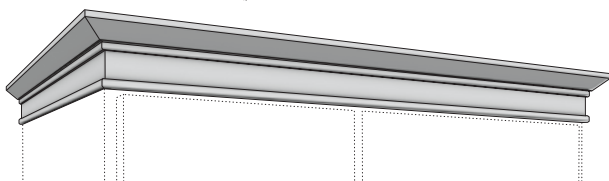
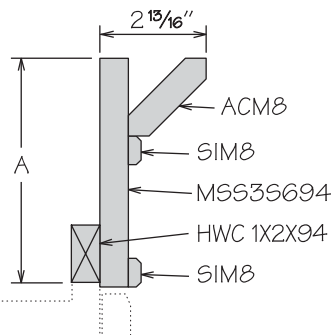
Molding Stack • Modern



MODERN 100



MODERN 200

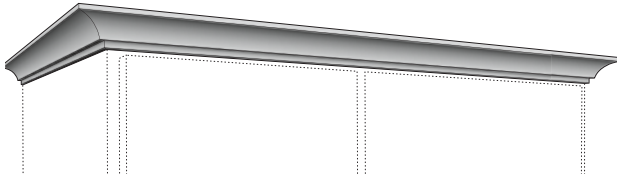
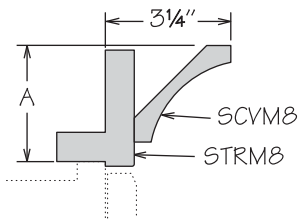


MODERN 300

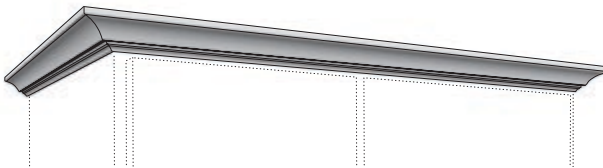
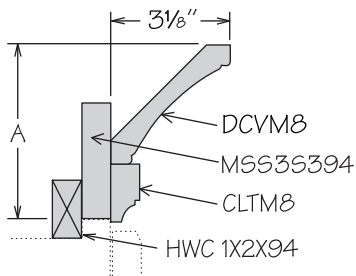
- 94" long
- All door styles feature solid wood finished to match cabinet box exterior
- Height dimensions are above the face-frame height when used as shown
- Modern 100 pre-packaged molding kit includes:
 - » ACM8
 - » CTM8
 - » HWC 3/4X3/4X94
- Modern 200 pre-packaged molding kit includes:
 - » ACM8
 - » MSS3S394
 - » SQCR8
 - » HWC 1X2X94
- Modern 300 pre-packaged molding kit includes:
 - » ACM8
 - » SIM8 (2)
 - » MSS3S694
 - » HWC 1X2X94
- Molding Stacks shipped unassembled
- Molding Stacks to be cut, assembled and field installed at job site
- Only one finish can be specified per Molding Stack
- Molding Stack diagram included
- Refer to specifications on individual molding included in molding stack

MODERN	HEIGHT SHOWN	A MIN.	A MAX.
MS MODERN 100	3"	2 ³ / ₁₆ "	3"
MS MODERN 200	4 ¹ / ₄ "	3 ⁹ / ₁₆ "	4 ¹ / ₂ "
MS MODERN 300	5 ⁷ / ₈ "	5 ⁷ / ₈ "	7 ³ / ₈ "

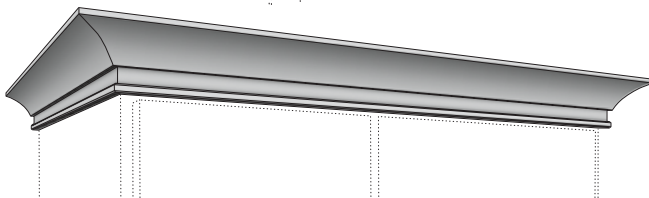
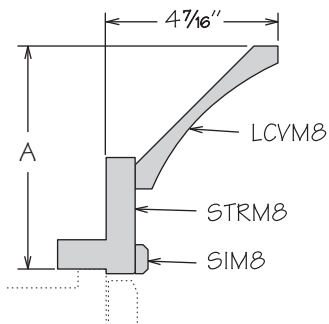
Molding Stack • Transitional



TRANSITIONAL 100



TRANSITIONAL 200

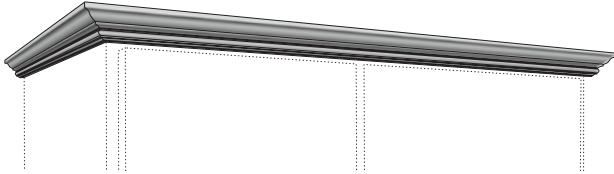
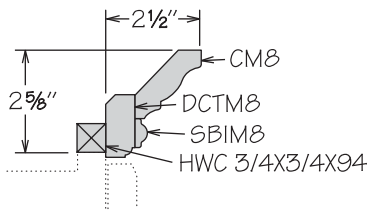


TRANSITIONAL 300

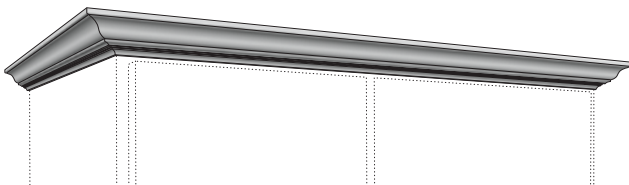
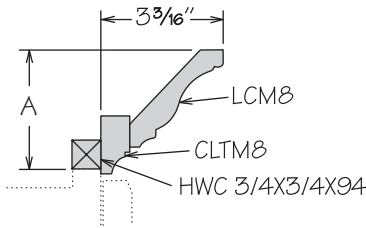
- 94" long
- All door styles feature solid wood finished to match cabinet box exterior
- Height dimensions are the above-face-frame height when used as shown
- Transitional 100 pre-packaged molding kit includes:
 - » SCVM8
 - » STRM8
- Transitional 200 pre-packaged molding kit includes:
 - » DCVM8
 - » MSS3S394
 - » CLTM8
 - » HWC 1X2X94
- Transitional 300 pre-packaged molding kit includes:
 - » LCVM8
 - » STRM8
 - » SIM8
- Molding Stacks shipped unassembled
- Molding Stacks to be cut, assembled and field installed at job site
- Only one finish can be specified per Molding Stack
- Molding Stack diagram included
- Refer to specifications on individual molding included in molding stack

TRANSITIONAL	HEIGHT SHOWN	A MIN.	A MAX.
MS TRANSITIONAL 100	3"	2 7/8"	4 3/4"
MS TRANSITIONAL 200	4 1/2"	4 1/2"	5 1/2"
MS TRANSITIONAL 300	5 3/4"	4 5/16"	5 15/16"

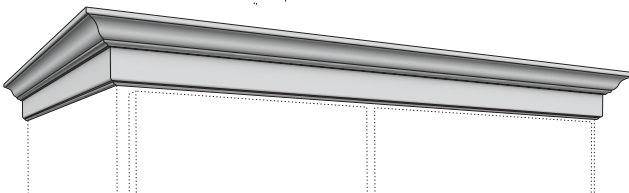
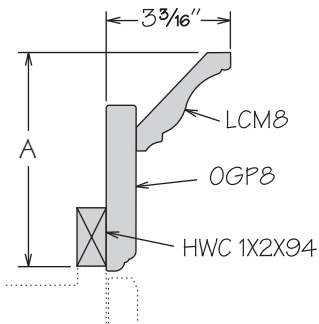
Molding Stack • Classic



CLASSIC 100



CLASSIC 200

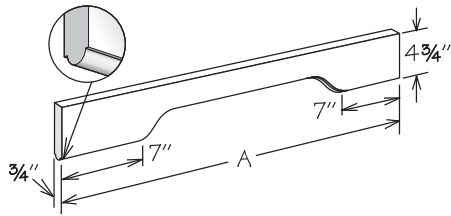


CLASSIC 300

- 94" long
- All door styles feature solid wood finished to match cabinet box exterior
- Height dimensions are the above-face-frame height when used as shown
- Classic 100 pre-packaged molding kit includes:
 - » CM8
 - » DCTM8
 - » SBIM8
 - » HWC 3/4X3/4X94
- Classic 200 pre-packaged molding kit includes:
 - » LCM8
 - » CLTM8
 - » HWC 3/4X3/4X94
- Classic 300 pre-packaged molding kit includes:
 - » LCM8
 - » OGP8
 - » HWC 1X2X94
- Molding Stacks shipped unassembled
- Molding Stacks to be cut, assembled and field installed at job site
- Only one finish can be specified per Molding Stack
- Molding Stack diagram included
- Refer to specifications on individual molding included in molding stack

CLASSIC	HEIGHT SHOWN	A MIN.	A MAX.
MS CLASSIC 100	2 5/8"	-	-
MS CLASSIC 200	3 1/16"	2 15/16"	3 5/16"
MS CLASSIC 300	5 1/2"	4 1/8"	6"

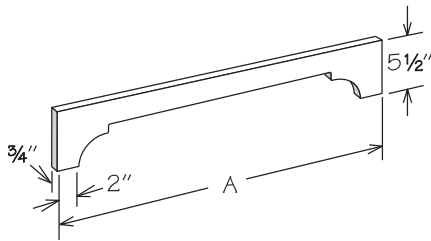
Arched Valance



- Field trimmable
- All door styles feature solid wood finished to match cabinet box exterior
- Dimension from height of arch to top of valance is 2 1/8"

	A	MAX. TRIM (6 1/8" each end)
V36 AR	36 1/4"	24"
V48 AR	48 1/4"	36"
V60 AR	60 1/4"	48"
V72 AR	72 1/4"	60"

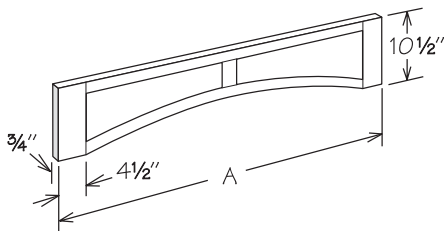
Crown Valance



- Field trimmable
- All door styles feature solid wood finished to match cabinet box exterior
- Dimension from height of arch to top of valance is 2 1/4"

	A	MAX. TRIM (1 1/2" each end)
V30 CR	30 1/4"	27 1/4"
V36 CR	36 1/4"	33 1/4"
V42 CR	42 1/4"	39 1/4"
V48 CR	48 1/4"	45 1/4"

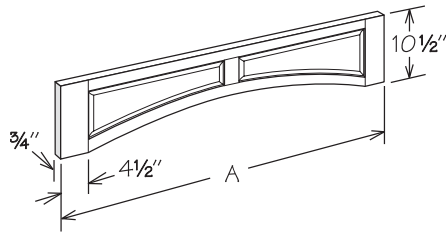
Flat Panel Arched Valance



- Field trimmable
- All door styles feature solid wood finished to match cabinet box exterior
- Dimension from height of arch to top of valance is 8 1/2"

	A	MAX. TRIM (3" each end)	NUMBER OF PANELS
V36 FP	36"	30"	2
V42 FP	42"	36"	2
V48 FP	48"	42"	2
V54 FP	54"	48"	3

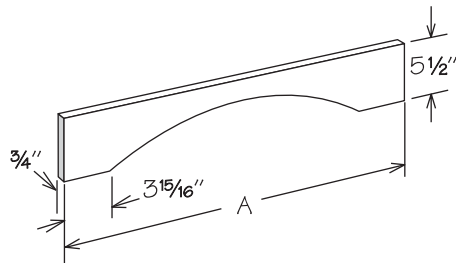
Raised Panel Arched Valance



- Field trimmable
- All door styles feature solid wood finished to match cabinet box exterior
- Dimension from height of arch to top of valance is 8 1/2"

	A	MAX. TRIM (3" each end)	NUMBER OF PANELS
V36 RP	36"	30"	2
V42 RP	42"	36"	2
V48 RP	48"	42"	2
V54 RP	54"	48"	3

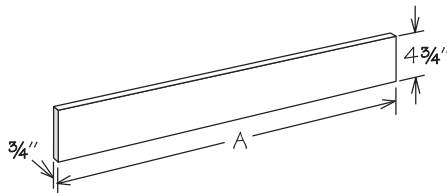
Shaker Valance



- Field trimmable
- All door styles feature solid wood finished to match cabinet box exterior
- Dimension from height of arch to top of valance is 2 1/4"

	A	MAX. TRIM (3 3/8" each end)
V30 SH	30 1/4"	24"
V36 SH	36 1/4"	30"
V42 SH	42 1/4"	36"
V48 SH	48 1/4"	42"
V60 SH	60 1/4"	54"
V72 SH	72 1/4"	66"

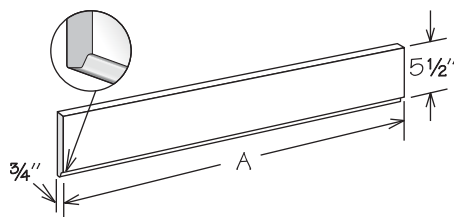
Straight Valance



- Field trimmable
- All door styles feature solid wood finished to match cabinet box exterior

	A
V48 S	48 1/4"
V72 S	72 1/4"

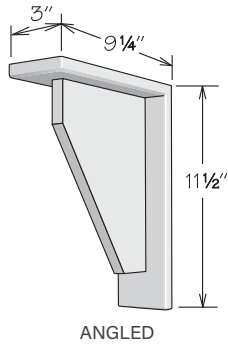
Traditional Valance



- Field trimmable
- All door styles feature solid wood finished to match cabinet box exterior

	A
V36 T	36 1/4"
V72 T	72 1/4"
V96 T	96 1/4"

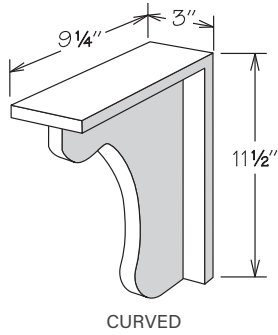
Angled Corbel



- All door styles feature 5/8" solid wood finished to match cabinet box exterior
- For decorative use only

AS12

Curved Corbel

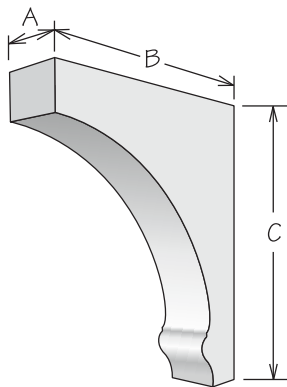


- All door styles feature 5/8" solid wood finished to match cabinet box exterior
- For decorative use only

CS12

Classic Corbels

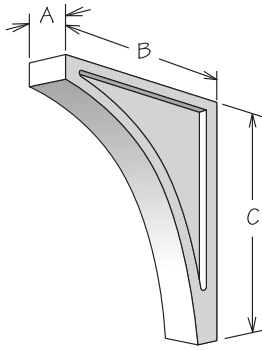
NEW! PRODUCTS



- All door styles feature solid wood finished to match cabinet box exterior
- Recessed mounting clips included
- For decorative use only

	A	B	C
CLC29	2"	5"	9"
CLC212	2"	9"	12"

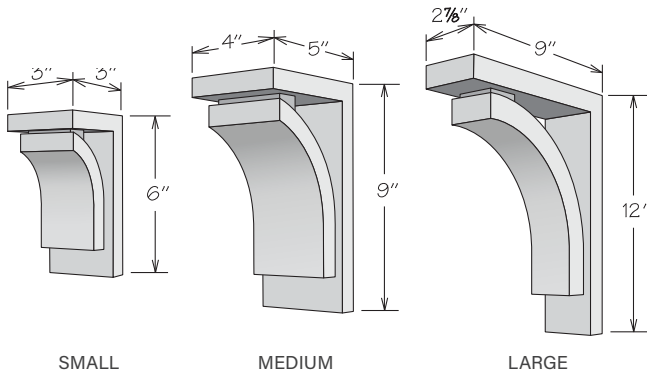
Cove Corbels



- All door styles feature solid wood finished to match cabinet box exterior - glazed finishes will be glazed
- Recessed mounting clips included
- For decorative use only

	A	B	C
CC29	1 3/4"	6"	9"
CC49	4"	5"	9"
CC212	1 3/4"	8"	12"

Prairie Corbels



- All door styles feature solid wood finished to match cabinet box exterior
- Recessed mounting clips included
- For decorative use only

SMALL

PC36

LARGE

PC312

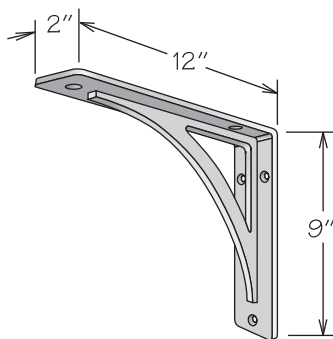
MEDIUM

PC49

Metal Cove Corbel

NEW!

FINISH



- Mounting clips included
- Can be installed using either height orientation
- Installation instructions included
- Will support up to 100 lbs. when installed per included installation instructions

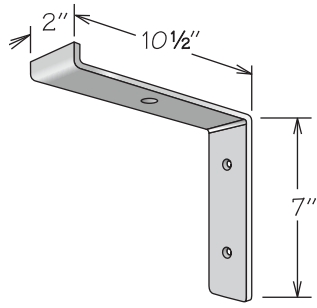
FINISH

METAL COVE 212 BG	Brushed Gold
METAL COVE 212 VB	Verona Bronze
METAL COVE 212 MB	Matte Black
METAL COVE 212 SN	Satin Nickel

Metal Emerson Corbel

NEW!

FINISH



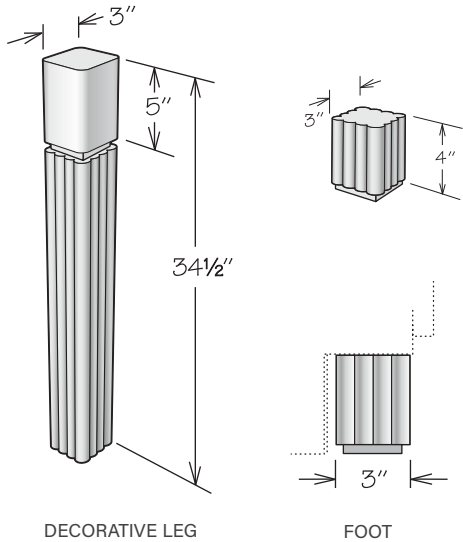
- Mounting clips included
- Installation instructions included
- Will support up to 100 lbs. when installed per included installation instructions

	FINISH
METAL EMERSON 27 BG	Brushed Gold
METAL EMERSON 27 VB	Verona Bronze
METAL EMERSON 27 MB	Matte Black
METAL EMERSON 27 SN	Satin Nickel

Aria Legs and Foot

NEW!

PRODUCT



DECORATIVE LEG

FOOT

- All door styles feature solid wood finished to match cabinet box exterior
- Leg is field trimmable
- Recommend ordering Table Skirting Furniture Bracket (TSFB) separately for decorative leg installation

DECORATIVE LEG

ARDL

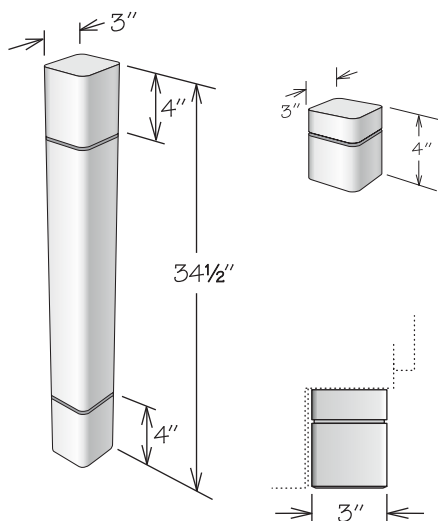
FOOT

ARDF

Era Legs and Foot

NEW!

PRODUCT



DECORATIVE LEG

FOOT

- All door styles feature solid wood finished to match cabinet box exterior
- Leg is field trimmable
- Recommend ordering Table Skirting Furniture Bracket (TSFB) separately for decorative leg installation

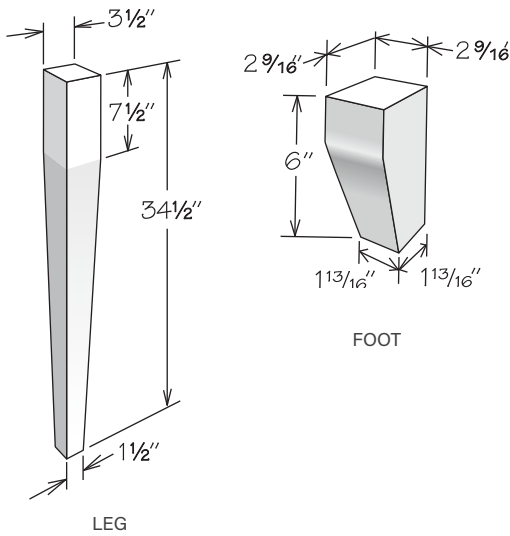
DECORATIVE LEG

ERDL

FOOT

ERDF

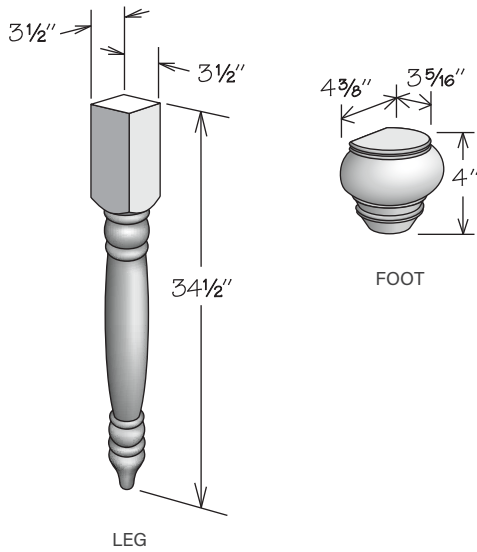
Base Tapered Leg and Foot



- All door styles feature solid wood finished to match cabinet box exterior
- Base Tapered Leg is tapered on all sides and is field trimmable
- Base Tapered Foot is tapered on two sides and is field trimmable to 4" high
- Recommend ordering Table Skirting Furniture Bracket (TSFB) separately for decorative leg installation

LEG	FOOT
BTPL	TPF

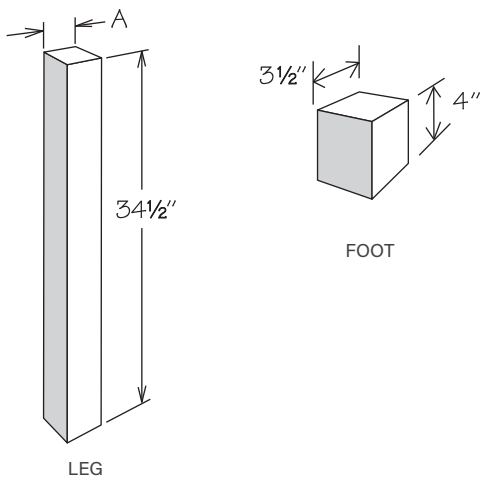
Base Turned Leg and Feet



- All door styles feature solid wood finished to match cabinet box exterior - glazed finishes will be glazed
- Base Turned Leg is field trimmable to 28 1/2" high
- Recommend ordering Table Skirting Furniture Bracket (TSFB) separately for decorative leg installation

LEG	FOOT
BTL	ATF

Base Square Leg and Foot NEW! SIZE



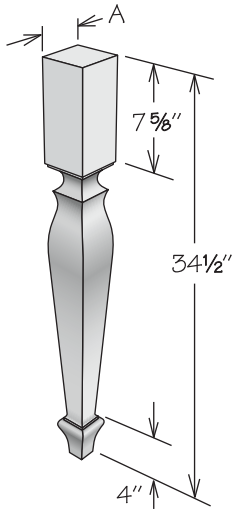
- All door styles feature solid wood finished to match cabinet box exterior
- Base Square Leg is field trimmable
- Recommend ordering Table Skirting Furniture Bracket (TSFB) separately for decorative leg installation

DECORATIVE LEG	A	FOOT
BSQL	3 1/2"	BSQF
BSQL5	4 1/2"	-

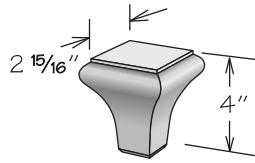
Chantilly Legs and Foot

NEW!

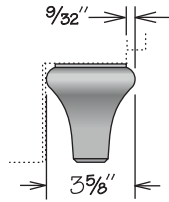
SIZE



DECORATIVE LEG



FOOT



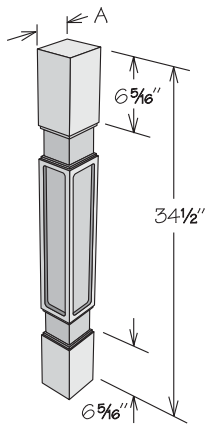
- All door styles feature solid wood finished to match cabinet box exterior - glazed finishes will be glazed
- Legs are field trimmable
- Recommend ordering Table Skirting Furniture Bracket (TSFB) separately for decorative leg installation

DECORATIVE LEGS	A	FOOT
CDL	3 1/2"	CDF
CDL5	4 1/2"	

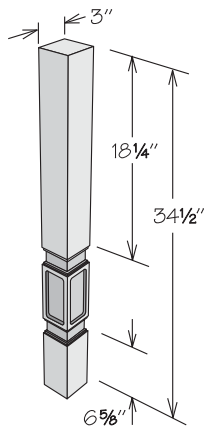
Parker Legs and Foot

NEW!

SIZE



DECORATIVE LEG

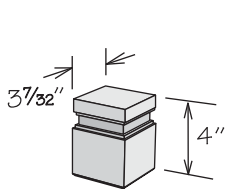


FURNITURE LEG

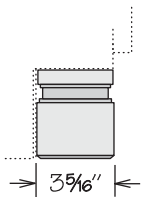
- All door styles feature solid wood finished to match cabinet box exterior - glazed finishes will be glazed
- Legs are field trimmable
- Recommend ordering Table Skirting Furniture Bracket (TSFB) separately for decorative leg installation

DECORATIVE LEG	A	FURNITURE LEG
PDL	3 1/2"	PFL
PDL5	4 1/2"	

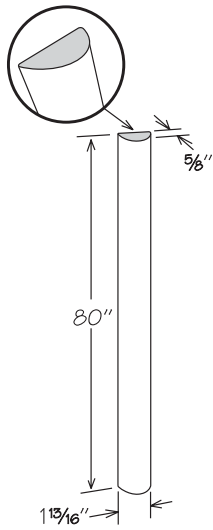
FOOT
PDF



FOOT



Split Post

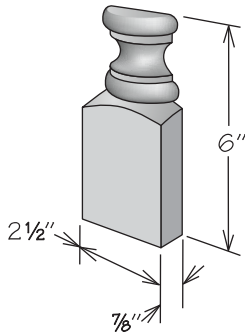


- All door styles feature solid wood finished to match cabinet box exterior
- Field trimmable
- Use with Traditional Split Block to create design element
- Must be mounted to a Universal Filler (order separately)

SPLIT POST

SPLT POST80 P

Traditional Split Block

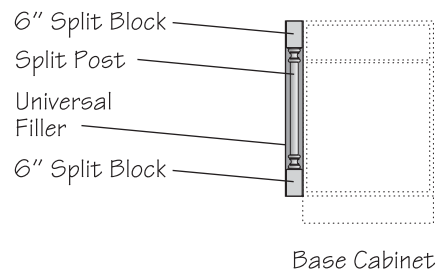
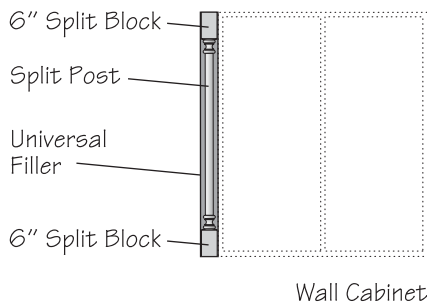


- All door styles feature solid wood finished to match cabinet box exterior
- For floor or wall application
- Use with Split Post to create design element
- Must be mounted to a Universal Filler (order separately)

SPLIT BLOCK

SPLT BLOCK26 T

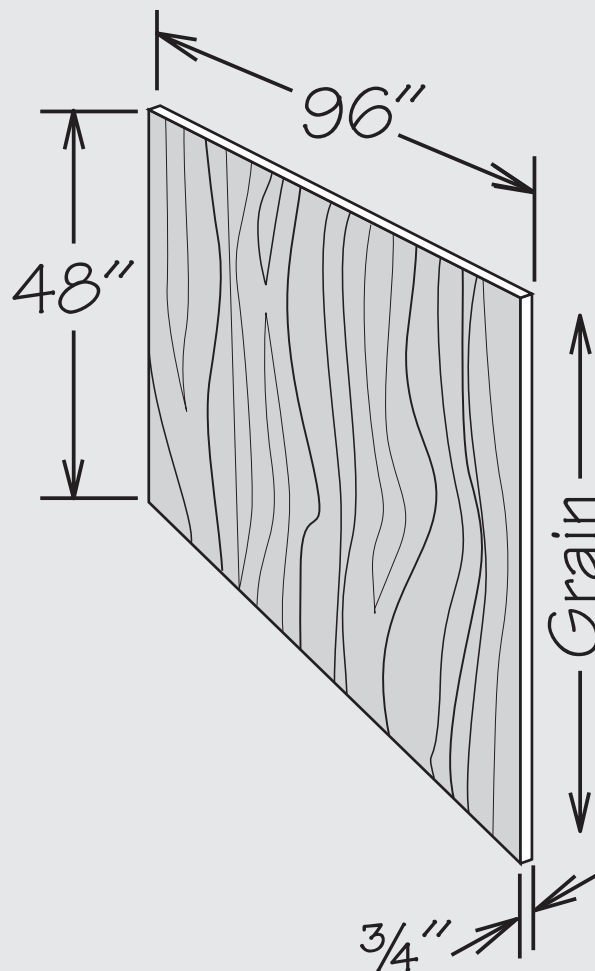
SUGGESTED DESIGN APPLICATIONS



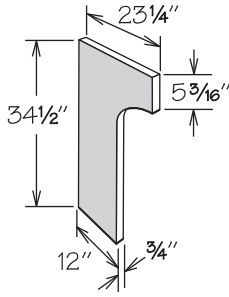
Notes

Notes

PANELS, FILLERS & INSTALLATION ITEMS



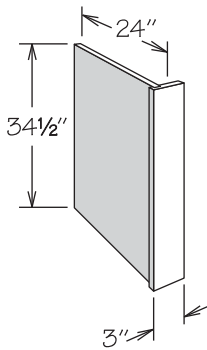
Desk End Panel



- All door styles feature 3/4" veneered engineered wood finished to match cabinet box exterior on both sides
- Recommend QM8 be ordered for installation to ensure proper attachment to wall
- Field trimmable
- Edge banded on front

DEP

Dishwasher Return

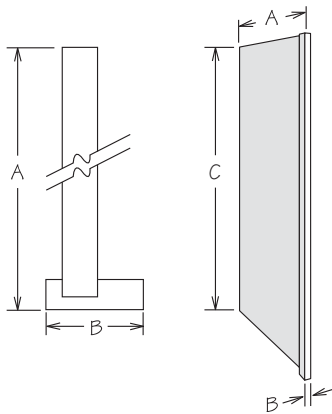


- Reversible for left or right installation
- Solid wood front
- All door styles feature 1/2" engineered wood with outside finished to match cabinet exterior and inside with a natural woodgrain look
- Wall attachment block included
- Field trimmable to 1" in width
- Can be notched for toe kick in the field

DWR3

Refrigerator Return • 1/2" Panel

MI
RD ■

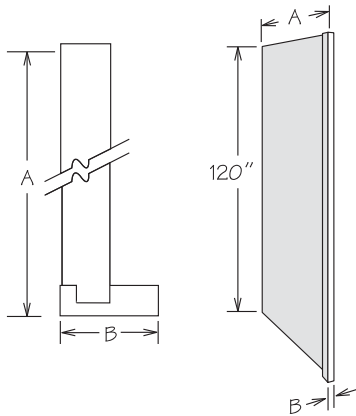


- Reversible for left or right installation
- Solid wood front
- 24" Deep Refrigerator Returns feature 1/2" engineered wood with outside finished to match cabinet exterior and inside with a natural woodgrain look
- 32" Deep Refrigerator Returns feature 1/2" plywood finished on outside to match cabinet exterior and interiors with a natural woodgrain look
- Front filler can be trimmed to a minimum of 1" wide
- Field trimmable in height, can be notched for toe kick

	A	B	C
RR84 ◆	24"	1 5/8"	84"
RR384 ◆	24"	3"	84"
RR96 ◆	24"	1 5/8"	96"
RR396 ◆	24"	3"	96"
RR84 X 32DP ■	32"	1 5/8"	84"
RR384 X 32DP ■	32"	3"	84"
RR96 X 32DP ■	32"	1 5/8"	96"
RR396 X 32DP ■	32"	3"	96"

Refrigerator Return • 3/4" Panel

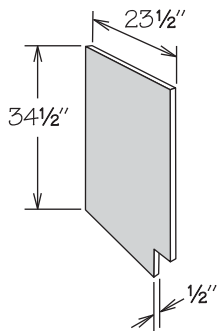
RD ■



- Reversible for left or right installation
- Solid wood front
- 24" Deep Refrigerator Returns feature 3/4" engineered wood finished on both sides to match cabinet box exterior
- 32" Deep Refrigerator Returns feature 3/4" plywood finished on both sides to match cabinet box exterior
- Front filler can be trimmed to a minimum of 1" wide
- Field trimmable in height, can be notched for toe kick

	A	B
RR120FL ◆	24"	1 5/8"
RR3120FL ◆	24"	3"
RR120FL X 32DP ■	32"	1 5/8"
RR3120FL X 32DP ■	32"	3"

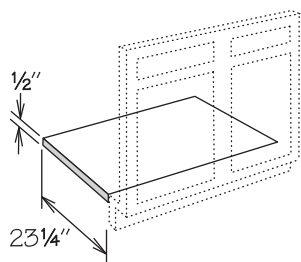
Sink/Vanity Front Return



- All door styles feature 1/2" engineered wood with outside to match cabinet exterior and inside with a natural woodgrain look
- Specify left or right
- Wall attachment block included
- Field trimmable

SFRR
SFRL

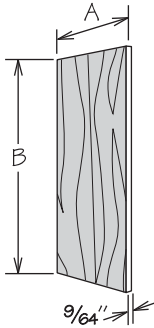
Sink/Vanity Front Floor



- All door styles feature 1/2" engineered wood with one side finished with a natural woodgrain look
- 1/2" oversize in width
- FL36X36 to be used for CSF36 (field trim to fit)
- FL48X48 to be used for CSF42 (field trim to fit)
- Field trimmable

FL24
FL36
FL36X36
FL48
FL48X48
FL60
FL72

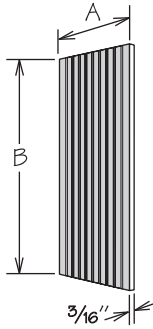
Paneling



- Wood door styles feature plywood, with vertical grain, finished on one side to match cabinet box exterior
- Field trimmable, can be notched for toe kick

WOOD	A	B
WEP30	11 1/4"	30 1/2"
WEP42	11 1/4"	42 1/8"
WEP48	11 1/4"	48"
WEP1542	14 1/4"	42 1/8"
BEP34	23 1/4"	34 1/2"
TEP84	23 1/4"	84"
TEP96	23 1/4"	96"
TEP120	23 1/4"	120"
FP4834	48"	34 1/2"
FP4896	48"	96"
FP9634	96"	34 1/2"
FP9648	96"	48"

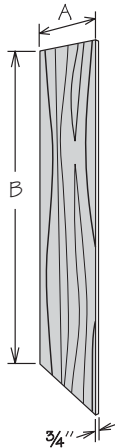
Grooved Paneling



- Grooved every 1 1/2" on one side
- All door styles feature 3/16" plywood finished on one side to match cabinet box exterior
- Field trimmable, can be notched for toe kick
- FP9634 Grooved Paneling is shipped as two 48" wide x 34 1/2" high panels

	A	B
WEP30 GROOVED	11 1/4"	30 1/2"
WEP42 GROOVED	11 1/4"	42 1/8"
WEP48 GROOVED	11 1/4"	48"
WEP1542 GROOVED	14 1/4"	42 1/8"
BEP34 GROOVED	23 1/4"	34 1/2"
TEP84 GROOVED	23 1/4"	84"
TEP96 GROOVED	23 1/4"	96"
FP4834 GROOVED	48"	34 1/2"
FP4896 GROOVED	48"	96"
FP9634 GROOVED	96"	34 1/2"

Wood End Panel

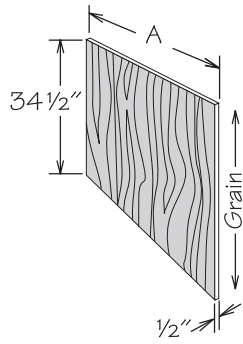


- Wood panels feature engineered wood finished on both sides to match cabinet box exterior for all door styles
- Edge banded on both long edges
- Field trimmable, can be notched for toe kick

WOOD	A	B
WBEP	24"	34 1/2"
WTEP84	24"	84"
WTEP96	24"	96"
WTEP120	24"	120"
DWTEP84	32"	84"
DWTEP96	32"	96"

1/2" Panel

NEW! PRODUCT



- Wood panels feature plywood finished on one side to match cabinet box exterior for all door styles
- Recommend Outside Corner Molding (OCM8) to cover raw edges
- WFP9634 is shipped as two 48" wide x 34 1/2" high panels
- Field trimmable, can be notched for toe kick

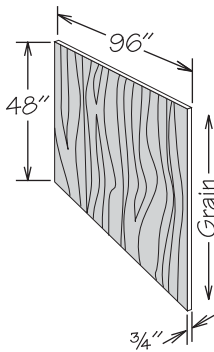
WOOD

WFP4834
WFP9634

A

48"
96"

3/4" Panel



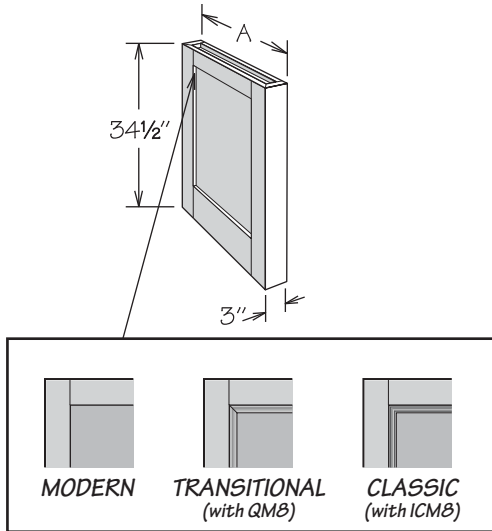
- Wood panels feature plywood finished on both sides to match cabinet box exterior for all door styles
- Edge banded on all edges
- Field trimmable, can be notched for toe kick

WOOD

WP9648

Decorative Island Side

NEW! PRODUCT

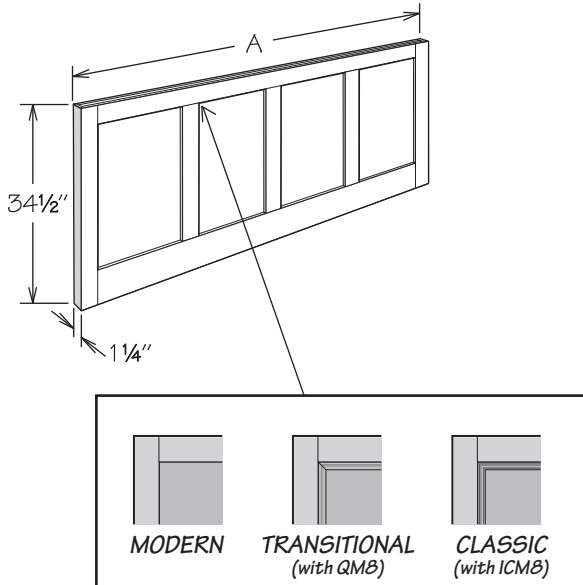


- All door styles features a combination of plywood and solid wood finished to match cabinet exterior
- Transitional Decorative Island Side (DIS_T) are shipped with QM8 molding - field trim and install around inside of panel sections
- Classic Decorative Island Side (DIS_C) are shipped with ICM8 molding - field trim and install around inside of panel sections

	QTY. OF PANEL SECTIONS	A	B	INSIDE MOLDING QTY.
Modern				
DIS2534 M	1	25 1/4"	19 1/2"	-
DIS3734 M	2	37 1/4"	14 1/8"	-
DIS4934 M	2	49 1/4"	19 1/2"	-
Transitional				
DIS2534 T	1	25 1/4"	19 1/2"	1
DIS3734 T	2	37 1/4"	14 1/8"	2
DIS4934 T	2	49 1/4"	19 1/2"	3
Classic				
DIS2534 C	1	25 1/4"	19 1/2"	1
DIS3734 C	2	37 1/4"	14 1/8"	2
DIS4934 C	2	49 1/4"	19 1/2"	3

Decorative Island Panel Kit

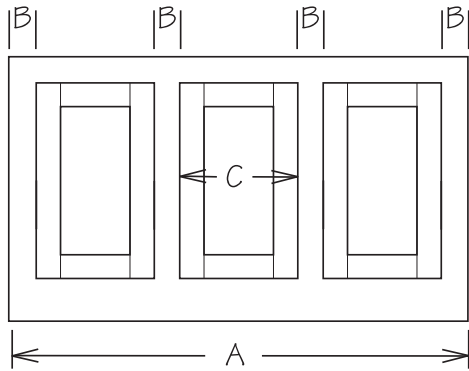
NEW! PRODUCT



- Kit must be trimmed and assembled in field - items shipped separately
- Plywood panel is finished on one side to match box exterior
 - » Recommended for use with Decorative Island Side Panel, or additional molding is recommended to cover raw edge of panel
- Modern Decorative Island Panel Kits include:
 - » 6" Solid Stock (S3S696)
 - » 3" Solid Stock (S3S369)
 - » 1/2" Panel (48" Kit: WFP4834, 96" Kit: WFP9634)
- Transitional Decorative Island Panel Kits Include:
 - » 6" Solid Stock (S3S696)
 - » 3" Solid Stock (S3S369)
 - » Inside Corner Molding (QM8)
 - » 1/2" Panel (48" Kit: WFP4834, 96" Kit: WFP9634)
- Classic Decorative Island Panel Kits Include:
 - » 6" Solid Stock (S3S696)
 - » 3" Solid Stock (S3S369)
 - » Decorative Inside Corner Molding (ICM8)
 - » 1/2" Panel (48" Kit: WFP4834, 96" Kit: WFP9634)

	MAX. PANEL A	SECTIONS	S3S696 QTY.	S3S396 QTY.	WFP4834 QTY.	INSIDE MOLDING QTY.
Modern						
DIPK4834 M	48"	2	1	2	1	-
DIPK9634 M	96"	4	1	3	2	-
Transitional						
DIPK4834 T	48"	2	1	2	1	2
DIPK9634 T	96"	4	1	3	2	4
Classic						
DIPK4834 C	48"	2	1	2	1	2
DIPK9634 C	96"	4	1	3	2	4

Decorative Door Wainscoting Ordering Guide



NOTES:

- 1/2" Panels (WFP_) are finished on one side to match cabinet box exterior - molding recommended to cover raw edges
- Dimension "B" is calculated based on even spacing on both ends and between panels - adjust as needed for outside corner molding.

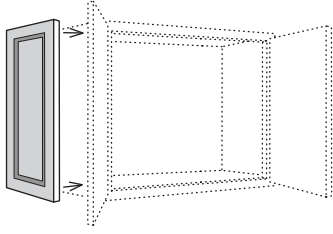
Full Overlay Door Styles

A WIDTH	B SPACE BETWEEN DOORS	C DOOR WIDTH	PANEL	DOORS (NO DRILL)
30"	3/16"	14 23/32"	WFP4834	(2) DR15FH BUTT
36"	3/16"	17 23/32"	WFP4834	(2) DR18FH BUTT
42"	9/32"	20 9/16"	WFP4834	(2) DR21FH
48"	5/8"	15 5/32"	WFP4834	(3) DR16FH BUTT
60"	7/32"	14 23/32"	WFP9634	(4) DR15FH BUTT
72"	7/32"	17 23/32"	WFP9634	(4) DR18FH BUTT
84"	1 1/32"	20 9/16"	WFP9634	(4) DR21FH
96"	1 1/32"	23 9/16"	WFP9634	(4) DR24FH

Partial Overlay Door Styles

A WIDTH	B SPACE BETWEEN DOORS	C DOOR WIDTH	PANEL	DOORS (NO DRILL)
30"	1 1/16"	13 15/16"	WFP4834	(2) DR1530 BUTT
36"	1 1/16"	16 15/16"	WFP4834	(2) DR1830 BUTT
42"	1 13/32"	18 7/8"	WFP4834	(2) DR2130
48"	1 3/32"	15 7/16"	WFP4834	(3) DR1630 BUTT
60"	2 7/32"	13 15/16"	WFP9634	(4) DR1530 BUTT
72"	2 7/32"	16 15/16"	WFP9634	(4) DR1830 BUTT
84"	1 1 1/16"	18 7/8"	WFP9634	(4) DR2130
96"	1 1 1/16"	21 7/8"	WFP9634	(4) DR2430

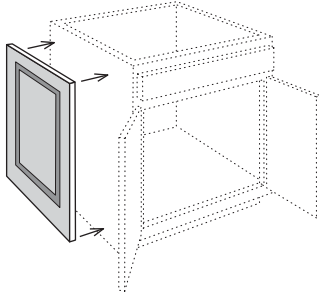
Decorator Matching Doors • Wall Cabinets



- WEP30/WEP42 panel is recommended for installation
- Attaches to side of wall cabinet
- Matches style and finish of cabinet doors
- Panel thickness is 3/4"
- Refer to Parts Directory for dimensions
- Not drilled for hinges

DMDW18
DMDW24
DMDW30
DMDW36
DMDW39
DMDW42

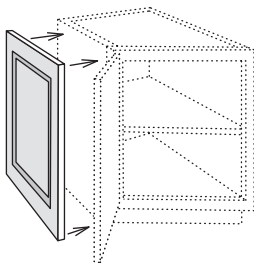
Decorator Matching Doors • Base Cabinets



- BEP34 panel is recommended for installation
- Attaches to side of 24" deep base cabinet
- Matches style and finish of cabinet doors
- Panel thickness is 3/4"
- Refer to Parts Directory for dimensions
- Not drilled for hinges

DMDB

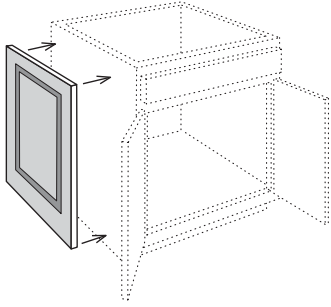
Decorator Matching Doors • Base End Angle Cabinets



- WEP42 panel is recommended for installation
- Attaches to side of BEA12 or BS2434
- Matches style and finish of cabinet doors
- Panel thickness is 3/4"
- Refer to Parts Directory for dimensions
- Not drilled for hinges

DMDBEA12

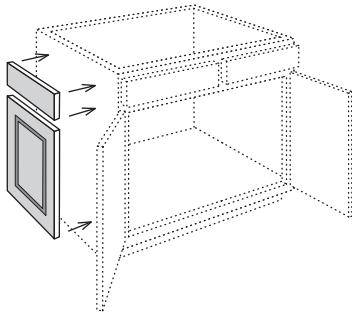
Decorator Matching Doors • Desk Cabinets



- BEP34 panel is recommended for installation
- Attaches to side of 21" or 24" deep desk cabinet
- Matches style and finish of cabinet doors
- Panel thickness is 3/4"
- Refer to Parts Directory for dimensions
- Not drilled for hinges

DMDD21
DMDD24

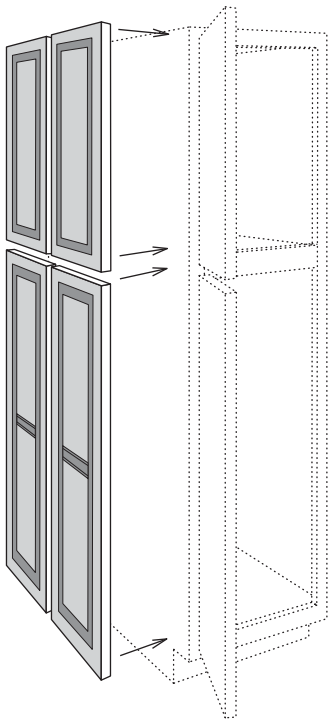
Decorator Matching Doors • Vanity Cabinet



- BEP34 panel is recommended for installation
- Attaches to side of 20 3/4" deep x 31 1/8" high vanity cabinet
 - » For 18" deep x 31 1/8" high vanity cabinets order DR1821 ND and DDF18
 - » For 20 3/4" deep x 34 1/2" high vanity cabinets order DR2130 (POL)
 - » For 18" deep x 34 1/2" high vanity cabinets order DR1830 (POL)
- Matches style and finish of cabinet doors
- Panel thickness is 3/4"
- Refer to Parts Directory for dimensions
- Not drilled for hinges

DMDV

Decorator Matching Doors • Tall Cabinets



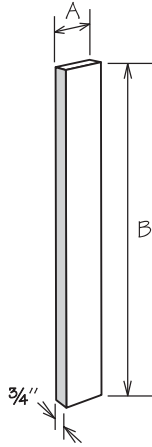
24" Deep Shown

- TEP84/TEP96 panel is recommended for installation
- Attaches to side of utility or oven cabinet
- Matches style and finish of cabinet doors
- Panel thickness is 3/4"
- 24" deep features four doors (as shown)
- 12" deep features two doors
- Bottom doors have a center rail for select door styles - refer to door style section
- Refer to Parts Directory for dimensions
- Not drilled for hinges

12" DEEP
DMDT8412
DMDT9012
DMDT9612

24" DEEP
DMDT8424
DMDT9024
DMDT9624

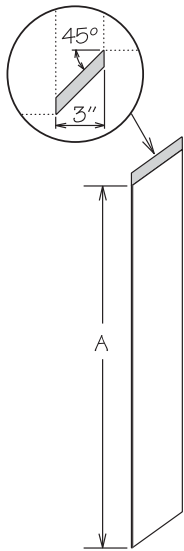
Universal Filler



- Wood fillers:
 - » 3/4" solid wood
 - » UF1__ and UF2__ are finished on front, one long, and both short edges to match cabinet box exterior
 - » UF3__, UF6__, and S3S__ are finished on front and all four edges to match cabinet box exterior
 - » S4S__ are finished on front, back, and all four edges to match cabinet box exterior
- Field trimmable

WOOD	A	B
UF1	1"	30 1/2"
UF2	2"	30 1/2"
UF3	3"	30 1/2"
UF6	6"	30 1/2"
UF142	1"	42 1/8"
UF242	2"	42 1/8"
UF342	3"	42 1/8"
UF642	6"	42 1/8"
UF380	3"	80"
UF680	6"	80"
UF392	3"	92"
UF692	6"	92"
S3S396	3"	96"
S3S696	6"	96"
S4S396	3"	96"
S4S696	6"	96"
UF3120	3"	120"

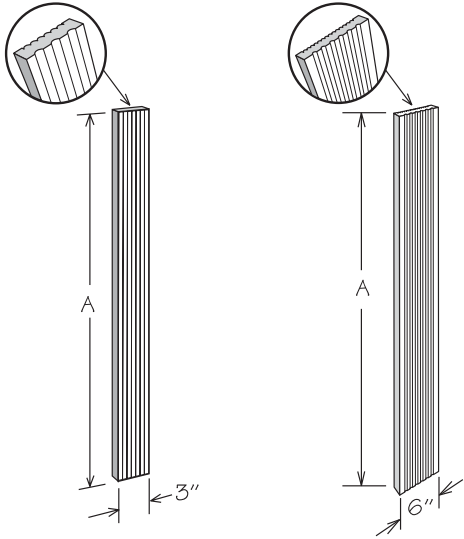
Universal Filler Extension



- 3/4" solid wood
- Finished on front and all four edges to match cabinet box exterior
- Field trimmable

	A
UF E3	30 1/2"
UF E342	42 1/8"

Fluted Beaded Filler • Reversible



- Filler is fluted on one side and beaded on reverse side
- Finished on all sides to match cabinet box exterior
- ¾" solid wood
- Apply decorative blocks for accent
- Field trimmable
- Ensure correct side is exposed when installed

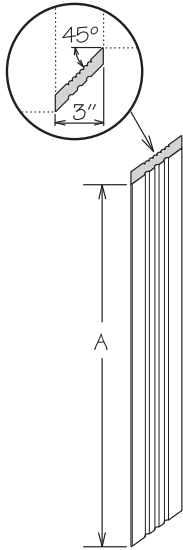
3" WIDE

	A
FBF3	30 ½"
FBF342	42 ⅛"
FBF384	84"
FBF396	96"

6" WIDE

FBF6	30 ½"
FBF642	42 ⅛"
FBF684	84"
FBF696	96"

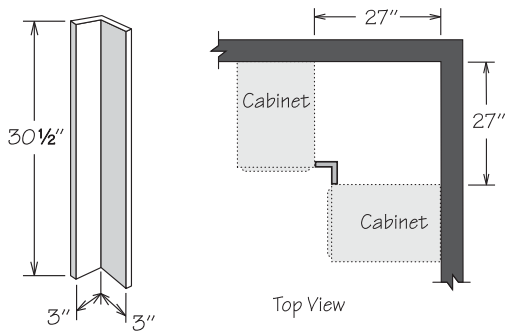
Fluted Beaded Filler Extension • Reversible



- For wall or base application
- Filler is fluted on one side and beaded on reverse side
- Finished all sides to match cabinet box exterior
- ¾" solid wood
- Apply 3" wide decorative blocks for accent
- Field trimmable
- Ensure correct side is exposed when installed

	A
FBF E3	30 ½"
FBF E342	42 ⅛"

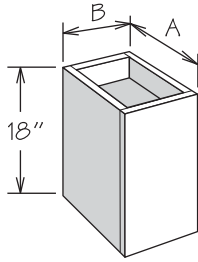
Base Corner Filler



- ¾" solid wood
- Finished on front and all four edges to match cabinet box exterior
- Field trimmable

BCF27

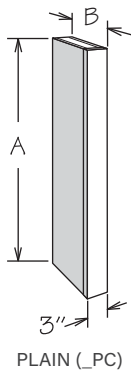
Plain Box Filler



- Veneered engineered wood finished to match cabinet box exterior
- Features 1/4" reveal
- Trimmable in height to 14 1/8" tall
- Reversible for left or right installation
- Finished to match cabinet box exterior

	A	B
WPB91815	15"	9"
WPB121815	15"	12"
WPB91824	24"	9"
WPB121824	24"	12"

Column Filler

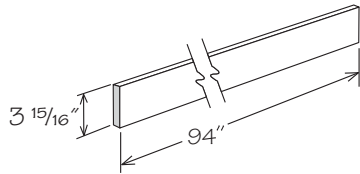


PLAIN (_PC)

- Veneered engineered wood finished to match cabinet box exterior - glazed finishes will be glazed, excluding Plain Column Fillers
- 3" wide x 3/4" thick solid wood front
- Sides are flush with face
- Reversible for left or right installation
- Top and bottom edges of returns are edge banded
- Apply overlay filler or 3" wide decorative blocks for accent
- Field trimmable to any depth
- Field trimmable in height noted below:
 - » WPC31530 field trimmable to 27 1/8", 24 1/2", 20 5/8", 18 1/8", 15 1/8", or 12 1/8"
 - » WPC31542 field trimmable to 39 1/8" or 36 1/8"
 - » WPC31560 field trimmable to 54" or 48"
 - » BPC32734 field trimmable to 31 1/8" or 28 1/2"
 - » TPC32796 field trimmable to 93" or 90"
 - » TPC32784 not trimmable in height

PLAIN	A	B
Wall		
WPC31530	30 1/8"	15"
WPC31542	42 1/8"	15"
WPC31560	60"	15"
Base		
BPC32734	34 1/2"	27"
Tall		
TPC32784	84"	27"
TPC32796	96"	27"

Base Toe Kick

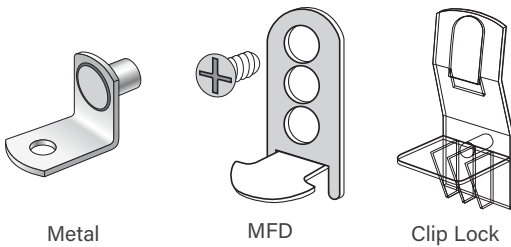


- Wood door styles feature 3/4" plywood, with vertical grain, finished on one side to match cabinet box exterior
- Putty Stick and Touch Up Marker are recommended for exposed ends
- Field trimmable

WOOD

BTK81

Shelf Rests



Metal

MFD

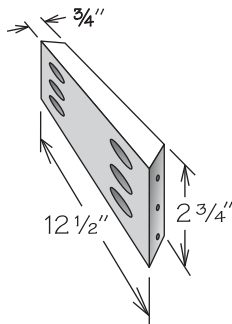
Clip Lock

- Metal and MFD shelf rests are nickel plated steel
- MFD shelf rests are six position adjustable for alignment of shelf with mullion
- Clip Lock shelf rests are molded clear high-strength polycarbonate

	QTY.
Bookshelves & Wall Shelves	
SHELF REST METAL 4PK	4
SHELF REST METAL 12	12
Mullion Frame Cabinet Shelves	
SHELF REST MFD PK	8
1/2" Base Shelves	
CLIP LOCK SHELF 4 PK	4
3/4" Base & Tall Shelves	
CLIP LOCK SHELF 3/4 4 PK	4

Table Skirting Furniture Bracket

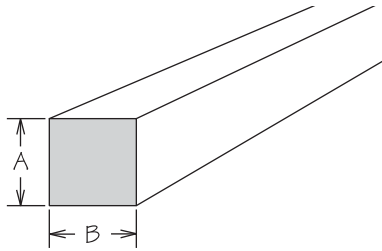
NEW! PRODUCT



- Bracket used to attach table apron at corners
- Made of solid wood
- Accommodates 3" and 4 1/2" decorative legs
- Ships with screws

TSFB

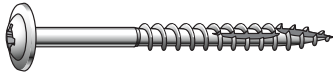
Cleat



- HWC 3/4X3/4X94 is shipped in two 47" long pieces
- HWC 1/2X1/2X94 is shipped in three 30½" long pieces
- Unfinished

	A	B	LENGTH
HWC 1/2X1/2X94	½"	½"	91½"
HWC 3/4X3/4X94	¾"	¾"	94"
HWC 1X2X94	¾"	1½"	94"
HWC 2X4X96	1½"	3½"	96"

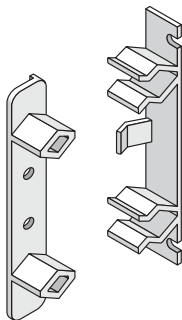
Screws & Cover Caps



- Installation screws are Phillips panhead 2½" long
- Cover caps are used to conceal predrilled holes in cabinet backs

	QTY.
SCREW INST 2.5 BX100	100
COVER CAP 10MM TAN 4	4

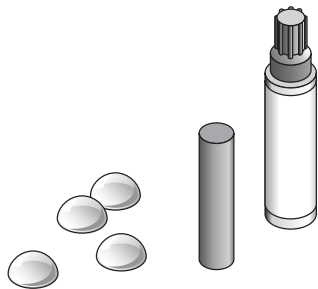
Dummy Drawer Front Fastener



- For installation of one dummy drawer front
- Kit contents:
 - » Two sets of DDF Fasteners
 - » Eight screws
 - » One instruction sheet
- Please refer to cabinet specifications as some cabinets will require more than one kit

DDF FASTENER

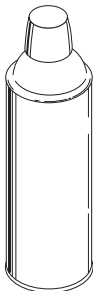
Touch Up Kit



- Kit for repairing minor dents, gouges, scratches, and surface imperfections includes:
 - » Putty Stick
 - » Touch Up Marker
 - » Door bumpers
- Instructions printed on bag

TOUCHUP KIT

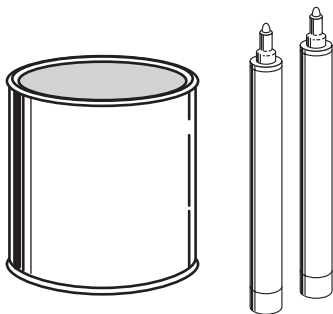
Spray Stain



- SPRAY STAIN TINTED available for all finishes
- SPRAY STAIN CLEAR strongly recommended for use as top coat for all finishes
- Indicate species and finish when ordering
- 11 ounce aerosol spray can

SPRAY STAIN CLEAR
SPRAY STAIN TINTED

Stain

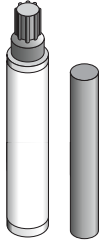


- Indicate species and finish when ordering
- STAIN TOP COAT strongly recommended for application over ALL finishes (order separately)
- PINT covers approximately 40 square feet
- QUART covers approximately 80 square feet
- Instructions included

STAIN PINT
STAIN QUART
STAIN TOP COAT PINT
STAIN TOP COAT QUART

Putty Stick & Marker

NEW! NOMENCLATURE



- Indicate finish when ordering
- TU MARKER EXTERIOR for use on all stains and Premium finishes
- Putty Sticks are recommended for filling minor dents, gouges and scratches made during or after installation
- Touch-Up Markers add color to minor surface scratches

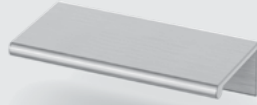
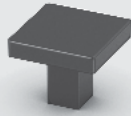
PUTTY STICK

PUTTY STICK EXTERIOR
 PUTTY STICK INTERIOR

TOUCH-UP MARKER

TU MARKER EXTERIOR
 TU MARKER EXT GLAZE
 TU MARKER DURAFORM
 TU MARKER INTERIOR

DECORATIVE HARDWARE



DRILLING RESTRICTIONS AND NOTES

- 1951 Cabinetry does not recommend drilling through any door/drawer joint for installation of decorative hardware.
- Door and drawer fronts must be adjusted before installing decorative hardware.

RESTRICTION KEY

NR12 Not recommended on regular 12" drawers

Some decorative hardware has restrictions for use on certain door styles which will be indicated with restriction-specific icons followed by the door style(s) that have the restriction. Restrictions may differ on regular and large drawer fronts based on center panel dimensions for each door style.

HARDWARE RESTRICTION EXAMPLE

NR12 Any Door Style

EXPLANATION: This specific hardware is not recommended on standard or large 12" drawers for any door style

Antic



**Antic Pull
Polished Chrome**
PULL 6797PC
128mm Center
Overall Length: 5 13/16"



**Antic Pull
Satin Nickel**
PULL 6797SN
128mm Center
Overall Length: 5 13/16"



**Antic Pull
Vintage Nickel**
PULL 6797VN
128mm Center
Overall Length: 5 13/16"



**Antic Pull
Modern Brushed Gold**
PULL 6797MG
128mm Center
Overall Length: 5 13/16"



**Antic Pull
Matte Black**
PULL 6797MB
128mm Center
Overall Length: 5 13/16"



**Antic Knob
Polished Chrome**
KNOB 6798PC



**Antic Knob
Satin Nickel**
KNOB 6798SN



**Antic Knob
Vintage Nickel**
KNOB 6798VN



**Antic Knob
Modern Brushed Gold**
KNOB 6798MG



**Antic Knob
Matte Black**
KNOB 6798MB

Briolette



**Briolette Pull
Polished Chrome**
PULL 2272PC
128mm Center
Overall Length: 5 3/4"



**Briolette Pull
Satin Nickel**
PULL 2272SN
128mm Center
Overall Length: 5 3/4"



**Briolette Pull
Modern Brushed Gold**
PULL 2272MG
128mm Center
Overall Length: 5 3/4"



**Briolette Pull
Brushed Copper**
PULL 2272CP
128mm Center
Overall Length: 5 3/4"



**Briolette Pull
Matte Black**
PULL 2272MB
128mm Center
Overall Length: 5 3/4"



**Briolette Knob
Polished Chrome**
KNOB 2271PC



**Briolette Knob
Satin Nickel**
KNOB 2271SN



**Briolette Knob
Modern Brushed Gold**
KNOB 2271MG



**Briolette Knob
Brushed Copper**
KNOB 2271CP



**Briolette Knob
Matte Black**
KNOB 2271MB

Radiant



**Radiant Pull
Satin Nickel**
PULL 0318SN
128mm Center
Overall Length: 5 3/4"



**Radiant Pull
Weathered Nickel**
PULL 0318WN
128mm Center
Overall Length: 5 3/4"



**Radiant Pull
Modern Brushed Gold**
PULL 0318MG
128mm Center
Overall Length: 5 3/4"



**Radiant Pull
Verona Bronze**
PULL 0318VB
128mm Center
Overall Length: 5 3/4"



**Radiant Pull
Matte Black**
PULL 0318MB
128mm Center
Overall Length: 5 3/4"



**Radiant Knob
Satin Nickel**
KNOB 0319SN



**Radiant Knob
Weathered Nickel**
KNOB 0319WN



**Radiant Knob
Modern Brushed Gold**
KNOB 0319MG



**Radiant Knob
Verona Bronze**
KNOB 0319VB



**Radiant Knob
Matte Black**
KNOB 0319MB

Trillion



**Trillion Pull
Polished Chrome**
PULL 0875PC
128mm Center
Overall Length: 5 1/2"



**Trillion Pull
Satin Nickel**
PULL 0875SN
128mm Center
Overall Length: 5 1/2"



**Trillion Pull
Vintage Nickel**
PULL 0875VN
128mm Center
Overall Length: 5 1/2"



**Trillion Pull
Modern Brushed Gold**
PULL 0875MG
128mm Center
Overall Length: 5 1/2"



**Trillion Pull
Matte Black**
PULL 0875MB
128mm Center
Overall Length: 5 1/2"

Canyon DFO

Bandera DFO, Canyon DFO, Carson DFO



**Trillion Knob
Polished Chrome**
KNOB 0876PC



**Trillion Knob
Satin Nickel**
KNOB 0876SN



**Trillion Knob
Vintage Nickel**
KNOB 0876VN



**Trillion Knob
Modern Brushed Gold**
KNOB 0876MG



**Trillion Knob
Matte Black**
KNOB 0876MB

Marquise



Marquise Pull - 6 ⁷/₈"
Polished Chrome
 PULL 4213PC
 160mm Center
 Overall Length: 6 ⁷/₈"



Marquise Pull - 6 ⁷/₈"
Satin Nickel
 PULL 4213SN
 160mm Center
 Overall Length: 6 ⁷/₈"



Marquise Pull - 6 ⁷/₈"
Modern Brushed Gold
 PULL 4213MG
 160mm Center
 Overall Length: 6 ⁷/₈"



Marquise Pull - 6 ⁷/₈"
Brushed Copper
 PULL 4213CP
 160mm Center
 Overall Length: 6 ⁷/₈"



Marquise Pull - 6 ⁷/₈"
Matte Black
 PULL 4213MB
 160mm Center
 Overall Length: 6 ⁷/₈"



Marquise Pull - 5 ⁹/₁₆"
Polished Chrome
 PULL 4212PC
 128mm Center
 Overall Length: 5 ⁹/₁₆"



Marquise Pull - 5 ⁹/₁₆"
Satin Nickel
 PULL 4212SN
 128mm Center
 Overall Length: 5 ⁹/₁₆"



Marquise Pull - 5 ⁹/₁₆"
Modern Brushed Gold
 PULL 4212MG
 128mm Center
 Overall Length: 5 ⁹/₁₆"



Marquise Pull - 5 ⁹/₁₆"
Brushed Copper
 PULL 4212CP
 128mm Center
 Overall Length: 5 ⁹/₁₆"



Marquise Pull - 5 ⁹/₁₆"
Matte Black
 PULL 4212MB
 128mm Center
 Overall Length: 5 ⁹/₁₆"

Halo



Halo Knob
Polished Chrome
 KNOB 3106PC



Halo Knob
Satin Nickel
 KNOB 3106SN



Halo Knob
Modern Brushed Gold
 KNOB 3106MG

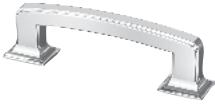


Halo Knob
Brushed Copper
 KNOB 3106CP



Halo Knob
Matte Black
 KNOB 3106MB

Rectangular



**Rectangular Pull
Polished Chrome**
PULL 3502PC
96mm Center
Overall Length: 4¹³/₁₆"



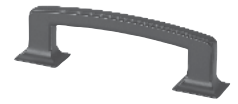
**Rectangular Pull
Satin Nickel**
PULL 3502SN
96mm Center
Overall Length: 4¹³/₁₆"



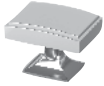
**Rectangular Pull
Vintage Nickel**
PULL 3502VN
96mm Center
Overall Length: 4¹³/₁₆"



**Rectangular Pull
Modern Brushed Gold**
PULL 3502MG
96mm Center
Overall Length: 4¹³/₁₆"



**Rectangular Pull
Matte Black**
PULL 3502MB
96mm Center
Overall Length: 4¹³/₁₆"



**Rectangular Knob
Polished Chrome**
KNOB 3503PC



**Rectangular Knob
Satin Nickel**
KNOB 3503SN



**Rectangular Knob
Vintage Nickel**
KNOB 3503VN



**Rectangular Knob
Modern Brushed Gold**
KNOB 3503MG



**Rectangular Knob
Matte Black**
KNOB 3503MB

Beaded



**Beaded Pull
Satin Nickel**
PULL 3562SN
96mm Center
Overall Length: 4¹/₂"



**Beaded Pull
Weathered Nickel**
PULL 3562WN
96mm Center
Overall Length: 4¹/₂"



**Beaded Pull
Modern Brushed Gold**
PULL 3562MG
96mm Center
Overall Length: 4¹/₂"



**Beaded Pull
Verona Bronze**
PULL 3562VB
96mm Center
Overall Length: 4¹/₂"



**Beaded Pull
Matte Black**
PULL 3562MB
96mm Center
Overall Length: 4¹/₂"

Stamped



**Stamped Knob
Satin Nickel**
KNOB 3563SN



**Stamped Knob
Weathered Nickel**
KNOB 3563WN



**Stamped Knob
Modern Brushed Gold**
KNOB 3563MG



**Stamped Knob
Verona Bronze**
KNOB 3563VB



**Stamped Knob
Matte Black**
KNOB 3563MB

Bow



Bow Pull - 7 13/16"
Polished Chrome
 PULL 3129PC
 5" Center
 Overall Length: 7 13/16"

Bow Pull - 7 13/16"
Satin Nickel
 PULL 3129SN
 5" Center
 Overall Length: 7 13/16"

Bow Pull - 7 13/16"
Modern Brushed Gold
 PULL 3129MG
 5" Center
 Overall Length: 7 13/16"

Bow Pull - 7 13/16"
Brushed Copper
 PULL 3129CP
 5" Center
 Overall Length: 7 13/16"

Bow Pull - 7 13/16"
Matte Black
 PULL 3129MB
 5" Center
 Overall Length: 7 13/16"



Bow Pull - 6 3/16"
Polished Chrome
 PULL 3128PC
 96mm Center
 Overall Length: 6 3/16"

Bow Pull - 6 3/16"
Satin Nickel
 PULL 3128SN
 96mm Center
 Overall Length: 6 3/16"

Bow Pull - 6 3/16"
Modern Brushed Gold
 PULL 3128MG
 96mm Center
 Overall Length: 6 3/16"

Bow Pull - 6 3/16"
Brushed Copper
 PULL 3128CP
 96mm Center
 Overall Length: 6 3/16"

Bow Pull - 6 3/16"
Matte Black
 PULL 3128MB
 96mm Center
 Overall Length: 6 3/16"

Tempo



Tempo Pull
Polished Chrome
 PULL 0323PC
 128mm Center
 Overall Length: 5 7/16"

Tempo Pull
Satin Nickel
 PULL 0323SN
 128mm Center
 Overall Length: 5 7/16"

Tempo Pull
Modern Brushed Gold
 PULL 0323MG
 128mm Center
 Overall Length: 5 7/16"

Tempo Pull
Brushed Copper
 PULL 0323CP
 128mm Center
 Overall Length: 5 7/16"

Tempo Pull
Matte Black
 PULL 0323MB
 128mm Center
 Overall Length: 5 7/16"



Tempo Knob
Polished Chrome
 KNOB 0322PC



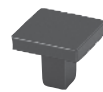
Tempo Knob
Satin Nickel
 KNOB 0322SN



Tempo Knob
Modern Brushed Gold
 KNOB 0322MG



Tempo Knob
Brushed Copper
 KNOB 0322CP



Tempo Knob
Matte Black
 KNOB 0322MB

Cup



**Cup Pull
Satin Nickel**
PULL 3105SN
3" Center
Overall Length: 4 5/8"



**Cup Pull
Weathered Nickel**
PULL 3105WN
3" Center
Overall Length: 4 5/8"



**Cup Pull
Modern Brushed Gold**
PULL 3105MG
3" Center
Overall Length: 4 5/8"



**Cup Pull
Verona Bronze**
PULL 3105VB
3" Center
Overall Length: 4 5/8"



**Cup Pull
Matte Black**
PULL 3105MB
3" Center
Overall Length: 4 5/8"

Classic



**Classic Pull
Satin Nickel**
PULL 3172SN
3" Center
Overall Length: 5 5/8"



**Classic Pull
Verona Bronze**
PULL 3172VB
3" Center
Overall Length: 5 5/8"



**Classic Pull
Matte Black**
PULL 3172MB
3" Center
Overall Length: 5 5/8"



**Classic Knob
Satin Nickel**
KNOB 3173SN



**Classic Knob
Weathered Nickel**
KNOB 3173WN



**Classic Knob
Modern Brushed Gold**
KNOB 3173MG



**Classic Knob
Verona Bronze**
KNOB 3173VB



**Classic Knob
Matte Black**
KNOB 3173MB

Toggle



**Toggle Knob
Satin Nickel**
KNOB 3239SN



**Toggle Knob
Verona Bronze**
KNOB 3239VB



**Toggle Knob
Matte Black**
KNOB 3239MB

Twisted Crescent



Twisted Crescent Pull
Satin Nickel
PULL 3122SN

96mm Center • Overall Length: 5 1/8"



Twisted Crescent Pull
Verona Bronze
PULL 3122VB

96mm Center • Overall Length: 5 1/8"



Twisted Crescent Pull
Matte Black
PULL 3122MB

96mm Center • Overall Length: 5 1/8"

Button



Button Knob
Satin Nickel
KNOB 3213SN



Button Knob
Verona Bronze
KNOB 3213VB



Button Knob
Matte Black
KNOB 3213MB

Ringed



Ringed Arch Pull
Satin Nickel
PULL 3672SN

3" Center • Overall Length: 5 1/2"



Ringed Arch Pull
Verona Bronze
PULL 3672VB

3" Center • Overall Length: 5 1/2"



Ringed Arch Pull
Matte Black
PULL 3672MB

3" Center • Overall Length: 5 1/2"



Ringed Knob
Satin Nickel
KNOB 3673SN

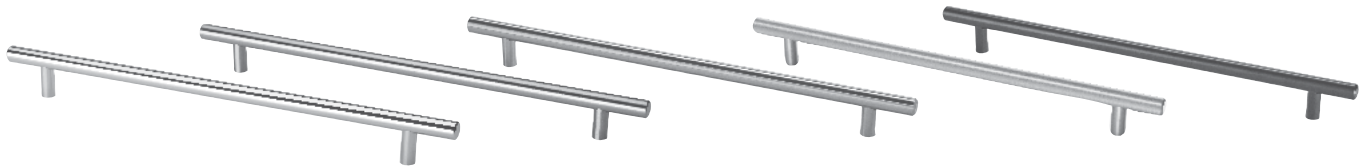


Ringed Knob
Verona Bronze
KNOB 3673VB



Ringed Knob
Matte Black
KNOB 3673MB

T-Bar



T-Bar Pull - 12⁷/₁₆"
Polished Chrome
 PULL 4730PC
 256mm Center
 Overall Length: 12⁷/₁₆"

T-Bar Pull - 12⁷/₁₆"
Satin Nickel
 PULL 4730SN
 256mm Center
 Overall Length: 12⁷/₁₆"

T-Bar Pull - 12⁷/₁₆"
Modern Brushed Gold
 PULL 4730MG
 256mm Center
 Overall Length: 12⁷/₁₆"

T-Bar Pull - 12⁷/₁₆"
Brushed Copper
 PULL 4730CP
 256mm Center
 Overall Length: 12⁷/₁₆"

T-Bar Pull - 12⁷/₁₆"
Matte Black
 PULL 4730MB
 256mm Center
 Overall Length: 12⁷/₁₆"

NR12 Any door style



T-Bar Pull - 8⁵/₈"
Polished Chrome
 PULL 4712PC
 160mm Center
 Overall Length: 8⁵/₈"

T-Bar Pull - 8⁵/₈"
Satin Nickel
 PULL 4712SN
 160mm Center
 Overall Length: 8⁵/₈"

T-Bar Pull - 8⁵/₈"
Modern Brushed Gold
 PULL 4712MG
 160mm Center
 Overall Length: 8⁵/₈"

T-Bar Pull - 8⁵/₈"
Brushed Copper
 PULL 4712CP
 160mm Center
 Overall Length: 8⁵/₈"

T-Bar Pull - 8⁵/₈"
Matte Black
 PULL 4712MB
 160mm Center
 Overall Length: 8⁵/₈"



T-Bar Pull - 5⁵/₁₆"
Polished Chrome
 PULL 4701PC
 3" Center
 Overall Length: 5⁵/₁₆"



T-Bar Pull - 5⁵/₁₆"
Satin Nickel
 PULL 4701SN
 3" Center
 Overall Length: 5⁵/₁₆"



T-Bar Pull - 5⁵/₁₆"
Modern Brushed Gold
 PULL 4701MG
 3" Center
 Overall Length: 5⁵/₁₆"



T-Bar Pull - 5⁵/₁₆"
Brushed Copper
 PULL 4701CP
 3" Center
 Overall Length: 5⁵/₁₆"



T-Bar Pull - 5⁵/₁₆"
Matte Black
 PULL 4701MB
 3" Center
 Overall Length: 5⁵/₁₆"



T-Bar Knob
Polished Chrome
 KNOB 4703PC



T-Bar Knob
Satin Nickel
 KNOB 4703SN



T-Bar Knob
Modern Brushed Gold
 KNOB 4703MG

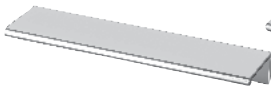


T-Bar Knob
Brushed Copper
 KNOB 4703CP



T-Bar Knob
Matte Black
 KNOB 4703MB

Tab



Tab Pull - 6"
Polished Chrome
 PULL 1060PC
 Overall Length: 6"



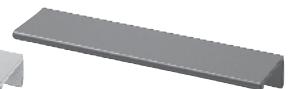
Tab Pull - 6"
Satin Nickel
 PULL 1060SN
 Overall Length: 6"



Tab Pull - 6"
Modern Brushed Gold
 PULL 1060MG
 Overall Length: 6"



Tab Pull - 6"
Brushed Copper
 PULL 1060CP
 Overall Length: 6"



Tab Pull - 6"
Matte Black
 PULL 1060MB
 Overall Length: 6"



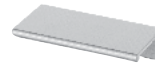
Tab Pull - 3"
Polished Chrome
 PULL 1055PC
 Overall Length: 3"



Tab Pull - 3"
Satin Nickel
 PULL 1055SN
 Overall Length: 3"



Tab Pull - 3"
Modern Brushed Gold
 PULL 1055MG
 Overall Length: 3"



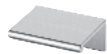
Tab Pull - 3"
Brushed Copper
 PULL 1055CP
 Overall Length: 3"



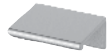
Tab Pull - 3"
Matte Black
 PULL 1055MB
 Overall Length: 3"



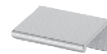
Tab Pull - 1 3/4"
Polished Chrome
 PULL 1050PC
 Overall Length: 1 3/4"



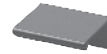
Tab Pull - 1 3/4"
Satin Nickel
 PULL 1050SN
 Overall Length: 1 3/4"



Tab Pull - 1 3/4"
Modern Brushed Gold
 PULL 1050MG
 Overall Length: 1 3/4"



Tab Pull - 1 3/4"
Brushed Copper
 PULL 1050CP
 Overall Length: 1 3/4"



Tab Pull - 1 3/4"
Matte Black
 PULL 1050MB
 Overall Length: 1 3/4"

Coat Hooks

NEW!

FINISHES



Brushed Gold
 HOOK BG
 3 1/8" Deep • 4" High



Satin Nickel
 HOOK SN
 3 1/8" Deep • 4" High

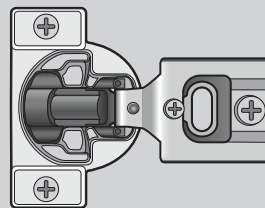
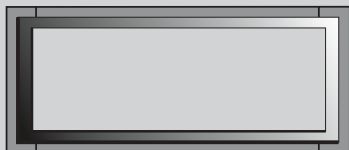
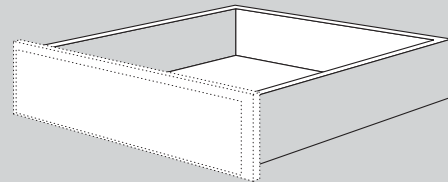
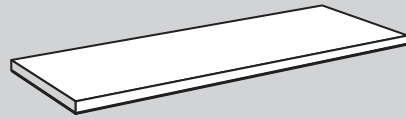
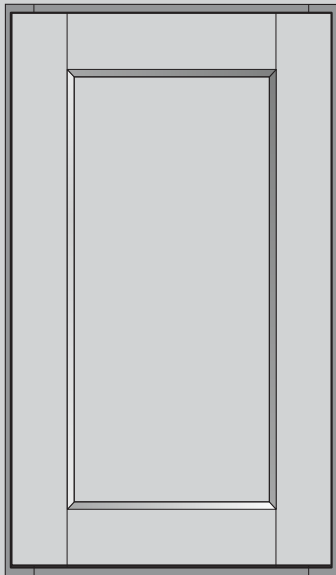


Verona Bronze
 HOOK VB
 3 1/8" Deep • 4" High



Matte Black
 HOOK MB
 3 1/8" Deep • 4" High

PARTS DIRECTORY



Legend

DOOR NOMENCLATURE LEGEND

Description:		Examples:
DR_	Door - must be ordered as hinged left, right or no drill	SKU: DR1230 Option: Left Hinge
DR_SD	Specialty Door - must be ordered as Mullion Frame or Open Frame and as hinged left, right, or no drill	SKU: DR1230 SD Option: OFD - Open Frame Door Option: Left Hinge
DR_FH	Full-Height Door - used for Full-Height Base, Full-Height Peninsula Base and Full-Height Vanity Base cabinets and must be ordered as hinged left, right, or no drill	SKU: DR15 FH Option: Left Hinge
DR_V	Standard Height Vanity Door - must be ordered as hinged left, right, or no drill	SKU: DR1821V Option: Right Hinge

DRAWER/PANEL FRONT NOMENCLATURE

Description:		Examples:
DDF_	Drawer Front - used for Base, Desk, Oven or Vanity standard cabinet drawer	DDF12
DDF_D	Large Drawer Front - used for Partial Overlay Base, Desk, Oven or Vanity large cabinet drawer	DDF12D
DDF_VD	Vanity Large Drawer Front - used for Full Overlay Vanity large cabinet drawer	DDF12VD
DDFKDC_	Kneehole Drawer Front - used for Kneehole cabinet drawer	DDFKDC27/21

DRAWER BODY NOMENCLATURE

Description:		Examples:
DRB_DT SG	Dovetail Drawer Box with side-mounted drawer glides	DRB12 X 18DP DT SG
DRB_SG	Engineered Wood Drawer Box with side-mounted drawer glides	DRB12 X 18DP SG
DRB_M SG	Large Engineered Wood Drawer Box with side-mounted drawer glides	DRB12M X 18DP SG

ADJUSTABLE SHELVING NOMENCLATURE

Description:		Examples:
__" SHELF 3/4	¾" Adjustable Shelf - used for standard construction Wall, Desk or Base with standard interior	12" SHELF 3/4
__" SHELF MI	¾" Matching Interior Adjustable Shelf - used for standard construction Matching Interior Wall cabinets including Specialty Door cabinets, replace 3/4 with MI	12" SHELF MI
S __	¾" Adjustable Shelf - used for standard construction Utility, Oven or Vanity Linen cabinets with standard interior	S3024
	¾" Matching Interior - used for Matching Interior Utility, Oven or Vanity Linen cabinets	SKU: S3024 Option: MI - Matching Interior

Adjustable Shelving Notes:

Microwave Wall Cabinet replacement shelves feature Matching Interior standard

Contents

WALL CABINETS

Standard Wall	166
Wall With Spice Rack	167
Blind Wall, Wall End Angle, Wall Top Hinge, Corner Wall	168
Refrigerator Wall	169
Wall Microwave, Wall Range Hood, Wall Easy Reach	170

BASE CABINETS

Standard Base, Base With Sliding Shelves, Peninsula Base	171
Blind Corner, Blind Peninsula Corner, Base With Wastebasket(s)	172
Full-Height Base, Full-Height Base With Accessory, Full-Height Base With Sliding Shelves	173
Full-Height Base With Wastebasket(s), Base End Angle	173
Full-Height Peninsula Base	173
Furniture Drawers, Pedestal Drawers	175
Three Drawer Bases, Four Drawer Bases, Base Microwave Cabinet, Built-In Base Microwave	175
Base Spice Drawer Cabinet, Spice Drawer Cabinet	175
Corner Sink Base, Corner Sink Front, Deep Sink Base, Sink/Range Base and Front	176
Sink Base With Factory Installed Tilt-Out Tray(s)	176
Corner Bases	177

TALL CABINETS

Utility With Adjustable Shelves	178
Utility With Sliding Shelves	179
Single Oven Cabinets	181
Double Oven Cabinets	183

VANITY CABINETS

31 1/8" Vanity Base, 31 1/8" Vanity Sink Base With Top Drawers, 18" Deep x 31 1/8" Vanity Combo Sink Base	185
31 1/8" Vanity Combo Sink Base, 34 1/2" Vanity Base	185
34 1/2" Vanity Sink Base With Top Drawers	185
34 1/2" High Vanity Combo Sink Base	186
Vanity Linen, Medicine Cabinet, Tri-View Mirror, Valet Cabinet, Full-Height Vanity Base	187
31 1/8" Vanity Sink Base, Vanity Sink Front	188
Vanity Drawer Base	189

DESK CABINETS

Desk Door	190
Kneehole Drawer Cabinet, Desk With Wastebasket(s), Desk Drawer Base, File Drawer Base	191

DIMENSIONS

Doors	192
Decorator Doors	193
Shelves, Sliding Shelves, Base Pot & Pan Organizer, Roll Out Tray Divider	194
Drawer Fronts	194
Drawer Boxes	195
Glass Inserts	196

MISCELLANEOUS PARTS & ACCESSORIES

.....	197
-------	-----

REPLACEMENT DRAWER REFERENCE SHEET

.....	199
-------	-----

SKU	Qty	DOOR	SPECIALTY DOOR	GLASS INSERT	Qty	ADJUSTABLE SHELF
						*For Matching Interior Adjustable Shelf, refer to Parts Directory legend
		Part Name	Part Name	Part Name		*Part Name
STANDARD WALL - 42" HIGH						
W942	1	DR942	N/A	N/A	3	9" SHELF 3/4
W1242	1	DR1242	DR1242 SD	DGI-1242	3	12" SHELF 3/4
W1542	1	DR1542	DR1542 SD	DGI-1542	3	15" SHELF 3/4
W1842	1	DR1842	DR1842 SD	DGI-1842	3	18" SHELF 3/4
W2142	1	DR2142	DR2142 SD	DGI-2142	3	21" SHELF 3/4
W2442 BUTT	2	DR1242 BUTT	DR1242 BUTT SD	DGI-1242 BUTT	3	24" SHELF 3/4
W2742 BUTT	2	DR1342 BUTT	DR1342 BUTT SD	DGI-1342 BUTT	3	27" SHELF 3/4
W3042 BUTT	2	DR1542 BUTT	DR1542 BUTT SD	DGI-1542 BUTT	3	30" SHELF 3/4
W3342 BUTT	2	DR1642 BUTT	DR1642 BUTT SD	DGI-1642 BUTT	3	33" SHELF 3/4
W3642 BUTT	2	DR1842 BUTT	DR1842 BUTT SD	DGI-1842 BUTT	3	36" SHELF 3/4
W3942	2	DR1942	DR1942 SD	DGI-1942	3	39" SHELF 3/4
W4242	2	DR2142	DR2142 SD	DGI-2142	3	42" SHELF 3/4
STANDARD WALL - 36" HIGH						
W936	1	DR936	N/A	N/A	2	9" SHELF 3/4
W1236	1	DR1236	DR1236 SD	DGI-1236	2	12" SHELF 3/4
W1536	1	DR1536	DR1536 SD	DGI-1536	2	15" SHELF 3/4
W1836	1	DR1836	DR1836 SD	DGI-1836	2	18" SHELF 3/4
W2136	1	DR2136	DR2136 SD	DGI-2136	2	21" SHELF 3/4
W2436 BUTT	2	DR1236 BUTT	DR1236 BUTT SD	DGI-1236 BUTT	2	24" SHELF 3/4
W2736 BUTT	2	DR1336 BUTT	DR1336 BUTT SD	DGI-1336 BUTT	2	27" SHELF 3/4
W3036 BUTT	2	DR1536 BUTT	DR1536 BUTT SD	DGI-1536 BUTT	2	30" SHELF 3/4
W3336 BUTT	2	DR1636 BUTT	DR1636 BUTT SD	DGI-1636 BUTT	2	33" SHELF 3/4
W3636 BUTT	2	DR1836 BUTT	DR1836 BUTT SD	DGI-1836 BUTT	2	36" SHELF 3/4
W3936	2	DR1936	DR1936 SD	DGI-1936	2	39" SHELF 3/4
W4236	2	DR2136	DR2136 SD	DGI-2136	2	42" SHELF 3/4
STANDARD WALL - 30" HIGH						
W930	1	DR930	N/A	N/A	2	9" SHELF 3/4
W1230	1	DR1230	DR1230 SD	DGI-1230	2	12" SHELF 3/4
W1530	1	DR1530	DR1530 SD	DGI-1530	2	15" SHELF 3/4
W1830	1	DR1830	DR1830 SD	DGI-1830	2	18" SHELF 3/4
W2130	1	DR2130	DR2130 SD	DGI-2130	2	21" SHELF 3/4
W2430	1	DR2430	N/A	N/A	2	24" SHELF 3/4
W2430 BUTT	2	DR1230 BUTT	DR1230 BUTT SD	DGI-1230 BUTT	2	24" SHELF 3/4
W2730 BUTT	2	DR1330 BUTT	DR1330 BUTT SD	DGI-1330 BUTT	2	27" SHELF 3/4
W3030 BUTT	2	DR1530 BUTT	DR1530 BUTT SD	DGI-1530 BUTT	2	30" SHELF 3/4
W3330 BUTT	2	DR1630 BUTT	DR1630 BUTT SD	DGI-1630 BUTT	2	33" SHELF 3/4
W3630 BUTT	2	DR1830 BUTT	DR1830 BUTT SD	DGI-1830 BUTT	2	36" SHELF 3/4
W3930	2	DR1930	DR1930 SD	DGI-1930	2	39" SHELF 3/4
W4230	2	DR2130	DR2130 SD	DGI-2130	2	42" SHELF 3/4
W4530	3	DR1530	DR1530 SD	DGI-1530	2	45" SHELF 3/4
W4830	2	DR2430	N/A	N/A	2	48" SHELF 3/4
STANDARD WALL - 27" HIGH						
W3027 BUTT	2	DR1527 BUTT	N/A	N/A	1	30" SHELF 3/4
STANDARD WALL - 24" HIGH						
W1224	1	DR1224	DR1224 SD	DGI-1224	1	12" SHELF 3/4
W1524	1	DR1524	DR1524 SD	DGI-1524	1	15" SHELF 3/4
W1824	1	DR1824	DR1824 SD	DGI-1824	1	18" SHELF 3/4
W2124	1	DR2124	DR2124 SD	DGI-2124	1	21" SHELF 3/4
W2424 BUTT	2	DR1224 BUTT	DR1224 BUTT SD	DGI-1224 BUTT	1	24" SHELF 3/4
W2724 BUTT	2	DR1324 BUTT	DR1324 BUTT SD	DGI-1324 BUTT	1	27" SHELF 3/4
W3024 BUTT	2	DR1524 BUTT	DR1524 BUTT SD	DGI-1524 BUTT	1	30" SHELF 3/4
W3324 BUTT	2	DR1624 BUTT	DR1624 BUTT SD	DGI-1624 BUTT	1	33" SHELF 3/4
W3624 BUTT	2	DR1824 BUTT	DR1824 BUTT SD	DGI-1824 BUTT	1	36" SHELF 3/4
W3924	2	DR1924	DR1924 SD	DGI-1924	1	39" SHELF 3/4
W4224	2	DR2124	DR2124 SD	DGI-2124	1	42" SHELF 3/4
W4524	3	DR1524	DR1524 SD	DGI-1524	1	45" SHELF 3/4

SKU	Qty	DOOR	SPECIALTY DOOR	GLASS INSERT	Qty	ADJUSTABLE SHELF
						*For Matching Interior Adjustable Shelf, refer to Parts Directory legend
		Part Name	Part Name	Part Name		*Part Name
STANDARD WALL - 21" HIGH						
W3021 BUTT	2	DR1521 BUTT	N/A	N/A	-	N/A
W3321 BUTT	2	DR1621 BUTT	N/A	N/A	-	N/A
W3621 BUTT	2	DR1821 BUTT	N/A	N/A	-	N/A
W3921	2	DR1921	N/A	N/A	-	N/A
STANDARD WALL - 18" HIGH						
W1218	1	DR1218	DR1218 SD	DGI-1218	-	N/A
W1518	1	DR1518	DR1518 SD	DGI-1518	-	N/A
W1818	1	DR1818	DR1818 SD	DGI-1818	-	N/A
W2118	1	DR2118	DR2118 SD	DGI-2118	-	N/A
W2418 BUTT	2	DR1218 BUTT	DR1218 BUTT SD	DGI-1218 BUTT	-	N/A
W2718 BUTT	2	DR1318 BUTT	DR1318 BUTT SD	DGI-1318 BUTT	-	N/A
W3018 BUTT	2	DR1518 BUTT	DR1518 BUTT SD	DGI-1518 BUTT	-	N/A
W3318 BUTT	2	DR1618 BUTT	DR1618 BUTT SD	DGI-1618 BUTT	-	N/A
W3618 BUTT	2	DR1818 BUTT	DR1818 BUTT SD	DGI-1818 BUTT	-	N/A
W3918	2	DR1918	DR1918 SD	DGI-1918	-	N/A
W4218	2	DR2118	DR2118 SD	DGI-2118	-	N/A
STANDARD WALL - 15" HIGH						
W1215	1	DR1215	DR1215 SD	DGI-1215	-	N/A
W1515	1	DR1515	DR1515 SD	DGI-1515	-	N/A
W1815	1	DR1815	DR1815 SD	DGI-1815	-	N/A
W2115	1	DR2115	DR2115 SD	DGI-2115	-	N/A
W2415 BUTT	2	DR1215 BUTT	DR1215 BUTT SD	DGI-1215 BUTT	-	N/A
W2715 BUTT	2	DR1315 BUTT	DR1315 BUTT SD	DGI-1315 BUTT	-	N/A
W3015 BUTT	2	DR1515 BUTT	DR1515 BUTT SD	DGI-1515 BUTT	-	N/A
W3315 BUTT	2	DR1615 BUTT	DR1615 BUTT SD	DGI-1615 BUTT	-	N/A
W3615 BUTT	2	DR1815 BUTT	DR1815 BUTT SD	DGI-1815 BUTT	-	N/A
W3915	2	DR1915	DR1915 SD	DGI-1915	-	N/A
STANDARD WALL - 12" HIGH						
W1212	1	DR1212	DR1212 SD	DGI-1212	-	N/A
W1512	1	DR1512	DR1512 SD	DGI-1512	-	N/A
W1812	1	DR1812	DR1812 SD	DGI-1812	-	N/A
W2112	1	DR2112	DR2112 SD	DGI-2112	-	N/A
W2412 BUTT	2	DR1212 BUTT	DR1212 BUTT SD	DGI-1212 BUTT	-	N/A
W2712 BUTT	2	DR1312 BUTT	DR1312 BUTT SD	DGI-1312 BUTT	-	N/A
W3012 BUTT	2	DR1512 BUTT	DR1512 BUTT SD	DGI-1512 BUTT	-	N/A
W3312 BUTT	2	DR1612 BUTT	N/A	N/A	-	N/A
W3612 BUTT	2	DR1812 BUTT	DR1812 BUTT SD	DGI-1812 BUTT	-	N/A
W3912	2	DR1912	DR1912 SD	DGI-1912	-	N/A
WITH SPICE RACK - 42" HIGH						
W1542 SR	1	DR1542	N/A	N/A	3	15" SHELF 3/4
W1842 SR	1	DR1842	N/A	N/A	3	18" SHELF 3/4
W2142 SR	1	DR2142	N/A	N/A	3	21" SHELF 3/4
WITH SPICE RACK - 36" HIGH						
W1536 SR	1	DR1536	N/A	N/A	2	15" SHELF 3/4
W1836 SR	1	DR1836	N/A	N/A	2	18" SHELF 3/4
W2136 SR	1	DR2136	N/A	N/A	2	21" SHELF 3/4
WITH SPICE RACK - 30" HIGH						
W1530 SR	1	DR1530	N/A	N/A	2	15" SHELF 3/4
W1830 SR	1	DR1830	N/A	N/A	2	18" SHELF 3/4
W2130 SR	1	DR2130	N/A	N/A	2	21" SHELF 3/4

SKU	Qty	DOOR	SPECIALTY DOOR	GLASS INSERT	Qty	ADJUSTABLE SHELF
						*For Matching Interior Adjustable Shelf, refer to Parts Directory legend
		Part Name	Part Name	Part Name		*Part Name
BLIND WALL - 42" HIGH						
BLW24/2742	1	DR1242	DR1242 SD	DGI-1242	3	24" SHELF 3/4
BLW30/3342	1	DR1842	DR1842 SD	DGI-1842	3	30" SHELF 3/4
BLW33/3642	1	DR2142	DR2142 SD	DGI-2142	3	33" SHELF 3/4
BLW36/3942 BUTT	2	DR1242 BUTT	DR1242 BUTT SD	DGI-1242 BUTT	3	36" SHELF 3/4
BLW39/4242 BUTT	2	DR1342 BUTT	DR1342 BUTT SD	DGI-1342 BUTT	3	39" SHELF 3/4
BLW42/4542 BUTT	2	DR1542 BUTT	DR1542 BUTT SD	DGI-1542 BUTT	3	42" SHELF 3/4
BLIND WALL - 36" HIGH						
BLW24/2736	1	DR1236	DR1236 SD	DGI-1236	2	24" SHELF 3/4
BLW30/3336	1	DR1836	DR1836 SD	DGI-1836	2	30" SHELF 3/4
BLW33/3636	1	DR2136	DR2136 SD	DGI-2136	2	33" SHELF 3/4
BLW36/3936 BUTT	2	DR1236 BUTT	DR1236 BUTT SD	DGI-1236 BUTT	2	36" SHELF 3/4
BLW39/4236 BUTT	2	DR1336 BUTT	DR1336 BUTT SD	DGI-1336 BUTT	2	39" SHELF 3/4
BLW42/4536 BUTT	2	DR1536 BUTT	DR1536 BUTT SD	DGI-1536 BUTT	2	42" SHELF 3/4
BLIND WALL - 30" HIGH						
BLW24/2730	1	DR1230	DR1230 SD	DGI-1230	2	24" SHELF 3/4
BLW27/3030	1	DR1530	DR1530 SD	DGI-1530	2	27" SHELF 3/4
BLW30/3330	1	DR1830	DR1830 SD	DGI-1830	2	30" SHELF 3/4
BLW33/3630	1	DR2130	DR2130 SD	DGI-2130	2	33" SHELF 3/4
BLW36/3930	1	DR2430	N/A	N/A	2	36" SHELF 3/4
BLW36/3930 BUTT	2	DR1230 BUTT	DR1230 BUTT SD	DGI-1230 BUTT	2	36" SHELF 3/4
BLW39/4230 BUTT	2	DR1330 BUTT	DR1330 BUTT SD	DGI-1330 BUTT	2	39" SHELF 3/4
BLW42/4530 BUTT	2	DR1530 BUTT	DR1530 BUTT SD	DGI-1530 BUTT	2	42" SHELF 3/4
BLW45/4830 BUTT	2	DR1630 BUTT	DR1630 BUTT SD	DGI-1630 BUTT	2	45" SHELF 3/4
BLW48/5130 BUTT	2	DR1830 BUTT	DR1830 BUTT SD	DGI-1830 BUTT	2	48" SHELF 3/4
BLIND WALL - 24" HIGH						
BLW24/2724	1	DR1224	DR1224 SD	DGI-1224	1	24" SHELF 3/4
BLW27/3024	1	DR1524	DR1524 SD	DGI-1524	1	27" SHELF 3/4
BLW30/3324	1	DR1824	DR1824 SD	DGI-1824	1	30" SHELF 3/4
BLW33/3624	1	DR2124	DR2124 SD	DGI-2124	1	33" SHELF 3/4
BLW36/3924 BUTT	2	DR1224 BUTT	DR1224 BUTT SD	DGI-1224 BUTT	1	36" SHELF 3/4
WALL END ANGLE						
WEA1242	1	DR1542	DR1542 SD	DGI-1542	3	WEA SHELF 3/4
WEA1236	1	DR1536	DR1536 SD	DGI-1536	2	WEA SHELF 3/4
WEA1230	1	DR1530	DR1530 SD	DGI-1530	2	WEA SHELF 3/4
WALL TOP HINGE - 12" HIGH						
WTH4212	1	DR4212 WTH	DR4212 WTH SD	DGI-1242	-	N/A
WALL TOP HINGE - 15" HIGH						
WTH3015	1	DR3015 WTH	DR3015 WTH SD	DGI-1530	-	N/A
WTH3615	1	DR3615 WTH	DR3615 WTH SD	DGI-1536	-	N/A
WALL TOP HINGE - 18" HIGH						
WTH3018	1	DR3018 WTH	DR3018 WTH SD	DGI-1830	-	N/A
WTH3618	1	DR3618 WTH	DR3618 WTH SD	DGI-1836	-	N/A
WALL TOP HINGE - 15" HIGH X 24" DEEP						
WTH3015 X 24DP	1	DR3015 WTH	DR3015 WTH SD	DGI-1530	-	N/A
WTH3615 X 24DP	1	DR3615 WTH	DR3615 WTH SD	DGI-1536	-	N/A
WALL TOP HINGE - 18" HIGH X 24" DEEP						
WTH3018 X 24DP	1	DR3018 WTH	DR3018 WTH SD	DGI-1830	-	N/A
WTH3618 X 24DP	1	DR3618 WTH	DR3618 WTH SD	DGI-1836	-	N/A
CORNER WALL - 42" HIGH						
CW2442	1	DR1542	DR1542 SD	DGI-1542	3	CW SHELF ADJ 3/4
CW2742	1	DR1542	DR1542 SD	DGI-1542	3	CW27 SHELF ADJ 3/4
CWS2442 WD	1	DR1542	DR1542 SD	DGI-1542	3	CWS24 SHELF WD NP

SKU	Qty	DOOR	SPECIALTY DOOR	GLASS INSERT	Qty	ADJUSTABLE SHELF
		Part Name	Part Name	Part Name		*Part Name
CORNER WALL - 36" HIGH						
CW2436	1	DR1536	DR1536 SD	DGI-1536	2	CW SHELF ADJ 3/4
CW2736	1	DR1536	DR1536 SD	DGI-1536	2	CW27 SHELF ADJ 3/4
CWS2436 WD	1	DR1536	DR1536 SD	DGI-1536	2	CWS24 SHELF WD NP
CORNER WALL - 30" HIGH						
CW2430	1	DR1530	DR1530 SD	DGI-1530	2	CW SHELF ADJ 3/4
CW2730	1	DR1530	DR1530 SD	DGI-1530	2	CW27 SHELF ADJ 3/4
CWS2430	1	DR1530	DR1530 SD	DGI-1530	1	CWS UNIT RAS
CWS2430 WD	1	DR1530	DR1530 SD	DGI-1530	2	CWS24 SHELF WD NP
CORNER WALL - 24" HIGH						
CW2424	1	DR1524	DR1524 SD	DGI-1524	-	N/A
CW2724	1	DR1524	DR1524 SD	DGI-1524	-	N/A
CORNER WALL - 18" HIGH						
CW2418	1	DR1518	DR1518 SD	DGI-1518	-	N/A
CW2718	1	DR1518	DR1518 SD	DGI-1518	-	N/A
CORNER WALL - 15" HIGH						
CW2415	1	DR1515	DR1515 SD	DGI-1515	-	N/A
CW2715	1	DR1515	DR1515 SD	DGI-1515	-	N/A
CORNER WALL - 12" HIGH						
CW2412	1	DR1512	DR1512 SD	DGI-1512	-	N/A
CW2712	1	DR1512	DR1512 SD	DGI-1512	-	N/A
REFRIGERATOR WALL - 27" HIGH X 24" DEEP						
W3027 X 24 DP BUTT	2	DR1527 BUTT	N/A	N/A	1	30" SHELF 3/4
REFRIGERATOR WALL - 24" HIGH X 24" DEEP						
W3024 X 24 DP BUTT	2	DR1524 BUTT	DR1524 BUTT SD	DGI-1524 BUTT	1	30" SHELF 3/4
W3324 X 24 DP BUTT	2	DR1624 BUTT	DR1624 BUTT SD	DGI-1624 BUTT	1	33" SHELF 3/4
W3624 X 24 DP BUTT	2	DR1824 BUTT	DR1824 BUTT SD	DGI-1824 BUTT	1	36" SHELF 3/4
W3724 X 24 DP BUTT	2	DR18.524 BUTT	DR18.524 BUTT SD	DGI-18.524 BUTT	1	37" SHELF 3/4
W3924 X 24 DP	2	DR1924	DR1924 SD	DGI-1924	1	39" SHELF 3/4
REFRIGERATOR WALL - 21" HIGH X 24" DEEP						
W3021 X 24 DP BUTT	2	DR1521 BUTT	N/A	N/A	-	N/A
W3321 X 24 DP BUTT	2	DR1621 BUTT	N/A	N/A	-	N/A
W3621 X 24 DP BUTT	2	DR1821 BUTT	N/A	N/A	-	N/A
W3721 X 24 DP BUTT	2	DR18.521 BUTT	N/A	N/A	-	N/A
W3921 X 24 DP BUTT	2	DR1921	N/A	N/A	-	N/A
REFRIGERATOR WALL - 18" HIGH X 24" DEEP						
W3018 X 24 DP BUTT	2	DR1518 BUTT	DR1518 BUTT SD	DGI-1518 BUTT	-	N/A
W3318 X 24 DP BUTT	2	DR1618 BUTT	DR1618 BUTT SD	DGI-1618 BUTT	-	N/A
W3618 X 24 DP BUTT	2	DR1818 BUTT	DR1818 BUTT SD	DGI-1818 BUTT	-	N/A
W3718 X 24 DP BUTT	2	DR18.518 BUTT	DR18.518 BUTT SD	DGI-18.518 BUTT	-	N/A
W3918 X 24 DP	2	DR1918	DR1918 SD	DGI-1918	-	N/A
REFRIGERATOR WALL - 15" HIGH X 24" DEEP						
W3015 X 24 DP BUTT	2	DR1515 BUTT	DR1515 BUTT SD	DGI-1515 BUTT	-	N/A
W3315 X 24 DP BUTT	2	DR1615 BUTT	DR1615 BUTT SD	DGI-1615 BUTT	-	N/A
W3615 X 24 DP BUTT	2	DR1815 BUTT	DR1815 BUTT SD	DGI-1815 BUTT	-	N/A
W3715 X 24 DP BUTT	2	DR18.515 BUTT	DR18.515 BUTT SD	DGI-18.515 BUTT	-	N/A
W3915 X 24 DP	2	DR1915	DR1915 SD	DGI-1915	-	N/A
REFRIGERATOR WALL - 12" HIGH X 24" DEEP						
W3012 X 24 DP BUTT	2	DR1512 BUTT	DR1512 BUTT SD	DGI-1512 BUTT	-	N/A
W3312 X 24 DP BUTT	2	DR1612 BUTT	N/A	N/A	-	N/A
W3612 X 24 DP BUTT	2	DR1812 BUTT	DR1812 BUTT SD	DGI-1812 BUTT	-	N/A
W3712 X 24 DP BUTT	2	DR18.512 BUTT	DR18.512 BUTT SD	DGI-18.512 BUTT	-	N/A
W3912 X 24 DP	2	DR1912	DR1912 SD	DGI-1912	-	N/A
W4212 X 24 DP	2	DR2112	N/A	N/A	-	N/A
W4812 X 24 DP BUTT	4	DR1212 BUTT	N/A	N/A	-	N/A

SKU	Qty	DOOR		ADJUSTABLE SHELF	
		Part Name	Qty	*For All Plywood Construction and/or Matching Interior Adjustable Shelf, refer to Parts Directory legend	
				*Part Name	
MICROWAVE WALL - 42" HIGH					
WMC301842 BUTT	2	DR1521 BUTT	-	N/A	
WMC302142 BUTT	2	DR1521 BUTT	-	N/A	
WALL MICROWAVE - 42" HIGH					
WMSC271842 BUTT	2	DR1324 BUTT	1	WMSC2718 TOP SHELF	
WALL MICROWAVE - 36" HIGH					
WMC301836 BUTT	2	DR1515 BUTT	-	N/A	
WMC302136 BUTT	2	DR1515 BUTT	-	N/A	
WALL MICROWAVE - 36" HIGH					
WMSC271236 BUTT	2	DR1315 BUTT	-	N/A	
WMSC271836 BUTT	2	DR1315 BUTT	-	N/A	
WMSC301236 BUTT	2	DR1515 BUTT	-	N/A	
COMPACT WALL MICROWAVE					
WCMSC241236 BUTT	2	DR1218 BUTT	-	N/A	
WCMSC271236 BUTT	2	DR1318 BUTT	-	N/A	
WALL RANGE HOOD - 30" HIGH					
WRH3030 SV	2	DR1521 BUTT	-	N/A	
WRH3630 SV	2	DR1821 BUTT	-	N/A	
WRH3030 RP	2	DR1521 BUTT	-	N/A	
WRH3630 RP	2	DR1821 BUTT	-	N/A	
WALL RANGE HOOD - 27" HIGH					
WRH3027 SV	2	DR1518 BUTT	-	N/A	
WRH3627 SV	2	DR1818 BUTT	-	N/A	
WRH3027 RP	2	DR1518 BUTT	-	N/A	
WRH3627 RP	2	DR1818 BUTT	-	N/A	
WALL RANGE HOOD - 24" HIGH					
WRH3024 SV	2	DR1515 BUTT	-	N/A	
WRH3624 SV	2	DR1815 BUTT	-	N/A	
WRH3024 RP	2	DR1515 BUTT	-	N/A	
WRH3624 RP	2	DR1815 BUTT	-	N/A	
WALL EASY REACH					
WER2442	1 1	DR1242 WER DRILL DR1242 WER ND	3	WER SHELF 3/4	
WER2436	1 1	DR1236 WER DRILL DR1236 WER ND	2	WER SHELF 3/4	
WER2430	1 1	DR1230 WER DRILL DR1230 WER ND	2	WER SHELF 3/4	

SKU	Qty	DOOR	Qty	DRAWER FRONT	Qty	DRAWER BODY	Qty	SHELF / ACCESSORY
						Part Name		Part Name
STANDARD BASE								
B12	1	DR1224	1	DDF12	1	DRB12 X 21DP SG	1	12" SHELF 3/4
B15	1	DR1524	1	DDF15	1	DRB15 X 21DP SG	1	15" SHELF 3/4
B18	1	DR1824	1	DDF18	1	DRB18 X 21DP SG	1	18" SHELF 3/4
B21	1	DR2124	1	DDF21	1	DRB21 X 21DP SG	1	21" SHELF 3/4
B24	1	DR2424	1	DDF24	1	DRB24 X 21DP SG	1	24" SHELF 3/4
B24 BUTT	2	DR1224 BUTT	1	DDF24	1	DRB24 X 21DP SG	1	24" SHELF 3/4
B27 BUTT	2	DR1324 BUTT	1	DDF27	1	DRB27 X 21DP SG	1	27" SHELF 3/4
B30 BUTT	2	DR1524 BUTT	1	DDF30	1	DRB30 X 21DP SG	1	30" SHELF 3/4
B33 BUTT	2	DR1624 BUTT	1	DDF33	1	DRB33 X 21DP SG	1	33" SHELF 3/4
B36 1TD BUTT	2	DR1824 BUTT	1	DDF36	1	DRB36 X 21DP SG	1	36" SHELF 3/4
B39	2	DR1924	2	DDF19	2	DRB19 X 21DP SG	1	39" SHELF 3/4
B42	2	DR2124	2	DDF21	2	DRB21 X 21DP SG	1	42" SHELF 3/4
B45	3	DR1524	3	DDF15	3	DRB15 X 21DP SG	1	45" SHELF 3/4
B48	2	DR2424	2	DDF24	2	DRB24 X 21DP SG	1	48" SHELF 3/4
BASE WITH ONE SLIDING SHELF								
B12 SS1	1	DR1224	1	DDF12	1	DRB12 X 21DP SG	1	SSK12
B15 SS1	1	DR1524	1	DDF15	1	DRB15 X 21DP SG	1	SSK15
B18 SS1	1	DR1824	1	DDF18	1	DRB18 X 21DP SG	1	SSK18
B21 SS1	1	DR2124	1	DDF21	1	DRB21 X 21DP SG	1	SSK21
B24 SS1	1	DR2424	1	DDF24	1	DRB24 X 21DP SG	1	SSK24
B24 SS1 BUTT	2	DR1224 BUTT	1	DDF24	1	DRB24 X 21DP SG	1	SSK24
B27 SS1 BUTT	2	DR1324 BUTT	1	DDF27	1	DRB27 X 21DP SG	1	SSK27
B30 SS1 BUTT	2	DR1524 BUTT	1	DDF30	1	DRB30 X 21DP SG	1	SSK30
B33 SS1 BUTT	2	DR1624 BUTT	1	DDF33	1	DRB33 X 21DP SG	1	SSK33
B36 SS1 1TD BUTT	2	DR1824 BUTT	1	DDF36	1	DRB36 X 21DP SG	1	SSK36
BASE WITH TWO HORIZONTAL SLIDING SHELVES								
B39 SS1	2	DR1924	2	DDF19	2	DRB19 X 21DP SG	2	SSK19
B42 SS1	2	DR2124	2	DDF21	2	DRB21 X 21DP SG	2	SSK21
B48 SS1	2	DR2424	2	DDF24	2	DRB24 X 21DP SG	2	SSK24
BASE WITH TWO VERTICAL SLIDING SHELVES								
B12 SS2	1	DR1224	1	DDF12	1	DRB12 X 21DP SG	2	SSK12
B15 SS2	1	DR1524	1	DDF15	1	DRB15 X 21DP SG	2	SSK15
B18 SS2	1	DR1824	1	DDF18	1	DRB18 X 21DP SG	2	SSK18
B21 SS2	1	DR2124	1	DDF21	1	DRB21 X 21DP SG	2	SSK21
B24 SS2	1	DR2424	1	DDF24	1	DRB24 X 21DP SG	2	SSK24
B24 SS2 BUTT	2	DR1224 BUTT	1	DDF24	1	DRB24 X 21DP SG	2	SSK24
B27 SS2 BUTT	2	DR1324 BUTT	1	DDF27	1	DRB27 X 21DP SG	2	SSK27
B30 SS2 BUTT	2	DR1524 BUTT	1	DDF30	1	DRB30 X 21DP SG	2	SSK30
B33 SS2 BUTT	2	DR1624 BUTT	1	DDF33	1	DRB33 X 21DP SG	2	SSK33
B36 SS2 1TD BUTT	2	DR1824 BUTT	1	DDF36	1	DRB36 X 21DP SG	2	SSK36
BASE WITH THREE HORIZONTAL SLIDING SHELVES								
B45 SS1	3	DR1524	3	DDF15	3	DRB15 X 21DP SG	3	SSK15
BASE WITH FOUR SLIDING SHELVES								
B39 SS2	2	DR1924	2	DDF19	2	DRB19 X 21DP SG	4	SSK19
B42 SS2	2	DR2124	2	DDF21	2	DRB21 X 21DP SG	4	SSK21
B48 SS2	2	DR2424	2	DDF24	2	DRB24 X 21DP SG	4	SSK24
BASE WITH SIX SLIDING SHELVES								
B45 SS2	3	DR1524	3	DDF15	3	DRB15 X 21DP SG	6	SSK15
PENINSULA BASE								
PB12	2	DR1224	2	DDF12	2	DRB12 X 21DP SG	1	12" SHELF PB 3/4
PB18	2	DR1824	2	DDF18	2	DRB18 X 21DP SG	1	18" SHELF PB 3/4
PB24	2	DR2424	2	DDF24	2	DRB24 X 21DP SG	1	24" SHELF PB 3/4
PB24 BUTT	4	DR1224 BUTT	2	DDF24	2	DRB24 X 21DP SG	1	24" SHELF PB 3/4
PB30 BUTT	4	DR1524 BUTT	2	DDF30	2	DRB30 X 21DP SG	1	30" SHELF PB 3/4
PB36 1TD BUTT	4	DR1824 BUTT	2	DDF36	2	DRB36 X 21DP SG	1	36" SHELF PB 3/4
PB42	4	DR2124	4	DDF21	4	DRB21 X 21DP SG	1	42" SHELF PB 3/4

SKU	Qty	DOOR	Qty	DRAWER FRONT	Qty	DRAWER BODY	Qty	SHELF / ACCESSORY
						Part Name		Part Name
BLIND CORNER								
BLB36/39	1	DR1224	1	DDF12	1	DRB12 X 21DP SG	1	27" SHELF 3/4
BLB39/42	1	DR1524	1	DDF15	1	DRB15 X 21DP SG	1	33" SHELF 3/4
BLB42/45	1	DR1824	1	DDF18	1	DRB18 X 21DP SG	1	39" SHELF 3/4
BLB45/48	1	DR2124	1	DDF21	1	DRB21 X 21DP SG	1	45" SHELF 3/4
BLB48/51	1	DR2124	1	DDF21	1	DRB21 X 21DP SG	1	48" SHELF 3/4
BASE WITH BOTTOM MOUNT WASTEBASKET(S)								
BWBB15	1	DR1524 ND	1	DDF15	1	DRB15 X 21DP SG	1	BWBB15_OL KIT
BWBB15-2	1	DR1524 ND	1	DDF15	1	DRB15 X 21DP SG	1	BWBB15-2_OL KIT
BWBB18-2	1	DR1824 ND	1	DDF18	1	DRB18 X 21DP SG	1	BWBB18-2_OL KIT
BWBB21-2	1	DR2124 ND	1	DDF21	1	DRB21 X 21DP SG	1	BWBB21-2_OL KIT
BLIND PENINSULA CORNER								
PBC24	1	DR2424	1	DDF24	1	DRB24 X 21DP SG	1	24" SHELF PB 3/4
PBC24 BUTT	2	DR1224 BUTT	1	DDF24	1	DRB24 X 21DP SG	1	24" SHELF PB 3/4

SKU	Qty	DOOR		Qty	ADJUSTABLE SHELF/ACCESSORY
		Partial Overlay			Part Name
		Part Name			
FULL HEIGHT BASE					
TB9	1		DR930	-	N/A
B12 FH	1		DR1230	1	12" SHELF 3/4
B15 FH	1		DR1530	1	15" SHELF 3/4
B18 FH	1		DR1830	1	18" SHELF 3/4
B21 FH	1		DR2130	1	21" SHELF 3/4
B24 FH	1		DR2430	1	24" SHELF 3/4
B24 BUTT FH	2		DR1230 BUTT	1	24" SHELF 3/4
B27 BUTT FH	2		DR1330 BUTT	1	27" SHELF 3/4
B30 BUTT FH	2		DR1530 BUTT	1	30" SHELF 3/4
B33 BUTT FH	2		DR1630 BUTT	1	33" SHELF 3/4
B36 BUTT FH	2		DR1830 BUTT	1	36" SHELF 3/4
FULL HEIGHT BASE WITH ACCESSORY					
TB9 TDS	1		DR930	1	9" SHELF 24 DP 3/4
FULL HEIGHT BASE WITH TWO SLIDING SHELVES					
B12 FH SS2	1		DR1230	2	SSK12
B15 FH SS2	1		DR1530	2	SSK15
B18 FH SS2	1		DR1830	2	SSK18
B21 FH SS2	1		DR2130	2	SSK21
B24 FH SS2	1		DR2430	2	SSK24
B24 BUTT FH SS2	2		DR1230 BUTT	2	SSK24
B27 BUTT FH SS2	2		DR1330 BUTT	2	SSK27
B30 BUTT FH SS2	2		DR1530 BUTT	2	SSK30
B33 BUTT FH SS2	2		DR1630 BUTT	2	SSK33
B36 BUTT FH SS2	2		DR1830 BUTT	2	SSK36
FULL HEIGHT BASE WITH FOUR SLIDING SHELVES					
B12 FH SS4	1		DR1230	4	SSK12
B15 FH SS4	1		DR1530	4	SSK15
B18 FH SS4	1		DR1830	4	SSK18
B21 FH SS4	1		DR2130	4	SSK21
B24 FH SS4	1		DR2430	4	SSK24
B24 BUTT FH SS4	2		DR1230 BUTT	4	SSK24
B27 BUTT FH SS4	2		DR1330 BUTT	4	SSK27
B30 BUTT FH SS4	2		DR1530 BUTT	4	SSK30
B33 BUTT FH SS4	2		DR1630 BUTT	4	SSK33
B36 BUTT FH SS4	2		DR1830 BUTT	4	SSK36
FULL-HEIGHT BASE WITH BOTTOM MOUNT WASTEBASKET(S)					
BWBB15 FH	1		DR1530 ND	1	BWBB15 FH_OL KIT
BWBB18 FH	1		DR1830 ND	1	BWBB18 FH_OL KIT
BWBB21-2 FH	1		DR2130 ND	1	BWBB21-2 FH_OL KIT
BASE END ANGLE					
BEA12 FH	1		DR1530	1	BEA12 SHELF 3/4
BEA24 FH	2		DR1830	1	BEA SHELF 3/4
FULL HEIGHT PENINSULA BASE					
PB12 FH	2		DR1230	1	12" SHELF PB 3/4
PB18 FH	2		DR1830	1	18" SHELF PB 3/4
PB24 BUTT FH	4		DR1230 BUTT	1	24" SHELF PB 3/4
PB30 BUTT FH	4		DR1530 BUTT	1	30" SHELF PB 3/4
PB36 BUTT FH	4		DR1830 BUTT	1	36" SHELF PB 3/4

SKU	Qty	DRAWER FRONT		DRAWER BODY
		Partial Overlay		Part Name
		Part Name		
FURNITURE DRAWERS - 12" DEEP - 6" HIGH				
FD121206	1	DDF12		DRB12 X 9DP SG
FD151206	1	DDF15		DRB15 X 9DP SG
FD181206	1	DDF18		DRB18 X 9DP SG
FD211206	1	DDF21		DRB21 X 9DP SG
FD241206	1	DDF24		DRB24 X 9DP SG
FD271206	1	DDF27		DRB27 X 9DP SG
FD301206	1	DDF30		DRB30 X 9DP SG
FD331206	1	DDF33		DRB33 X 9DP SG
FD361206	1	DDF36		DRB36 X 9DP SG
FURNITURE DRAWERS - 24" DEEP - 6" HIGH				
FD122406	1	DDF12		DRB12 X 21DP SG
FD152406	1	DDF15		DRB15 X 21DP SG
FD182406	1	DDF18		DRB18 X 21DP SG
FD212406	1	DDF21		DRB21 X 21DP SG
FD242406	1	DDF24		DRB24 X 21DP SG
FD272406	1	DDF27		DRB27 X 21DP SG
FD302406	1	DDF30		DRB30 X 21DP SG
FD332406	1	DDF33		DRB33 X 21DP SG
FD362406	1	DDF36		DRB36 X 21DP SG
FURNITURE DRAWERS - 12" DEEP - 12" HIGH				
FD121212	1	DDF12D		DRB12M X 9DP SG
FD151212	1	DDF15D		DRB15M X 9DP SG
FD181212	1	DDF18D		DRB18M X 9DP SG
FD211212	1	DDF21D		DRB21M X 9DP SG
FD241212	1	DDF24D		DRB24M X 9DP SG
FD271212	1	DDF27D		DRB27M X 9DP SG
FD301212	1	DDF30D		DRB30M X 9DP SG
FD331212	1	DDF33D		DRB33M X 9DP SG
FD361212	1	DDF36D		DRB36M X 9DP SG
FURNITURE DRAWERS - 24" DEEP - 12" HIGH				
FD122412	1	DDF12D		DRB12M X 21DP SG
FD152412	1	DDF15D		DRB15M X 21DP SG
FD182412	1	DDF18D		DRB18M X 21DP SG
FD212412	1	DDF21D		DRB21M X 21DP SG
FD242412	1	DDF24D		DRB24M X 21DP SG
FD272412	1	DDF27D		DRB27M X 21DP SG
FD302412	1	DDF30D		DRB30M X 21DP SG
FD332412	1	DDF33D		DRB33M X 21DP SG
FD362412	1	DDF36D		DRB36M X 21DP SG
PEDESTAL DRAWERS				
PD1217 1DWR	1	DDF12D		DRB12M X 21DP SG
PD1517 1DWR	1	DDF15D		DRB15M X 21DP SG
PD1817 1DWR	1	DDF18D		DRB18M X 21DP SG
PD2117 1DWR	1	DDF21D		DRB21M X 21DP SG
PD2417 1DWR	1	DDF24D		DRB24M X 21DP SG
PD2717 1DWR	1	DDF27D		DRB27M X 21DP SG
PD3017 1DWR	1	DDF30D		DRB30M X 21DP SG
PD3317 1DWR	1	DDF33D		DRB33M X 21DP SG
PD3617 1DWR	1	DDF36D		DRB36M X 21DP SG

SKU	Qty	DRAWER / PANEL FRONT		Qty	DRAWER BODY	
		Partial Overlay				
		Part Name			Part Name	
THREE DRAWER BASE						
DB12	1 2	DDF12 DDF12D		1 2	DRB12 X 21DP SG DRB12M X 21DP SG	
DB15	1 2	DDF15 DDF15D		1 2	DRB15 X 21DP SG DRB15M X 21DP SG	
DB18	1 2	DDF18 DDF18D		1 2	DRB18 X 21DP SG DRB18M X 21DP SG	
DB21	1 2	DDF21 DDF21D		1 2	DRB21 X 21DP SG DRB21M X 21DP SG	
DB24	1 2	DDF24 DDF24D		1 2	DRB24 X 21DP SG DRB24M X 21DP SG	
DB27	1 2	DDF27 DDF27D		1 2	DRB27 X 21DP SG DRB27M X 21DP SG	
DB30	1 2	DDF30 DDF30D		1 2	DRB30 X 21DP SG DRB30M X 21DP SG	
DB33	1 2	DDF33 DDF33D		1 2	DRB33 X 21DP SG DRB33M X 21DP SG	
DB36 1TD	1 2	DDF36 DDF36D		1 2	DRB36 X 21DP SG DRB36M X 21DP SG	
FOUR DRAWER BASE						
DB12 4DWR	3 1	DDF12 DDF12D		3 1	DRB12 X 21DP SG DRB12M X 21DP SG	
DB15 4DWR	3 1	DDF15 DDF15D		3 1	DRB15 X 21DP SG DRB15M X 21DP SG	
DB18 4DWR	3 1	DDF18 DDF18D		3 1	DRB18 X 21DP SG DRB18M X 21DP SG	
DB21 4DWR	3 1	DDF21 DDF21D		3 1	DRB21 X 21DP SG DRB21M X 21DP SG	
DB24 4DWR	3 1	DDF24 DDF24D		3 1	DRB24 X 21DP SG DRB24M X 21DP SG	
BUILT-IN BASE MICROWAVE CABINET						
BBMC24	1	DDF24		1	DRB21 X 21DP SG	
BBMC27	1	DDF27		1	DRB24 X 21DP SG	
BBMC30	1	DDF30		1	DRB27 X 21DP SG	
BASE MICROWAVE CABINET						
BMC24	2	DDF24		2	DRB24 X 21DP SG	
BMC27	2	DDF27		2	DRB27 X 21DP SG	
BMC30	2	DDF30		2	DRB30 X 21DP SG	
BASE SPICE DRAWER CABINET						
BSDC6	5	DDF SDC		5	DRB6 BSDC6	
WALL SPICE DRAWER CABINET						
SDC18	3	DDF SDC		3	DRB6 SDC30	
SDC24	4	DDF SDC		4	DRB6 SDC30	
SDC30	5	DDF SDC		5	DRB6 SDC30	
SDC36	6	DDF SDC		6	DRB6 SDC30	

SKU	Qty	DOOR		PANEL	
		Part Name	Qty	Part Name	Qty
CORNER SINK BASE					
CSB36	1	DR1524	1	DDF15	
CORNER SINK FRONT					
CSF36	1	DR1524	1	DDF15	
CSF42	1	DR2424	1	DDF24	
DEEP SINK/RANGE BASE					
DSB30 BUTT	2	DR1521 BUTT	-	N/A	
DSB33 BUTT	2	DR1621 BUTT	-	N/A	
DSB36 BUTT	2	DR1821 BUTT	-	N/A	
DSB39	2	DR1921	-	N/A	
SINK BASE MULTI-STORAGE					
SBMSC30 BUTT STO	2	DR1524 BUTT	1	DDF30 DRILL	
SBMSC36 BUTT STO	2	DR1824 BUTT	1	DDF36 DRILL	
SINK/COOKTOP BASE AND FRONT					
SF12	1	DR1224	1	DDF12	
SF15	1	DR1524	1	DDF15	
SB18 / SF18	1	DR1824	1	DDF18	
SB21 / SF21	1	DR2124	1	DDF21	
SB24 / SF24	1	DR2424	1	DDF24	
SB24 BUTT / SF24 BUTT	2	DR1224 BUTT	1	DDF24	
SB27 BUTT / SF27 BUTT	2	DR1324 BUTT	1	DDF27	
SB30 BUTT / SF30 BUTT	2	DR1524 BUTT	1	DDF30	
SB33 BUTT / SF33 BUTT	2	DR1624 BUTT	1	DDF33	
SB36 BUTT / SF36 BUTT	2	DR1824 BUTT	1	DDF36	
SB39 / SF39	2	DR1924	2	DDF19	
SB42 / SF42	2	DR2124	2	DDF21	
SB45 / SF45	3	DR1524	3	DDF15	
SB48 / SF48	2	DR2424	2	DDF24	
SINK BASE WITH FACTORY INSTALLED TILT-OUT TRAY(S)					
SB21 STO	1	DR2124	1	DDF21 DRILL	
SB24 STO	1	DR2424	1	DDF24 DRILL	
SB24 BUTT STO	2	DR1224 BUTT	1	DDF24 DRILL	
SB27 BUTT STO	2	DR1324 BUTT	1	DDF27 DRILL	
SB30 BUTT STO	2	DR1524 BUTT	1	DDF30 DRILL	
SB33 BUTT STO	2	DR1624 BUTT	1	DDF33 DRILL	
SB36 BUTT STO	2	DR1824 BUTT	1	DDF36 DRILL	
SB39 STO	2	DR1924	2	DDF19 DRILL	
SB42 STO	2	DR2124	2	DDF21 DRILL	
SB48 STO	2	DR2424	2	DDF24 DRILL	

SKU	DOOR		SPIN UNIT	
	Qty	Part Name	Qty	Part Name
CORNER BASE				
BER33 (L/R)	1 1	DR930 BER DRILL DR930 BER ND	-	N/A
BER3336L	1 1	DR930 BER DRILL DR1230 BER ND	-	N/A
BER3336R	1 1	DR930 BER ND DR1230 BER DRILL	-	N/A
BER36 (L/R)	1 1	DR1230 BER DRILL DR1230 BER ND	-	N/A
BER3633L	1 1	DR1230 BER DRILL DR930 BER ND	-	N/A
BER3633R	1 1	DR1230 BER ND DR930 BER DRILL	-	N/A
BSS33 (L/R)	1 1	DR930 BER DRILL DR930 BER ND	1	BSS33 UNIT RAS
BSS33 (L/R) WD	1 1	DR930 BER DRILL DR930 BER ND	2	BSS33 SHELF WD NP
BSS3336L	1 1	DR930 BER DRILL DR1230 BER ND	1	BSS33 UNIT RAS
BSS3336L WD	1 1	DR930 BER DRILL DR1230 BER ND	2	BSS3336 SHELF WD NP
BSS3336R	1 1	DR930 BER ND DR1230 BER DRILL	1	BSS33 UNIT RAS
BSS3336R WD	1 1	DR930 BER ND DR1230 BER DRILL	2	BSS3336 SHELF WD NP
BSS36 (L/R)	1 1	DR1230 BER DRILL DR1230 BER ND	1	BSS36 UNIT RAS
BSS36 (L/R) WD	1 1	DR1230 BER DRILL DR1230 BER ND	2	BSS36 SHELF WD NP
BSS3633L	1 1	DR1230 BER DRILL DR930 BER ND	1	BSS33 UNIT RAS
BSS3633L WD	1 1	DR1230 BER DRILL DR930 BER ND	2	BSS3633 SHELF WD NP
BSS3633R	1 1	DR1230 BER ND DR930 BER DRILL	1	BSS33 UNIT RAS
BSS3633R WD	1 1	DR1230 BER ND DR930 BER DRILL	2	BSS3633 SHELF WD NP
CAR36 (L/R)	1 1	DR1230 BER DRILL DR1230 BER ND	1	CAR36 UNIT RAS
CAR36 (L/R) WD	1 1 1	DR1230 BER DRILL DR1230 BER ND	2 1 1	CAR36 SHELF WD BSSCWSCAR T-SHAFT RA WOOD SPIN SHELF HDW
CBS36	1	DRCBS36	1	CBS36 UNIT RAS
CBS36 WD	1	DRCBS36	2	CBS SHELF WD NP

SKU	Qty	DOOR	SPECIALTY DOOR	GLASS INSERT	Qty	ADJUSTABLE SHELF
						*For Matching Interior Adjustable Shelf, refer to Parts Directory legend
		Part Name	Part Name	Part Name		*Part Name
UTILITY WITH ADJUSTABLE SHELVES - 12" DEEP X 84" HIGH						
UT1212 X 84 AS	1 1	DR1230 DR1250	DR1230 SD	DGI-1230	5	S1212
UT1512 X 84 AS	1 1	DR1530 DR1550	DR1530 SD	DGI-1530	5	S1512
UT1812 X 84 AS	1 1	DR1830 DR1850	DR1830 SD	DGI-1830	5	S1812
UT2112 X 84 AS	1 1	DR2130 DR2150	DR2130 SD	DGI-2130	5	S2112
UT2412 X 84 AS BUTT	2 2	DR1230 BUTT DR1250 BUTT	DR1230 BUTT SD	DGI-1230 BUTT	5	S2412
UTILITY WITH ADJUSTABLE SHELVES - 12" DEEP X 90" HIGH						
UT1212 X 90 AS	1 1	DR1236 DR1250	DR1236 SD	DGI-1236	6	S1212
UT1512 X 90 AS	1 1	DR1536 DR1550	DR1536 SD	DGI-1536	6	S1512
UT1812 X 90 AS	1 1	DR1836 DR1850	DR1836 SD	DGI-1836	6	S1812
UT2112 X 90 AS	1 1	DR2136 DR2150	DR2136 SD	DGI-2136	6	S2112
UT2412 X 90 AS BUTT	2 2	DR1236 BUTT DR1250 BUTT	DR1236 BUTT SD	DGI-1236 BUTT	6	S2412
UTILITY WITH ADJUSTABLE SHELVES - 12" DEEP X 96" HIGH						
UT1212 X 96 AS	1 1	DR1242 DR1250	DR1242 SD	DGI-1242	7	S1212
UT1512 X 96 AS	1 1	DR1542 DR1550	DR1542 SD	DGI-1542	7	S1512
UT1812 X 96 AS	1 1	DR1842 DR1850	DR1842 SD	DGI-1842	7	S1812
UT2112 X 96 AS	1 1	DR2142 DR2150	DR2142 SD	DGI-2142	7	S2112
UT2412 X 96 AS BUTT	2 2	DR1242 BUTT DR1250 BUTT	DR1242 BUTT SD	DGI-1242 BUTT	7	S2412
UTILITY WITH ADJUSTABLE SHELVES - 24" DEEP X 84" HIGH						
UT1224 X 84 AS	1 1	DR1230 DR1250	DR1230 SD	DGI-1230	5	S1224
UT1524 X 84 AS	1 1	DR1530 DR1550	DR1530 SD	DGI-1530	5	S1524
UT1824 X 84 AS	1 1	DR1830 DR1850	DR1830 SD	DGI-1830	5	S1824
UT2124 X 84 AS	1 1	DR2130 DR2150	DR2130 SD	DGI-2130	5	S2124
UT2424 X 84 AS BUTT	2 2	DR1230 BUTT DR1250 BUTT	DR1230 BUTT SD	DGI-1230 BUTT	5	S2424
UT2724 X 84 AS BUTT	2 2	DR1330 BUTT DR1350 BUTT	DR1330 BUTT SD	DGI-1330 BUTT	5	S2724
UT3024 X 84 AS BUTT	2 2	DR1530 BUTT DR1550 BUTT	DR1530 BUTT SD	DGI-1530 BUTT	5	S3024
UT3324 X 84 AS BUTT	2 2	DR1630 BUTT DR1650 BUTT	DR1630 BUTT SD	DGI-1630 BUTT	5	S3324
UT3624 X 84 AS BUTT	2 2	DR1830 BUTT DR1850 BUTT	DR1830 BUTT SD	DGI-1830 BUTT	5	S3624

SKU	Qty	DOOR	SPECIALTY DOOR	GLASS INSERT	Qty	ADJUSTABLE SHELF
						*For Matching Interior Adjustable Shelf, refer to Parts Directory legend
		Part Name	Part Name	Part Name		*Part Name
UTILITY WITH ADJUSTABLE SHELVES - 24" DEEP X 90" HIGH						
UT1224 X 90 AS	1 1	DR1236 DR1250	DR1236 SD	DGI-1236	6	S1224
UT1524 X 90 AS	1 1	DR1536 DR1550	DR1536 SD	DGI-1536	6	S1524
UT1824 X 90 AS	1 1	DR1836 DR1850	DR1836 SD	DGI-1836	6	S1824
UT2124 X 90 AS	1 1	DR2136 DR2150	DR2136 SD	DGI-2136	6	S2124
UT2424 X 90 AS BUTT	2 2	DR1236 BUTT DR1250 BUTT	DR1236 BUTT SD	DGI-1236 BUTT	6	S2424
UT2724 X 90 AS BUTT	2 2	DR1336 BUTT DR1350 BUTT	DR1336 BUTT SD	DGI-1336 BUTT	6	S2724
UT3024 X 90 AS BUTT	2 2	DR1536 BUTT DR1550 BUTT	DR1536 BUTT SD	DGI-1536 BUTT	6	S3024
UT3324 X 90 AS BUTT	2 2	DR1636 BUTT DR1650 BUTT	DR1636 BUTT SD	DGI-1636 BUTT	6	S3324
UT3624 X 90 AS BUTT	2 2	DR1836 BUTT DR1850 BUTT	DR1836 BUTT SD	DGI-1836 BUTT	6	S3624
UTILITY WITH ADJUSTABLE SHELVES - 24" DEEP X 96" HIGH						
UT1224 X 96 AS	1 1	DR1242 DR1250	DR1242 SD	DGI-1242	7	S1224
UT1524 X 96 AS	1 1	DR1542 DR1550	DR1542 SD	DGI-1542	7	S1524
UT1824 X 96 AS	1 1	DR1842 DR1850	DR1842 SD	DGI-1842	7	S1824
UT2124 X 96 AS	1 1	DR2142 DR2150	DR2142 SD	DGI-2142	7	S2124
UT2424 X 96 AS BUTT	2 2	DR1242 BUTT DR1250 BUTT	DR1242 BUTT SD	DGI-1242 BUTT	7	S2424
UT2724 X 96 AS BUTT	2 2	DR1342 BUTT DR1350 BUTT	DR1342 BUTT SD	DGI-1342 BUTT	7	S2724
UT3024 X 96 AS BUTT	2 2	DR1542 BUTT DR1550 BUTT	DR1542 BUTT SD	DGI-1542 BUTT	7	S3024
UT3324 X 96 AS BUTT	2 2	DR1642 BUTT DR1650 BUTT	DR1642 BUTT SD	DGI-1642 BUTT	7	S3324
UT3624 X 96 AS BUTT	2 2	DR1842 BUTT DR1850 BUTT	DR1842 BUTT SD	DGI-1842 BUTT	7	S3624
UTILITY WITH SLIDING SHELVES - 84" HIGH						
UT1224 X 84 4SSK	1 1	DR1230 DR1250	DR1230 SD	DGI-1230	1 4	S1224 SSK12
UT1524 X 84 4SSK	1 1	DR1530 DR1550	DR1530 SD	DGI-1530	1 4	S1524 SSK15
UT1824 X 84 4SSK	1 1	DR1830 DR1850	DR1830 SD	DGI-1830	1 4	S1824 SSK18
UT2124 X 84 4SSK	1 1	DR2130 DR2150	DR2130 SD	DGI-2130	1 4	S2124 SSK21
UT2424 X 84 4SSK BUTT	2 2	DR1230 BUTT DR1250 BUTT	DR1230 BUTT SD	DGI-1230 BUTT	1 4	S2424 SSK24
UT2724 X 84 4SSK BUTT	2 2	DR1330 BUTT DR1350 BUTT	DR1330 BUTT SD	DGI-1330 BUTT	1 4	S2724 SSK27
UT3024 X 84 4SSK BUTT	2 2	DR1530 BUTT DR1550 BUTT	DR1530 BUTT SD	DGI-1530 BUTT	1 4	S3024 SSK30
UT3324 X 84 4SSK BUTT	2 2	DR1630 BUTT DR1650 BUTT	DR1630 BUTT SD	DGI-1630 BUTT	1 4	S3324 SSK33
UT3624 X 84 4SSK BUTT	2 2	DR1830 BUTT DR1850 BUTT	DR1830 BUTT SD	DGI-1830 BUTT	1 4	S3624 SSK36

SKU	Qty	DOOR	SPECIALTY DOOR	GLASS INSERT	Qty	ADJUSTABLE SHELF
						*For Matching Interior Adjustable Shelf, refer to Parts Directory legend
		Part Name	Part Name	Part Name		*Part Name
UTILITY WITH SLIDING SHELVES - 90" HIGH						
UT1224 X 90 4SSK	1 1	DR1236 DR1250	DR1236 SD	DGI-1236	2 4	S1224 SSK12
UT1524 X 90 4SSK	1 1	DR1536 DR1550	DR1536 SD	DGI-1536	2 4	S1524 SSK15
UT1824 X 90 4SSK	1 1	DR1836 DR1850	DR1836 SD	DGI-1836	2 4	S1824 SSK18
UT2124 X 90 4SSK	1 1	DR2136 DR2150	DR2136 SD	DGI-2136	2 4	S2124 SSK21
UT2424 X 90 4SSK BUTT	2 2	DR1236 BUTT DR1250 BUTT	DR1236 BUTT SD	DGI-1236 BUTT	2 4	S2424 SSK24
UT2724 X 90 4SSK BUTT	2 2	DR1336 BUTT DR1350 BUTT	DR1336 BUTT SD	DGI-1336 BUTT	2 4	S2724 SSK27
UT3024 X 90 4SSK BUTT	2 2	DR1536 BUTT DR1550 BUTT	DR1536 BUTT SD	DGI-1536 BUTT	2 4	S3024 SSK30
UT3324 X 90 4SSK BUTT	2 2	DR1636 BUTT DR1650 BUTT	DR1636 BUTT SD	DGI-1636 BUTT	2 4	S3324 SSK33
UT3624 X 90 4SSK BUTT	2 2	DR1836 BUTT DR1850 BUTT	DR1836 BUTT SD	DGI-1836 BUTT	2 4	S3624 SSK36
UTILITY WITH SLIDING SHELVES - 96" HIGH						
UT1224 X 96 4SSK	1 1	DR1242 DR1250	DR1242 SD	DGI-1242	3 4	S1224 SSK12
UT1524 X 96 4SSK	1 1	DR1542 DR1550	DR1542 SD	DGI-1542	3 4	S1524 SSK15
UT1824 X 96 4SSK	1 1	DR1842 DR1850	DR1842 SD	DGI-1842	3 4	S1824 SSK18
UT2124 X 96 4SSK	1 1	DR2142 DR2150	DR2142 SD	DGI-2142	3 4	S2124 SSK21
UT2424 X 96 4SSK BUTT	2 2	DR1242 BUTT DR1250 BUTT	DR1242 BUTT SD	DGI-1242 BUTT	3 4	S2424 SSK24
UT2724 X 96 4SSK BUTT	2 2	DR1342 BUTT DR1350 BUTT	DR1342 BUTT SD	DGI-1342 BUTT	3 4	S2724 SSK27
UT3024 X 96 4SSK BUTT	2 2	DR1542 BUTT DR1550 BUTT	DR1542 BUTT SD	DGI-1542 BUTT	3 4	S3024 SSK30
UT3324 X 96 4SSK BUTT	2 2	DR1642 BUTT DR1650 BUTT	DR1642 BUTT SD	DGI-1642 BUTT	3 4	S3324 SSK33
UT3624 X 96 4SSK BUTT	2 2	DR1842 BUTT DR1850 BUTT	DR1842 BUTT SD	DGI-1842 BUTT	3 4	S3624 SSK36

SKU	Qty	DOOR		SHELF / ACCESSORY		DRAWER FRONT		DRAWER BODY	
		Part Name	Qty	*Part Name	Qty	Partial Overlay		Part Name	
						Part Name	Part Name		
SINGLE OVEN CABINETS WITH 4 BUTT DOORS AND 1 DRAWER - 84" HIGH									
OVS2784 BUTT 1DWR	2	DR1318 BUTT	-	N/A	-	DDF27	DRB24 X 21DP SG		
	2	DR1324 BUTT							
OVS3084 BUTT 1DWR	2	DR1518 BUTT	-	N/A	-	DDF30	DRB27 X 21DP SG		
	2	DR1524 BUTT							
OVS3384 BUTT 1DWR	2	DR1618 BUTT	-	N/A	-	DDF33	DRB30 X 21DP SG		
	2	DR1624 BUTT							
SINGLE OVEN CABINETS WITH 4 BUTT DOORS AND 1 DRAWER - 90" HIGH									
OVS2790 AS BUTT 1DWR	4	DR1324 BUTT	1	S2724	1	DDF27	DRB24 X 21DP SG		
OVS3090 AS BUTT 1DWR	4	DR1524 BUTT	1	S3024	1	DDF30	DRB27 X 21DP SG		
OVS3390 AS BUTT 1DWR	4	DR1624 BUTT	1	S3324	1	DDF33	DRB30 X 21DP SG		
SINGLE OVEN CABINETS WITH 4 BUTT DOORS AND 1 DRAWER - 96" HIGH									
OVS2796 AS BUTT 1DWR	2	DR1330 BUTT	1	S2724	2	DDF27	DRB24 X 21DP SG		
	2	DR1324 BUTT							
OVS3096 AS BUTT 1DWR	2	DR1530 BUTT	1	S3024	2	DDF30	DRB27 X 21DP SG		
	2	DR1524 BUTT							
OVS3396 AS BUTT 1DWR	2	DR1630 BUTT	1	S3324	2	DDF33	DRB30 X 21DP SG		
	2	DR1624 BUTT							
SINGLE OVEN CABINETS WITH 4 BUTT DOORS AND 2 DRAWERS - 90" HIGH									
OVS2790 AS BUTT 2DWR	4	DR1324 BUTT	1	S2724	2	DDF27	DRB24 X 21DP SG		
OVS3090 AS BUTT 2DWR	4	DR1524 BUTT	1	S3024	2	DDF30	DRB27 X 21DP SG		
OVS3390 AS BUTT 2DWR	4	DR1624 BUTT	1	S3324	2	DDF33	DRB30 X 21DP SG		
SINGLE OVEN CABINETS WITH 4 BUTT DOORS AND 2 DRAWERS - 96" HIGH									
OVS2796 AS BUTT 2DWR	2	DR1330 BUTT	2	S2724	2	DDF27	DRB24 X 21DP SG		
	2	DR1324 BUTT							
OVS3096 AS BUTT 2DWR	2	DR1530 BUTT	2	S3024	2	DDF30	DRB27 X 21DP SG		
	2	DR1524 BUTT							
OVS3396 AS BUTT 2DWR	2	DR1630 BUTT	2	S3324	2	DDF33	DRB30 X 21DP SG		
	2	DR1624 BUTT							
SINGLE OVEN CABINETS WITH 2 BUTT DOORS 4 DRAWERS - 84" HIGH									
OVS2784 BUTT 4DWR	2	DR1318 BUTT	-	N/A	2	DDF27	DRB24 X 21DP SG		
					2	DDF27D	DRB24M X 21DP SG		
OVS3084 BUTT 4DWR	2	DR1518 BUTT	-	N/A	2	DDF30	DRB27 X 21DP SG		
					2	DDF30D	DRB27M X 21DP SG		
OVS3384 BUTT 4DWR	2	DR1618 BUTT	-	N/A	2	DDF33	DRB30 X 21DP SG		
					2	DDF33D	DRB30M X 21DP SG		
SINGLE OVEN CABINETS WITH 2 BUTT DOORS 4 DRAWERS - 90" HIGH									
OVS2790 AS BUTT 4DWR	2	DR1324 BUTT	1	S2724	2	DDF27	DRB24 X 21DP SG		
					2	DDF27D	DRB24M X 21DP SG		
OVS3090 AS BUTT 4DWR	2	DR1524 BUTT	1	S3024	2	DDF30	DRB27 X 21DP SG		
					2	DDF30D	DRB27M X 21DP SG		
OVS3390 AS BUTT 4DWR	2	DR1624 BUTT	1	S3324	2	DDF33	DRB30 X 21DP SG		
					2	DDF33D	DRB30M X 21DP SG		
SINGLE OVEN CABINETS WITH 2 BUTT DOORS 4 DRAWERS - 96" HIGH									
OVS2796 AS BUTT 4DWR	2	DR1330 BUTT	2	S2724	2	DDF27	DRB24 X 21DP SG		
					2	DDF27D	DRB24M X 21DP SG		
OVS3096 AS BUTT 4DWR	2	DR1530 BUTT	2	S3024	2	DDF30	DRB27 X 21DP SG		
					2	DDF30D	DRB27M X 21DP SG		
OVS3396 AS BUTT 4DWR	2	DR1630 BUTT	2	S3324	2	DDF33	DRB30 X 21DP SG		
					2	DDF33D	DRB30M X 21DP SG		

SKU	DOOR		ADJUSTABLE SHELF	
	Qty	Part Name	Qty	*Part Name
SINGLE OVEN CABINETS WITH 4 BUTT DOORS - 84" HIGH				
OVS2784 BUTT	2 2	DR1318 BUTT DR1324 BUTT	-	N/A
OVS3084 BUTT	2 2	DR1518 BUTT DR1524 BUTT	-	N/A
OVS3384 BUTT	2 2	DR1618 BUTT DR1624 BUTT	-	N/A
SINGLE OVEN CABINETS WITH 4 BUTT DOORS - 90" HIGH				
OVS2790 AS BUTT	4	DR1324 BUTT	1	S2724
OVS3090 AS BUTT	4	DR1524 BUTT	1	S3024
OVS3390 AS BUTT	4	DR1624 BUTT	1	S3324
SINGLE OVEN CABINETS WITH 4 BUTT DOORS - 96" HIGH				
OVS2796 AS BUTT	2 2	DR1330 BUTT DR1324 BUTT	2	S2724
OVS3096 AS BUTT	2 2	DR1530 BUTT DR1524 BUTT	2	S3024
OVS3396 AS BUTT	2 2	DR1630 BUTT DR1624 BUTT	2	S3324

SKU	Qty	DOOR		SHELF / ACCESSORY		DRAWER FRONT		DRAWER BODY	
		Part Name	Qty	Part Name	Qty	Partial Overlay		Part Name	
						Part Name	Part Name		
DOUBLE OVEN CABINETS WITH 2 BUTT DOORS, 1 DRAWER - 84" HIGH									
OVD2784 BUTT	2	DR1318 BUTT	-	N/A	1	DDF27	DRB24 X 21DP SG		
OVD3084 BUTT	2	DR1518 BUTT	-	N/A	1	DDF30	DRB27 X 21DP SG		
OVD3384 BUTT	2	DR1618 BUTT	-	N/A	1	DDF33	DRB30 X 21DP SG		
DOUBLE OVEN CABINETS WITH 2 BUTT DOORS, 1 DRAWER - 90" HIGH									
OVD2790 AS BUTT	2	DR1324 BUTT	1	S2724	1	DDF27	DRB24 X 21DP SG		
OVD3090 AS BUTT	2	DR1524 BUTT	1	S3024	1	DDF30	DRB27 X 21DP SG		
OVD3390 AS BUTT	2	DR1624 BUTT	1	S3324	1	DDF33	DRB30 X 21DP SG		
DOUBLE OVEN CABINETS WITH 2 BUTT DOORS, 1 DRAWER - 96" HIGH									
OVD2796 AS BUTT	2	DR1330 BUTT	2	S2724	1	DDF27	DRB24 X 21DP SG		
OVD3096 AS BUTT	2	DR1530 BUTT	2	S3024	1	DDF30	DRB27 X 21DP SG		
OVD3396 AS BUTT	2	DR1630 BUTT	2	S3324	1	DDF33	DRB30 X 21DP SG		
DOUBLE OVEN CABINETS WITH 2 BUTT DOORS AND 1 LARGE DRAWER - 84" HIGH									
OVD2784 BUTT 1DDWR	2	DR1318 BUTT	-	N/A	1	DDF27D	DRB24M X 21DP SG		
OVD3084 BUTT 1DDWR	2	DR1518 BUTT	-	N/A	1	DDF30D	DRB27M X 21DP SG		
OVD3384 BUTT 1DDWR	2	DR1618 BUTT	-	N/A	1	DDF33D	DRB30M X 21DP SG		
DOUBLE OVEN CABINETS WITH 2 BUTT DOORS AND 1 LARGE DRAWER - 90" HIGH									
OVD2790 AS BUTT 1DDWR	2	DR1324 BUTT	1	S2724	1	DDF27D	DRB24M X 21DP SG		
OVD3090 AS BUTT 1DDWR	2	DR1524 BUTT	1	S3024	1	DDF30D	DRB27M X 21DP SG		
OVD3390 AS BUTT 1DDWR	2	DR1624 BUTT	1	S3324	1	DDF33D	DRB30M X 21DP SG		
DOUBLE OVEN CABINETS WITH 2 BUTT DOORS AND 1 LARGE DRAWER - 96" HIGH									
OVD2796 AS BUTT 1DDWR	2	DR1330 BUTT	2	S2724	1	DDF27D	DRB24M X 21DP SG		
OVD3096 AS BUTT 1DDWR	2	DR1530 BUTT	2	S3024	1	DDF30D	DRB27M X 21DP SG		
OVD3396 AS BUTT 1DDWR	2	DR1630 BUTT	2	S3324	1	DDF33D	DRB30M X 21DP SG		
DOUBLE OVEN CABINETS WITH 2 BUTT DOORS AND 2 DRAWERS - 84" HIGH									
OVD2784 BUTT 2DWR	2	DR1318 BUTT	-	N/A	2	DDF27	DRB24 X 21DP SG		
OVD3084 BUTT 2DWR	2	DR1518 BUTT	-	N/A	2	DDF30	DRB27 X 21DP SG		
OVD3384 BUTT 2DWR	2	DR1618 BUTT	-	N/A	2	DDF33	DRB30 X 21DP SG		
DOUBLE OVEN CABINETS WITH 2 BUTT DOORS AND 2 DRAWERS - 90" HIGH									
OVD2790 AS BUTT 2DWR	2	DR1324 BUTT	1	S2724	2	DDF27	DRB24 X 21DP SG		
OVD3090 AS BUTT 2DWR	2	DR1524 BUTT	1	S3024	2	DDF30	DRB27 X 21DP SG		
OVD3390 AS BUTT 2DWR	2	DR1624 BUTT	1	S3324	2	DDF33	DRB30 X 21DP SG		
DOUBLE OVEN CABINETS WITH 2 BUTT DOORS AND 2 DRAWERS - 96" HIGH									
OVD2796 AS BUTT 2DWR	2	DR1330 BUTT	2	S2724	2	DDF27	DRB24 X 21DP SG		
OVD3096 AS BUTT 2DWR	2	DR1530 BUTT	2	S3024	2	DDF30	DRB27 X 21DP SG		
OVD3396 AS BUTT 2DWR	2	DR1630 BUTT	2	S3324	2	DDF33	DRB30 X 21DP SG		
OVEN MICROWAVE CABINET - 96" HIGH									
OMC3396 AS OS BUTT	2	DR1624 BUTT	1	S3324	1	DDF33	DRB30 X 21DP SG		

SKU	Qty	DOOR		DRAWER FRONT/PANEL		DRAWER BODY	
		Part Name	Qty	Partial Overlay		Qty	Part Name
				Part Name	Qty		
VANITY BASE - 31 1/8" HIGH							
VB12	1	DR1221V	1	DDF12	1	DRB12 X 18DP SG	
VB15	1	DR1521V	1	DDF15	1	DRB15 X 18DP SG	
VB18	1	DR1821V	1	DDF18	1	DRB18 X 18DP SG	
VB21	1	DR2121V	1	DDF21	1	DRB21 X 18DP SG	
VB24 BUTT	2	DR1221V BUTT	1	DDF24	1	DRB24 X 18DP SG	
VB27 BUTT	2	DR1321V BUTT	1	DDF27	1	DRB27 X 18DP SG	
VB30 BUTT	2	DR1521V BUTT	1	DDF30	1	DRB30 X 18DP SG	
VB33 BUTT	2	DR1621V BUTT	1	DDF33	1	DRB33 X 18DP SG	
VB36 BUTT	2	DR1821V BUTT	1	DDF36	1	DRB36 X 18DP SG	
VANITY SINK BASE WITH TOP DRAWERS - 31 1/8" HIGH							
VAN36 BUTT	2	DR1821V BUTT	3	DDF12	2	DRB10 X 18DP SG	
VAN39	2	DR1921V	2 1	DDF12 DDF15	2	DRB12 X 18DP SG	
VAN42	2	DR2121V	2 1	DDF12 DDF18	2	DRB12 X 18DP SG	
VAN48	2 1	DR1521V DR1821V	2 1	DDF15 DDF18	2	DRB15 X 18DP SG	
VAN54 BK BUTT	2 2	DR1221V DR1521V BUTT	2 1	DDF12 DDF30	2	DRB12 X 18DP SG	
VAN60 BK BUTT	2 2	DR1521V DR1521V BUTT	2 1	DDF15 DDF30	2	DRB15 X 18DP SG	
VANITY COMBO SINK BASE - 18" DEEP X 31 1/8" HIGH							
VSDB2418 BK	1	DR1221V	1 1 1	DDF12 DDF12D DDF24	1 1	DRB12 X 15DP SG DRB12M X 15DP SG	
VSDB2718 BK	1	DR1521V	1 1 1	DDF12 DDF12D DDF27	1 1	DRB12 X 15DP SG DRB12M X 15DP SG	
VSDB3018 BK	1	DR1821V	1 1 1	DDF12 DDF12D DDF30	1 1	DRB12 X 15DP SG DRB12M X 15DP SG	
VSDB3318 BK	1	DR2121V	1 1 1	DDF12 DDF12D DDF33	1 1	DRB12 X 15DP SG DRB12M X 15DP SG	
VSDB3618 BK	1	DR2121V	1 1 1	DDF15 DDF15D DDF36	1 1	DRB15 X 15DP SG DRB15M X 15DP SG	

SKU	Qty	DOOR	Qty	DRAWER FRONT/PANEL	Qty	DRAWER BODY
		Part Name		Partial Overlay		Part Name
				Part Name		
VANITY COMBO SINK BASE - 31 1/8" HIGH						
VSDB24 BK	1	DR1221V	1	DDF12	1	DRB12 X 18DP SG
			1	DDF12D	1	DRB12M X 18DP SG
			1	DDF24		
VSDB27 BK	1	DR1521V	1	DDF12	1	DRB12 X 18DP SG
			1	DDF12D	1	DRB12M X 18DP SG
			1	DDF27		
VSDB30 BK	1	DR1821V	1	DDF12	1	DRB12 X 18DP SG
			1	DDF12D	1	DRB12M X 18DP SG
			1	DDF30		
VSDB33 BK	1	DR2121V	1	DDF12	1	DRB12 X 18DP SG
			1	DDF12D	1	DRB12M X 18DP SG
			1	DDF33		
VSDB36 BK	1	DR2121V	1	DDF15	1	DRB15 X 18DP SG
			1	DDF15D	1	DRB15M X 18DP SG
			1	DDF36		
VSDB42 BK BUTT	2	DR1521V BUTT	1	DDF30	2	DRB12 X 18DP SG
			2	DDF12	1	DRB12M X 18DP SG
			1	DDF12D		
VSDB48D BK BUTT	2	DR1221V BUTT	1	DDF24	4	DRB12 X 18DP SG
			4	DDF12	2	DRB12M X 18DP SG
			2	DDF12D		
VSDB54D BK BUTT	2	DR1221V BUTT	1	DDF24	4	DRB15 X 18DP SG
			4	DDF15	2	DRB15M X 18DP SG
			2	DDF15D		
VSDB60C BK BUTT	4	DR1221V BUTT	2	DDF24	2	DRB12 X 18DP SG
			2	DDF12	1	DRB12M X 18DP SG
			1	DDF12D		
VSDB60D BK BUTT	2	DR1521V BUTT	1	DDF30	4	DRB15 X 18DP SG
			4	DDF15	2	DRB15M X 18DP SG
			2	DDF15D		
VANITY BASE - 34 1/2" HIGH						
VB1234H	1	DR1224	1	DDF12	1	DRB12 X 18DP SG
VB1534H	1	DR1524	1	DDF15	1	DRB15 X 18DP SG
VB1834H	1	DR1824	1	DDF18	1	DRB18 X 18DP SG
VB2134H	1	DR2124	1	DDF21	1	DRB21 X 18DP SG
VB2434H BUTT	2	DR1224 BUTT	1	DDF24	1	DRB24 X 18DP SG
VB2734H BUTT	2	DR1324 BUTT	1	DDF27	1	DRB27 X 18DP SG
VB3034H BUTT	2	DR1524 BUTT	1	DDF30	1	DRB30 X 18DP SG
VB3334H BUTT	2	DR1624 BUTT	1	DDF33	1	DRB33 X 18DP SG
VB3634H BUTT	2	DR1824 BUTT	1	DDF36	1	DRB36 X 18DP SG
VANITY SINK BASE WITH TOP DRAWERS - 34 1/2" HIGH						
VAN3634H BUTT	2	DR1824 BUTT	3	DDF12	2	DRB10 X 18DP SG
VAN4234H	2	DR2124	2	DDF12	2	DRB12 X 18DP SG
			1	DDF18		
VAN3934H	2	DR1924	2	DDF12	2	DRB12 X 18DP SG
			1	DDF15		
VAN4834H	2	DR1524	2	DDF15	2	DRB15 X 18DP SG
	1	DR1824	1	DDF18		
VAN5434H BK BUTT	2	DR1224	2	DDF12	2	DRB12 X 18DP SG
	2	DR1524 BUTT	1	DDF30		
VAN6034H BK BUTT	2	DR1524	2	DDF15	2	DRB15 X 18DP SG
	2	DR1524 BUTT	1	DDF30		

SKU	Qty	DOOR		DRAWER FRONT/PANEL		DRAWER BODY	
		Part Name	Qty	Partial Overlay		Part Name	Qty
				Part Name	Qty		
VANITY COMBO SINK BASE - 18" DEEP X 34 1/2" HIGH							
VSDB241834H BK	1	DR1224	2	DDF12D	2	DRB12M X 15DP SG	
			1	DDF24			
VSDB271834H BK	1	DR1524	2	DDF12D	2	DRB12M X 15DP SG	
			1	DDF27			
VSDB301834H BK	1	DR1824	2	DDF12D	2	DRB12M X 15DP SG	
			1	DDF30			
VSDB331834H BK	1	DR2124	2	DDF12D	2	DRB12M X 15DP SG	
			1	DDF33			
VSDB361834H BK	1	DR2124	2	DDF15D	2	DRB15M X 15DP SG	
			1	DDF36			
VANITY COMBO SINK BASE - 34 1/2" HIGH							
VSDB2434H BK	1	DR1224	2	DDF12D	2	DRB12M X 18DP SG	
			1	DDF24			
VSDB2734H BK	1	DR1524	2	DDF12D	2	DRB12M X 18DP SG	
			1	DDF27			
VSDB3034H BK	1	DR1824	2	DDF12D	2	DRB12M X 18DP SG	
			1	DDF30			
VSDB3334H BK	1	DR2124	2	DDF12D	2	DRB12M X 18DP SG	
			1	DDF33			
VSDB3634H BK	1	DR2124	2	DDF15D	2	DRB15M X 18DP SG	
			1	DDF36			
VSDB3934H BK	1	DR2124	1	DDF21	2	DRB18M X 18DP SG	
			1	DDF18			
			2	DDF18D			
VSDB4234H BK BUTT	2	DR1524 BUTT	1	DDF30	1	DRB12 X 18DP SG	
			1	DDF12	2	DRB12M X 18DP SG	
			2	DDF12D			
VSDB4834HD BK BUTT	2	DR1224 BUTT	1	DDF24	2	DRB12 X 18DP SG	
			2	DDF12	4	DRB12M X 18DP SG	
			4	DDF12D			
VSDB5434HD BK BUTT	2	DR1224 BUTT	1	DDF24	2	DRB15 X 18DP SG	
			2	DDF15	4	DRB15M X 18DP SG	
			4	DDF15D			
VSDB6034HC BK BUTT	4	DR1224 BUTT	2	DDF24	1	DRB12 X 18DP SG	
			1	DDF12	2	DRB12M X 18DP SG	
			2	DDF12D			
VSDB6034HD BK BUTT	2	DR1524 BUTT	1	DDF30	2	DRB15 X 18DP SG	
			2	DDF15	4	DRB15M X 18DP SG	
			4	DDF15D			

SKU	Qty	DOOR	SPECIALTY DOOR	GLASS INSERT	Qty	ADJUSTABLE SHELF		
		*For Matching Interior Adjustable Shelf, refer to Parts Directory legend						
		Part Name	Part Name	Part Name		*Part Name		
VANITY LINEN WITH ADJUSTABLE SHELVES								
VLC122184 AS	1 1	DR1230 DR1250	DR1230 SD	DGI-1230	5	S1221		
VLC152184 AS	1 1	DR1530 DR1550	DR1530 SD	DGI-1530	5	S1521		
VLC182184 AS	1 1	DR1830 DR1850	DR1830 SD	DGI-1830	5	S1821		
VLC242184 AS BUTT	2 2	DR1230 BUTT DR1250 BUTT	DR1230 BUTT SD	DGI-1230 BUTT	5	S2421		
VANITY LINEN WITH SLIDING SHELVES								
VLC122184 4SSK	1 1	DR1230 DR1250	DR1230 SD	DGI-1230	1 4	S1221 SSK1221		
VLC152184 4SSK	1 1	DR1530 DR1550	DR1530 SD	DGI-1530	1 4	S1521 SSK1521		
VLC182184 4SSK	1 1	DR1830 DR1850	DR1830 SD	DGI-1830	1 4	S1821 SSK1821		
VLC242184 4SSK BUTT	2 2	DR1230 BUTT DR1250 BUTT	DR1230 BUTT SD	DGI-1230 BUTT	1 4	S2421 SSK2421		
MEDICINE CABINET								
MC1530	1	DR1530	N/A	N/A	2	MC SHELF		
MCM1530	1	DRMCM1530	N/A	N/A	2	MC SHELF		
TRI-VIEW MIRROR								
TV3030	3	MIRROR TV3030	N/A	N/A	3 6	TV30 SHELF 9 TV30 SHELF 18		
TV3630	3	MIRROR TV3630	N/A	N/A	3 6	TV36 SHELF 11 TV36 SHELF 22		
VALET CABINET								
VC2436 BUTT	2	DR1224 BUTT	N/A	N/A	-	N/A		

SKU	Qty	DOORS	
		Partial Overlay	
		Part Name	
VANITY FULL HEIGHT BASE - 34 1/2" HIGH			
VB1234H FH	1	DR1230	
VB1534H FH	1	DR1530	
VB1834H FH	1	DR1830	
VB2434H BUTT FH	2	DR1230 BUTT	
VB3034H BUTT FH	2	DR1530 BUTT	
VB3634H BUTT FH	2	DR1830 BUTT	

SKU	Qty	DOOR	Qty	DRAWER FRONT/PANEL
		Part Name		Part Name
VANITY SINK BASE - 31 1/8" HIGH				
VSB15	1	DR1521V	1	DDF15
VSB18	1	DR1821V	1	DDF18
VSB21	1	DR2121V	1	DDF21
VSB24 BUTT	2	DR1221V BUTT	1	DDF24
VSB27 BUTT	2	DR1321V BUTT	1	DDF27
VSB30 BUTT	2	DR1521V BUTT	1	DDF30
VSB33 BUTT	2	DR1621V BUTT	1	DDF33
VSB36 BUTT	2	DR1821V BUTT	1	DDF36
VSB39	2	DR1921V	2	DDF19
VSB42	2	DR2121V	2	DDF21
VSB48	2 1	DR1521V DR1821V	2 1	DDF15 DDF18
VSB54 BUTT	4	DR1321V BUTT	2	DDF27
VSB60 BUTT	4	DR1521V BUTT	2	DDF30
VANITY SINK BASE - 18" DEEP X 31 1/8" HIGH				
VSB2418 BUTT	2	DR1221V BUTT	1	DDF24
VSB3018 BUTT	2	DR1521V BUTT	1	DDF30
VSB3618 BUTT	2	DR1821V BUTT	1	DDF36
VANITY SINK BASE - 34 1/2" HIGH				
VSB1534H	1	DR1524	1	DDF15
VSB1834H	1	DR1824	1	DDF18
VSB2134H	1	DR2124	1	DDF21
VSB2434H BUTT	2	DR1224 BUTT	1	DDF24
VSB2734H BUTT	2	DR1324 BUTT	1	DDF27
VSB3034H BUTT	2	DR1524 BUTT	1	DDF30
VSB3334H BUTT	2	DR1624 BUTT	1	DDF33
VSB3634H BUTT	2	DR1824 BUTT	1	DDF36
VSB3934H	2	DR1924	2	DDF19
VSB4234H	2	DR2124	2	DDF21
VSB4834H	2 1	DR1524 DR1824	2 1	DDF15 DDF18
VSB5434H BUTT	4	DR1324 BUTT	2	DDF27
VSB6034H BUTT	4	DR1524 BUTT	2	DDF30
VANITY SINK BASE - 18" DEEP X 34 1/2" HIGH				
VSB243418H BUTT	2	DR1224 BUTT	1	DDF24
VSB303418H BUTT	2	DR1524 BUTT	1	DDF30
VSB363418H BUTT	2	DR1824 BUTT	1	DDF36
VANITY SINK FRONT				
VSF21	1	DR2121V	1	DDF21
VSF24 BUTT	2	DR1221V BUTT	1	DDF24
VSF30 BUTT	2	DR1521V BUTT	1	DDF30
VSF36 BUTT	2	DR1821V BUTT	1	DDF36
VSF39	2	DR1921V	2	DDF19
VSF42	2	DR2121V	2	DDF21
VSF48	2 1	DR1521V DR1821V	2 1	DDF15 DDF18

SKU	Qty	DRAWER FRONT		DRAWER BODY
		Partial Overlay		Part Name
		Part Name		
VANITY DRAWER BASE - 31 1/8" HIGH				
VDB12	2 1	DDF12 DDF12D	DRB12 X 18DP SG DRB12M X 18DP SG	
VDB15	2 1	DDF15 DDF15D	DRB15 X 18DP SG DRB15M X 18DP SG	
VDB18	2 1	DDF18 DDF18D	DRB18 X 18DP SG DRB18M X 18DP SG	
VDB21	2 1	DDF21 DDF21D	DRB21 X 18DP SG DRB21M X 18DP SG	
VDB24	2 1	DDF24 DDF24D	DRB24 X 18DP SG DRB24M X 18DP SG	
VANITY DRAWER BASE - 34 1/2" HIGH				
VDB1234H	1 2	DDF12 DDF12D	DRB12 X 18DP SG DRB12M X 18DP SG	
VDB1534H	1 2	DDF15 DDF15D	DRB15 X 18DP SG DRB15M X 18DP SG	
VDB1834H	1 2	DDF18 DDF18D	DRB18 X 18DP SG DRB18M X 18DP SG	
VDB2134H	1 2	DDF21 DDF21D	DRB21 X 18DP SG DRB21M X 18DP SG	
VDB2434H	1 2	DDF24 DDF24D	DRB24 X 18DP SG DRB24M X 18DP SG	

SKU	Qty	DOOR		SHELF		DRAWER FRONT		DRAWER BODY	
		Part Name	Qty	Part Name	Qty	Part Name	Part Name		
DESK DOOR - 21" DEEP									
DDO1221	1	DR1218	1	12" SHELF 21DP 3/4	1	DDF12	DRB12 X 18DP SG		
DDO1521	1	DR1518	1	15" SHELF 21DP 3/4	1	DDF15	DRB15 X 18DP SG		
DDO1821	1	DR1818	1	18" SHELF 21DP 3/4	1	DDF18	DRB18 X 18DP SG		
DDO2121	1	DR2118	1	21" SHELF 21DP 3/4	1	DDF21	DRB21 X 18DP SG		
DDO2421 BUTT	2	DR1218 BUTT	1	24" SHELF 21DP 3/4	1	DDF24	DRB24 X 18DP SG		
DESK DOOR - 24" DEEP									
DDO1224	1	DR1218	1	12" SHELF 24DP 3/4	1	DDF12	DRB12 X 21DP SG		
DDO1524	1	DR1518	1	15" SHELF 24DP 3/4	1	DDF15	DRB15 X 21DP SG		
DDO1824	1	DR1818	1	18" SHELF 24DP 3/4	1	DDF18	DRB18 X 21DP SG		
DDO2124	1	DR2118	1	21" SHELF 24DP 3/4	1	DDF21	DRB21 X 21DP SG		
DDO2424 BUTT	2	DR1218 BUTT	1	24" SHELF 24DP 3/4	1	DDF24	DRB24 X 21DP SG		

SKU	Qty	DRAWER FRONT		DRAWER BODY
		Partial Overlay		Part Name
		Part Name		
KNEEHOLE DRAWER CABINET				
KDC27/21	1	DDFKDC27/21		DRBKDC27X 15DP DT SG
KDC33/27	1	DDFKDC33/27		DRBKDC33X 15DP DT SG
KDC36/33	1	DDFKDC36/33		DRBKDC36X 15DP DT SG
DESK DRAWER BASE - 21" DEEP				
DDR1221	2	DDF12		DRB12 X 18DP SG DRB12M X 18DP SG
	1	DDF12D		
DDR1521	2	DDF15		DRB15 X 18DP SG DRB15M X 18DP SG
	1	DDF15D		
DDR1821	2	DDF18		DRB18 X 18DP SG DRB18M X 18DP SG
	1	DDF18D		
DDR2121	2	DDF21		DRB21 X 18DP SG DRB21M X 18DP SG
	1	DDF21D		
DDR2421	2	DDF24		DRB24 X 18DP SG DRB24M X 18DP SG
	1	DDF24D		
DESK DRAWER BASE - 24" DEEP				
DDR1224	2	DDF12		DRB12 X 21DP SG DRB12M X 21DP SG
	1	DDF12D		
DDR1524	2	DDF15		DRB15 X 21DP SG DRB15M X 21DP SG
	1	DDF15D		
DDR1824	2	DDF18		DRB18 X 21DP SG DRB18M X 21DP SG
	1	DDF18D		
DDR2124	2	DDF21		DRB21 X 21DP SG DRB21M X 21DP SG
	1	DDF21D		
DDR2424	2	DDF24		DRB24 X 21DP SG DRB24M X 21DP SG
	1	DDF24D		
DESK FILE PULL OUT CABINET				
DFDC1821	1	DDF18		DRB18 X 18DP DT FD DFDC FILE UNIT 21
	1	DR1818		
DFDC1824	1	DDF18		DRB18 X 21DP DT FD DFDC FILE UNIT 24
	1	DR1818		
FULL-HEIGHT DESK WITH BOTTOM MOUNT WASTEBASKET(S)				
DWBB1824	1	DR1824 ND		DWBB1824 SOL KIT

DOORS

Specialty Doors, Solid Doors & ND Doors
are the same dimension

Part Name	Partial Overlay
50" High	
DR1250	9 7/8" x 47 3/4"
DR1250 BUTT	10 15/16" x 47 3/4"
DR1350 BUTT	12 7/16" x 47 3/4"
DR1550	12 7/8" x 47 3/4"
DR1550 BUTT	13 15/16" x 47 3/4"
DR1650 BUTT	15 7/16" x 47 3/4"
DR1850	15 7/8" x 47 3/4"
DR1850 BUTT	16 15/16" x 47 3/4"
DR2150	18 7/8" x 47 3/4"
42" High	
DR942	6 7/8" x 40"
DR1242	9 7/8" x 40"
DR1242 BUTT	10 15/16" x 40"
DR1242 WER DRILL	10" x 40"
DR1242 WER ND	10" x 40"
DR1342 BUTT	12 7/16" x 40"
DR1542	12 7/8" x 40"
DR1542 BUTT	13 15/16" x 40"
DR1642 BUTT	15 7/16" x 40"
DR1842	15 7/8" x 40"
DR1842 BUTT	16 15/16" x 40"
DR1942	17 3/8" x 40"
DR2142	18 7/8" x 40"
36" High	
DR936	6 7/8" x 34"
DR1236	9 7/8" x 34"
DR1236 BUTT	10 15/16" x 34"
DR1236 WER DRILL	10" x 34"
DR1236 WER ND	10" x 34"
DR1336 BUTT	12 7/16" x 34"
DR1536	12 7/8" x 34"
DR1536 BUTT	13 15/16" x 34"
DR1636 BUTT	15 7/16" x 34"
DR1836	15 7/8" x 34"
DR1836 BUTT	16 15/16" x 34"
DR1936	17 3/8" x 34"
DR2136	18 7/8" x 34"

DOORS

Specialty Doors, Solid Doors & ND Doors
are the same dimension

Part Name	Partial Overlay
30" High	
DR930	6 7/8" x 28"
DR930 BER DRILL	7" x 28"
DR930 BER ND	7" x 28"
DR1230	9 7/8" x 28"
DR1230 BUTT	10 15/16" x 28"
DR1230 BER DRILL	10" x 28"
DR1230 BER ND	10" x 28"
DR1230 WER DRILL	10" x 28"
DR1230 WER ND	10" x 28"
DR1330 BUTT	12 7/16" x 28"
DR1530	12 7/8" x 28"
DR1530 BUTT	13 15/16" x 28"
DR1630 BUTT	15 7/16" x 28"
DR1830	15 7/8" x 28"
DR1830 BUTT	16 15/16" x 28"
DR1930	17 3/8" x 28"
DR2130	18 7/8" x 28"
DR2430	21 7/8" x 28"
27" High	
DR1327 BUTT	12 7/16" x 25"
DR1527 BUTT	13 15/16" x 25"
DR1627 BUTT	15 7/16" x 25"
24" High	
DR1224	9 7/8" x 22 3/8"
DR1224 BUTT	10 15/16" x 22 3/8"
DR1324 BUTT	12 7/16" x 22 3/8"
DR1524	12 7/8" x 22 3/8"
DR1524 BUTT	13 15/16" x 22 3/8"
DR1624 BUTT	15 7/16" x 22 3/8"
DR1824	15 7/8" x 22 3/8"
DR1824 BUTT	16 15/16" x 22 3/8"
DR18.524 BUTT	17 7/16" x 22 3/8"
DR1924	17 3/8" x 22 3/8"
DR2124	18 7/8" x 22 3/8"
DR2424	21 7/8" x 22 3/8"
21" High	
DR1221V	9 7/8" x 18 1/2"
DR1221V BUTT	10 15/16" x 18 1/2"
DR1321V BUTT	12 7/16" x 18 1/2"
DR1521 BUTT	13 15/16" x 18 1/2"
DR1521V	12 7/8" x 18 1/2"
DR1521V BUTT	13 15/16" x 18 1/2"
DR1621 BUTT	15 7/16" x 18 1/2"
DR1621V BUTT	15 7/16" x 18 1/2"
DR1821 BUTT	16 15/16" x 18 1/2"
DR1821V	15 7/8" x 18 1/2"
DR1821V BUTT	16 15/16" x 18 1/2"
DR18.521 BUTT	17 7/16" x 18 1/2"
DR1921	17 3/8" x 18 1/2"
DR1921V	17 3/8" x 18 1/2"
DR2121V	18 7/8" x 18 1/2"

DOORS	
Specialty Doors, Solid Doors & ND Doors are the same dimension	
Part Name	Partial Overlay
18" High	
DR1218	9 7/8" x 16"
DR1218 BUTT	10 15/16" x 16"
DR1318 BUTT	12 7/16" x 16"
DR1518	12 7/8" x 16"
DR1518 BUTT	13 15/16" x 16"
DR1618 BUTT	15 7/16" x 16"
DR1818	15 7/8" x 16"
DR1818 BUTT	16 15/16" x 16"
DR18.518 BUTT	17 7/16" x 16"
DR1918	17 3/8" x 16"
DR2118	18 7/8" x 16"
DR3018 WTH	28" x 15 7/8"
DR3618 WTH	34" x 15 7/8"
15" High	
DR1215	9 7/8" x 13"
DR1215 BUTT	10 15/16" x 13"
DR1315 BUTT	12 7/16" x 13"
DR1515	12 7/8" x 13"
DR1515 BUTT	13 15/16" x 13"
DR1615 BUTT	15 7/16" x 13"
DR1815	15 7/8" x 13"
DR1815 BUTT	16 15/16" x 13"
DR18.515 BUTT	17 7/16" x 13"
DR1915	17 3/8" x 13"
DR2115	18 7/8" x 13"
DR3015 WTH	28" x 12 7/8"
DR3615 WTH	34" x 12 7/8"
12" High	
DR1212	9 7/8" x 10"
DR1212 BUTT	10 15/16" x 10"
DR1312 BUTT	12 7/16" x 10"
DR1512	12 7/8" x 10"
DR1512 BUTT	13 15/16" x 10"
DR1612 BUTT	15 7/16" x 10"
DR1812	15 7/8" x 10"
DR1812 BUTT	16 15/16" x 10"
DR18.512 BUTT	17 7/16" x 10"
DR1912	17 3/8" x 10"
DR2112	18 7/8" x 10"
DR4212 WTH	40" x 9 7/8"
DR4212 WTH	40" x 9 7/8"
Miscellaneous Doors	
DRMCM1530	12 7/8" x 28"
MIRROR TV3030	8 13/16" x 26 1/2"
MIRROR TV3630	10 13/16" x 26 1/2"

DOORS	
Specialty Doors, Solid Doors & ND Doors are the same dimension	
Part Name	Partial Overlay
Decorator Doors	
DMDB	21 7/8" x 28"
DMDBEA12	9 7/8" x 28"
DMDD21	18 7/8" x 22 3/8"
DMDD24	21 7/8" x 22 3/8"
DMDW18	9 7/8" x 16"
DMDW24	9 7/8" x 22 3/8"
DMDW30	9 7/8" x 28"
DMDW36	9 7/8" x 34"
DMDW42	9 7/8" x 40"
DMDV	18 7/8" x 17 7/8" 18 7/8" x 5 1/8"
DMDT8412	9 7/8" x 28" 9 7/8" x 47 3/4"
DMDT8424	9 7/8" x 28" 9 7/8" x 47 3/4"
DMDT9012	9 7/8" x 34" 9 7/8" x 47 3/4"
DMDT9024	9 7/8" x 34" 9 7/8" x 47 3/4"
DMDT9612	9 7/8" x 40" 9 7/8" x 47 3/4"
DMDT9624	9 7/8" x 40" 9 7/8" x 47 3/4"

SHELVES

Part Name	Dimensions
3/4" Shelves	
9" SHELF 3/4	7 1/4" x 10 1/4" x 3/4"
12" SHELF 3/4	10 1/4" x 10 1/4" x 3/4"
15" SHELF 3/4	13 1/4" x 10 1/4" x 3/4"
18" SHELF 3/4	16 1/4" x 10 1/4" x 3/4"
21" SHELF 3/4	19 1/4" x 10 1/4" x 3/4"
24" SHELF 3/4	22 1/4" x 10 1/4" x 3/4"
27" SHELF 3/4	25 1/4" x 10 1/4" x 3/4"
30" SHELF 3/4	28 1/4" x 10 1/4" x 3/4"
33" SHELF 3/4	31 1/4" x 10 1/4" x 3/4"
36" SHELF 3/4	34 1/4" x 10 1/4" x 3/4"
39" SHELF 3/4	37 1/4" x 10 1/4" x 3/4"
42" SHELF 3/4	40 1/4" x 10 1/4" x 3/4"
45" SHELF 3/4	43 1/4" x 10 1/4" x 3/4"
48" SHELF 3/4	46 1/4" x 10 1/4" x 3/4"
12" SHELF PB 3/4	10 3/16" x 22 1/8" x 3/4"
18" SHELF PB 3/4	16 3/16" x 22 1/8" x 3/4"
24" SHELF PB 3/4	22 3/16" x 22 1/8" x 3/4"
24" SHELF PB 3/4	22 3/16" x 22 1/8" x 3/4"
30" SHELF PB 3/4	28 3/16" x 22 1/8" x 3/4"
36" SHELF PB 3/4	34 3/16" x 22 1/8" x 3/4"
42" SHELF PB 3/4	40 3/16" x 22 1/8" x 3/4"
S1212	10 1/4" x 10 1/4" x 3/4"
S1512	13 1/4" x 10 1/4" x 3/4"
S1812	16 1/4" x 10 1/4" x 3/4"
S2112	19 1/4" x 10 1/4" x 3/4"
S2412	22 1/4" x 10 1/4" x 3/4"
S3612	34 1/4" x 10 1/4" x 3/4"
S1221	10 3/16" x 18 7/8" x 3/4"
S1521	13 3/16" x 18 7/8" x 3/4"
S1821	16 3/16" x 18 7/8" x 3/4"
S2421	22 3/16" x 18 7/8" x 3/4"
S924	7 3/16" x 22 1/8" x 3/4"
S1224	10 3/16" x 22 1/8" x 3/4"
S1524	13 3/16" x 22 1/8" x 3/4"
S1824	16 3/16" x 22 1/8" x 3/4"
S2124	19 3/16" x 22 1/8" x 3/4"
S2424	22 3/16" x 22 1/8" x 3/4"
S2724	25 3/16" x 22 1/8" x 3/4"
S3024	28 3/16" x 22 1/8" x 3/4"
S3324	31 3/16" x 22 1/8" x 3/4"
S3624	34 3/16" x 22 1/8" x 3/4"
Miscellaneous Shelves	
BS18 SHELF _PK	16 1/4" x 10 1/4" x 23/32"
BS24 SHELF _PK	22 1/4" x 10 1/4" x 23/32"
BS30 SHELF _PK	28 1/4" x 10 1/4" x 23/32"
BS36 SHELF _PK	34 1/4" x 10 1/4" x 23/32"
TV30 SHELF 9	8 7/8" x 3" x 1/2"
TV30 SHELF 18	17 9/32" x 3" x 1/2"
TV36 SHELF 11	10 7/8" x 3" x 1/2"
TV36 SHELF 22	21 9/32" x 3" x 1/2"
WMSC2718 TOP SHELF	25 1/4" x 16 1/4" x 3/4"

SLIDING ACCESSORIES

Part Name	Dimensions
Sliding Shelves	
SSK12	8 1/2" x 21 3/16" x 2"
SSK15	11 1/2" x 21 3/16" x 2"
SSK18	14 1/2" x 21 3/16" x 2"
SSK19	16" x 21 3/16" x 2"
SSK21	17 1/2" x 21 3/16" x 2"
SSK24	20 1/2" x 21 3/16" x 2"
SSK27	23 1/2" x 21 3/16" x 2"
SSK30	26 1/2" x 21 3/16" x 2"
SSK33	29 1/2" x 21 3/16" x 2"
SSK36	32 1/2" x 21 3/16" x 2"
SSK1221	8 1/2" x 18 3/16" x 2"
SSK1521	11 1/2" x 18 3/16" x 2"
SSK1821	14 1/2" x 18 3/16" x 2"
SSK2421	20 1/2" x 18 3/16" x 2"

DRAWER FRONTS

Part Name	Partial Overlay
Standard Drawer Front	
DDF12	9 7/8" x 5 1/8"
DDF15	12 7/8" x 5 1/8"
DDF18	15 7/8" x 5 1/8"
DDF19	17 3/8" x 5 1/8"
DDF21	18 7/8" x 5 1/8"
DDF24	21 7/8" x 5 1/8"
DDF27	24 7/8" x 5 1/8"
DDF30	27 7/8" x 5 1/8"
DDF33	30 7/8" x 5 1/8"
DDF36	33 7/8" x 5 1/8"
DDF18 DRILL	15 7/8" x 5 1/8"
DDF19 DRILL	17 3/8" x 5 1/8"
DDF21 DRILL	18 7/8" x 5 1/8"
DDF24 DRILL	21 7/8" x 5 1/8"
DDF27 DRILL	24 7/8" x 5 1/8"
DDF30 DRILL	27 7/8" x 5 1/8"
DDF33 DRILL	30 7/8" x 5 1/8"
DDF36 DRILL	33 7/8" x 5 1/8"
Large Drawer Front	
DDF12D	9 7/8" x 10 13/16"
DDF15D	12 7/8" x 10 13/16"
DDF18D	15 7/8" x 10 13/16"
DDF21D	18 7/8" x 10 13/16"
DDF24D	21 7/8" x 10 13/16"
DDF27D	24 7/8" x 10 13/16"
DDF30D	27 7/8" x 10 13/16"
DDF33D	30 7/8" x 10 13/16"
DDF36D	33 7/8" x 10 13/16"
Miscellaneous Drawer Front	
DDFKDC27/21	18 7/8" x 3 3/4"
DDFKDC33/27	24 7/8" x 3 3/4"
DDFKDC36/33	30 7/8" x 3 3/4"
DDF SDC	5 11/16" x 5 1/2" x 1/2"

DRAWER BODIES	
Part Name	Dimensions
Standard "SG" Drawer Bodies	
21" Deep	
DRB12 X 21DP SG	8 1/16" x 3 1/2" x 21"
DRB15 X 21DP SG	11 1/16" x 3 1/2" x 21"
DRB18 X 21DP SG	14 1/16" x 3 1/2" x 21"
DRB19 X 21DP SG	15 9/16" x 3 1/2" x 21"
DRB21 X 21DP SG	17 1/16" x 3 1/2" x 21"
DRB24 X 21DP SG	20 1/16" x 3 1/2" x 21"
DRB27 X 21DP SG	23 1/16" x 3 1/2" x 21"
DRB30 X 21DP SG	26 1/16" x 3 1/2" x 21"
DRB33 X 21DP SG	29 1/16" x 3 1/2" x 21"
DRB36 X 21DP SG	32 1/16" x 3 1/2" x 21"
18" Deep	
DRB12 X 18DP SG	8 1/16" x 3 1/2" x 18"
DRB15 X 18DP SG	11 1/16" x 3 1/2" x 18"
DRB18 X 18DP SG	14 1/16" x 3 1/2" x 18"
DRB19 X 18DP SG	15 9/16" x 3 1/2" x 18"
DRB21 X 18DP SG	17 1/16" x 3 1/2" x 18"
DRB24 X 18DP SG	20 1/16" x 3 1/2" x 18"
DRB27 X 18DP SG	23 1/16" x 3 1/2" x 18"
DRB30 X 18DP SG	26 1/16" x 3 1/2" x 18"
DRB33 X 18DP SG	29 1/16" x 3 1/2" x 18"
DRB36 X 18DP SG	32 1/16" x 3 1/2" x 18"
15" Deep	
DRB12 X 15DP SG	8 1/16" x 3 1/2" x 15"
DRB15 X 15DP SG	11 1/16" x 3 1/2" x 15"
DRB18 X 15DP SG	14 1/16" x 3 1/2" x 15"
DRB19 X 15DP SG	15 9/16" x 3 1/2" x 15"
DRB21 X 15DP SG	17 1/16" x 3 1/2" x 15"
DRB24 X 15DP SG	20 1/16" x 3 1/2" x 15"
DRB27 X 15DP SG	23 1/16" x 3 1/2" x 15"
DRB30 X 15DP SG	26 1/16" x 3 1/2" x 15"
DRB33 X 15DP SG	29 1/16" x 3 1/2" x 15"
DRB36 X 15DP SG	32 1/16" x 3 1/2" x 15"
12" Deep	
DRB12 X 12DP SG	8 1/16" x 3 1/2" x 12"
DRB15 X 12DP SG	11 1/16" x 3 1/2" x 12"
DRB18 X 12DP SG	14 1/16" x 3 1/2" x 12"
DRB19 X 12DP SG	15 9/16" x 3 1/2" x 12"
DRB21 X 12DP SG	17 1/16" x 3 1/2" x 12"
DRB24 X 12DP SG	20 1/16" x 3 1/2" x 12"
DRB27 X 12DP SG	23 1/16" x 3 1/2" x 12"
DRB30 X 12DP SG	26 1/16" x 3 1/2" x 12"
DRB33 X 12DP SG	29 1/16" x 3 1/2" x 12"
DRB36 X 12DP SG	32 1/16" x 3 1/2" x 12"
9" Deep	
DRB12 X 9DP SG	8 1/16" x 3 1/2" x 9"
DRB15 X 9DP SG	11 1/16" x 3 1/2" x 9"
DRB18 X 9DP SG	14 1/16" x 3 1/2" x 9"
DRB19 X 9DP SG	15 9/16" x 3 1/2" x 9"
DRB21 X 9DP SG	17 1/16" x 3 1/2" x 9"
DRB24 X 9DP SG	20 1/16" x 3 1/2" x 9"
DRB27 X 9DP SG	23 1/16" x 3 1/2" x 9"
DRB30 X 9DP SG	26 1/16" x 3 1/2" x 9"
DRB33 X 9DP SG	29 1/16" x 3 1/2" x 9"
DRB36 X 9DP SG	32 1/16" x 3 1/2" x 9"

DRAWER BODIES	
Part Name	Dimensions
Large "SG" Drawer Bodies	
21" Deep	
DRB12M X 21DP SG	7 23/32" x 7 3/4" x 21"
DRB15M X 21DP SG	10 23/32" x 7 3/4" x 21"
DRB18M X 21DP SG	13 23/32" x 7 3/4" x 21"
DRB21M X 21DP SG	16 23/32" x 7 3/4" x 21"
DRB24M X 21DP SG	19 23/32" x 7 3/4" x 21"
DRB27M X 21DP SG	22 23/32" x 7 3/4" x 21"
DRB30M X 21DP SG	25 23/32" x 7 3/4" x 21"
DRB33M X 21DP SG	28 23/32" x 7 3/4" x 21"
DRB36M X 21DP SG	31 23/32" x 7 3/4" x 21"
18" Deep	
DRB12M X 18DP SG	7 23/32" x 7 3/4" x 18"
DRB15M X 18DP SG	10 23/32" x 7 3/4" x 18"
DRB18M X 18DP SG	13 23/32" x 7 3/4" x 18"
DRB21M X 18DP SG	16 23/32" x 7 3/4" x 18"
DRB24M X 18DP SG	19 23/32" x 7 3/4" x 18"
DRB27M X 18DP SG	22 23/32" x 7 3/4" x 18"
DRB30M X 18DP SG	25 23/32" x 7 3/4" x 18"
DRB33M X 18DP SG	28 23/32" x 7 3/4" x 18"
DRB36M X 18DP SG	31 23/32" x 7 3/4" x 18"
15" Deep	
DRB12M X 15DP SG	7 23/32" x 7 3/4" x 15"
DRB15M X 15DP SG	10 23/32" x 7 3/4" x 15"
DRB18M X 15DP SG	13 23/32" x 7 3/4" x 15"
DRB21M X 15DP SG	16 23/32" x 7 3/4" x 15"
DRB24M X 15DP SG	19 23/32" x 7 3/4" x 15"
DRB27M X 15DP SG	22 23/32" x 7 3/4" x 15"
DRB30M X 15DP SG	25 23/32" x 7 3/4" x 15"
DRB33M X 15DP SG	28 23/32" x 7 3/4" x 15"
DRB36M X 15DP SG	31 23/32" x 7 3/4" x 15"
12" Deep	
DRB12M X 12DP SG	7 23/32" x 7 3/4" x 12"
DRB15M X 12DP SG	10 23/32" x 7 3/4" x 12"
DRB18M X 12DP SG	13 23/32" x 7 3/4" x 12"
DRB21M X 12DP SG	16 23/32" x 7 3/4" x 12"
DRB24M X 12DP SG	19 23/32" x 7 3/4" x 12"
DRB27M X 12DP SG	22 23/32" x 7 3/4" x 12"
DRB30M X 12DP SG	25 23/32" x 7 3/4" x 12"
DRB33M X 12DP SG	28 23/32" x 7 3/4" x 12"
DRB36M X 12DP SG	31 23/32" x 7 3/4" x 12"
9" Deep	
DRB12M X 9DP SG	7 23/32" x 7 3/4" x 9"
DRB15M X 9DP SG	10 23/32" x 7 3/4" x 9"
DRB18M X 9DP SG	13 23/32" x 7 3/4" x 9"
DRB21M X 9DP SG	16 23/32" x 7 3/4" x 9"
DRB24M X 9DP SG	19 23/32" x 7 3/4" x 9"
DRB27M X 9DP SG	22 23/32" x 7 3/4" x 9"
DRB30M X 9DP SG	25 23/32" x 7 3/4" x 9"
DRB33M X 9DP SG	28 23/32" x 7 3/4" x 9"

DRAWER BODIES	
Part Name	Dimensions
Kneehole Drawer	
DRBKDC27X 15DP DT FD	16 23/32" x 2 11/32" x 15"
DRBKDC33X 15DP DT FD	22 23/32" x 2 11/32" x 15"
DRBKDC36X 15DP DT FD	28 23/32" x 2 11/32" x 15"
Miscellaneous	
DRB6 BSDC6	4 29/32" x 22 15/16" x 4 3/4"
DRB6 SDC30	4 29/32" x 10 15/16" x 4 3/4"
DRB6 SDC30	4 29/32" x 10 15/16" x 4 3/4"
DRB6 SDC30	4 29/32" x 10 15/16" x 4 3/4"
DRB6 SDC30	4 29/32" x 10 15/16" x 4 3/4"

GLASS INSERTS

SKU	P5
12" WIDE	
DGI-1212	6 5/16" x 6 3/8"
DGI-1212 BUTT	7 3/8" x 6 3/8"
DGI-1215	6 5/16" x 9 3/8"
DGI-1215 BUTT	7 3/8" x 9 3/8"
DGI-1218	6 5/16" x 12 3/8"
DGI-1218 BUTT	7 3/8" x 12 3/8"
DGI-1224	6 5/16" x 18 3/4"
DGI-1224 BUTT	7 3/8" x 18 3/4"
DGI-1230	6 5/16" x 24 3/8"
DGI-1230 BUTT	7 3/8" x 24 3/8"
DGI-1236	6 5/16" x 30 3/8"
DGI-1236 BUTT	7 3/8" x 30 3/8"
DGI-1242	6 5/16" x 36 3/8"
DGI-1242 BUTT	7 3/8" x 36 3/8"
13" WIDE	
DGI-1312 BUTT	8 7/8" x 6 3/8"
DGI-1315 BUTT	8 7/8" x 9 3/8"
DGI-1318 BUTT	8 7/8" x 12 3/8"
DGI-1324 BUTT	8 7/8" x 18 3/4"
DGI-1330 BUTT	8 7/8" x 24 3/8"
DGI-1336 BUTT	8 7/8" x 30 3/8"
DGI-1342 BUTT	8 7/8" x 36 3/8"
15" WIDE	
DGI-1512	9 5/16" x 6 3/8"
DGI-1512 BUTT	10 3/8" x 6 3/8"
DGI-1515	9 5/16" x 9 3/8"
DGI-1515 BUTT	10 3/8" x 9 3/8"
DGI-1518	9 5/16" x 12 3/8"
DGI-1518 BUTT	10 3/8" x 12 3/8"
DGI-1524	9 5/16" x 18 3/4"
DGI-1524 BUTT	10 3/8" x 18 3/4"
DGI-1527 BUTT	10 3/8" x 21 3/8"
DGI-1530	9 5/16" x 24 3/8"
DGI-1530 BUTT	10 3/8" x 24 3/8"
DGI-1536	9 5/16" x 30 3/8"
DGI-1536 BUTT	10 3/8" x 30 3/8"
DGI-1542	9 5/16" x 36 3/8"
DGI-1542 BUTT	10 3/8" x 36 3/8"
16" WIDE	
DGI-1615 BUTT	11 7/8" x 9 3/8"
DGI-1618 BUTT	11 7/8" x 12 3/8"
DGI-1624 BUTT	11 7/8" x 18 3/4"
DGI-1630 BUTT	11 7/8" x 24 3/8"
DGI-1636 BUTT	11 7/8" x 30 3/8"
DGI-1642 BUTT	11 7/8" x 36 3/8"

GLASS INSERTS

SKU	P5
18" WIDE	
DGI-1812	12 5/16" x 6 3/8"
DGI-1812 BUTT	13 3/8" x 6 3/8"
DGI-1815	12 5/16" x 9 3/8"
DGI-1815 BUTT	13 3/8" x 9 3/8"
DGI-1818	12 5/16" x 12 3/8"
DGI-1818 BUTT	13 3/8" x 12 3/8"
DGI-1824	12 5/16" x 18 3/4"
DGI-1824 BUTT	13 3/8" x 18 3/4"
DGI-1830	12 5/16" x 24 3/8"
DGI-1830 BUTT	13 3/8" x 24 3/8"
DGI-1836	12 5/16" x 30 3/8"
DGI-1836 BUTT	13 3/8" x 30 3/8"
DGI-1842	12 5/16" x 36 3/8"
DGI-1842 BUTT	13 3/8" x 36 3/8"
18 1/2" WIDE	
DGI-18.512 BUTT	13 13/16" x 6 3/8"
DGI-18.515 BUTT	13 13/16" x 9 3/8"
DGI-18.518 BUTT	13 13/16" x 12 3/8"
DGI-18.524 BUTT	13 13/16" x 18 3/4"
19" WIDE	
DGI-1912	13 13/16" x 6 3/8"
DGI-1915	13 13/16" x 9 3/8"
DGI-1918	13 13/16" x 12 3/8"
DGI-1924	13 13/16" x 18 3/4"
DGI-1930	13 13/16" x 24 3/8"
DGI-1936	13 13/16" x 30 3/8"
DGI-1942	13 13/16" x 36 3/8"
21" WIDE	
DGI-2112	15 5/16" x 6 3/8"
DGI-2115	15 5/16" x 9 3/8"
DGI-2118	15 5/16" x 12 3/8"
DGI-2124	15 5/16" x 18 3/4"
DGI-2130	15 5/16" x 24 3/8"
DGI-2136	15 5/16" x 30 3/8"
DGI-2142	15 5/16" x 36 3/8"

MISCELLANEOUS PARTS & ACCESSORIES

HINGES	
Part Name	Description
HINGE 170 FRAMED	Door-to-frame hinge for BER, BSS, CAR or WER cabinet
HINGE ER	Hinge for BER, BSS, CAR or WER24 cabinet
HINGE KIT TRI-VIEW	Hinge Kit for Tri-View Mirror (3 Pulls & 3 Hinges)
HINGE TILT OUT 45	Hinge for Factory Installed Tilt-Out Tray
HINGE SOL 6WY 45	6-Way Adjustable Partial Overlay (POL) door hinge
HINGE FACEMOUNT 45	Hinge for facemount oven applications
HINGE CCFACEMOUNT 45	Hinge with CushionClose for facemount oven applications
HINGE SOL CC6WAY 45	Hinge with 6-Way Adjustment and CushionClose for Barren and Carson door styles
HINGE SPACER SHIM	Spaces Shim installed between the Hinge and Face Frame, adds inward left/right adjustment (for use on all hinges as needed)

CLIPS / BRACKETS	
Part Name	Description
BRACKET CHAN B	Back bracket for side-mounted channels
BRACKET GLIDE WB BOT	Bottom bracket for Wastebasket cabinets
BRACKET GL B DROTUNI	Back bracket for all OVD cabinets and KDC cabinets
BRACKET RED DP REAR	Back bracket for reduced depth Side-Mounted Glide
CLIP DDF	Drawer front clip
CLIP MIRROR MCM FOL	Clip for MCM1530 Full Overlay Mirror door
CLIP MIRROR MCM SOL	Clip for MCM1530 Partial Overlay Mirror door
CLIP MIRROR TRIVIEW	Clip for TV3030/TV3630 Tri-View Mirror door
CLIP REAR SHELF	Middle shelf rest for 30" or wider Wall cabinet shelf
CLIP SHELF NP SPIN	Locking shelf clip for NP Spin Units (Base 4 required, Wall 5 required)
DRB WB MOUNT CLIP L	Left drawer release clip for Wastebasket Cabinets
DRB WB MOUNT CLIP R	Right drawer release clip for Wastebasket Cabinets
DRB MOUNT CLIP L FD	Left drawer release clip for Left Full-Extension Hidden Glide
DRB MOUNT CLIP R FD	Right drawer release clip for Left Full-Extension Hidden Glide
MOUNT BRACKET GA SS1	Bracket for Side-Mounted Channels
SHELF SUPT ADJ BASE	Middle shelf rest for 27" or wider Base cabinet shelf
SPACER GL BD FRT FG	Left/Right front drawer clip for bottom drawer on VDB__34H & DB__cabinets
SPACER GL KDC FRT FG	Left/Right front drawer clip for KDC

GLIDES/TRACKS/CHANNELS FOR 24" DEEP BASE/DESK OR SLIDING SHELF	
Part Name	Description
CHANNEL 21L	Left channel for 24" deep base/desk drawer and sliding shelf
CHANNEL 21R	Right channel for 24" deep base/desk drawer and sliding shelf
CHANNEL SS1 L	Left channel for Sliding Shelf
CHANNEL SS1R	Right channel for Sliding Shelf
GLIDE WB FAL24	Left Full-Access Glide for Wastebasket cabinets
GLIDE WB FAR24	Right Full-Access Glide for Wastebasket cabinets
TRACK GA 21L	Left track for 24" deep base/desk drawer and sliding shelf
TRACK GA 21R	Right track for 24" deep base/desk drawer and sliding shelf

GLIDES/TRACKS/CHANNELS FOR 21" DEEP VANITY/DESK	
Part Name	Description
CHANNEL V L	Left channel for 21" deep Vanity/Desk
CHANNEL V R	Right channel for 21" deep Vanity/Desk
TRACK V L	Left track for 21" deep Vanity/Desk
TRACK V R	Right track for 21" deep Vanity/Desk

TRACKS/CHANNELS FOR 18" DEEP VANITY OR KNEEHOLE DRAWER CABINET	
Part Name	Description
CHANNEL V 18L	Left channel for 18" deep Vanity or for Kneehole Drawer Cabinet
CHANNEL V 18R	Right channel for 18" deep Vanity or for Kneehole Drawer Cabinet
TRACK GA 16L	Left track for 18" deep Vanity or for Kneehole Drawer Cabinet
TRACK GA 16R	Right track for 18" deep Vanity or for Kneehole Drawer Cabinet

WHITE PLASTIC SPIN SHELVES AND PARTS	
Part Name	Description
BSSCAR HUB RAS	With rollers, fits into shelf for pole attachment
BSSCWSCAR BRKT RAS	Top and bottom mounting brackets
BSSCWSCAR COLLAR ASM	Locking adjustable shelf collar for top shelf
BSSCWSCAR T-SHAFT RA	Metal post on which shelves spin (1 required)
BSS33 SHELF RAS	White spin shelf for BSS33/BSS3336/BSS3633 (2 required)
BSS36 SHELF RAS	White spin shelf for BSS36 (2 required)
BSS33 UNIT RAS	Complete spin unit for BSS33
BSS36 UNIT RAS	Complete spin unit for BSS36
CAR SHELF RAS	White spin shelf for CAR36 (2 required)
CAR36 UNIT RAS	Complete spin unit for CAR36
CBS SHELF RAS	White spin shelf for CBS36 (2 required)
CWS HUB RAS	With rollers, fits into shelf for pole attachment
CWS SHELF RAS	White spin shelf for CWS2430 (2 required)
CWS UNIT RAS	Complete plastic spin unit for CWS2430

MISCELLANEOUS PARTS & ACCESSORIES

SCREWS

Part Name	Description
SCREW BOLT EXT RD FG	Bolt for RD extender
SCREW CHANNEL	Channel installation screw (1 per channel)
SCREW DDF 1 1/4"	Drawer front installation screw
SCREW DDF SDC	SDC drawer front installation screw (1 per drawer body)
SCREW EXTENDER RD	Screw for RD extender (1 per extender)
SCREW GLIDE FD	Screw that attaches glide brackets to front face frame of cabinet (qty 1 per glide)
SCREW HINGE/DR	Hinge-to-door screw (2 per door)
SCREW HINGE/FR	Hinge-to-frame screw (1 per hinge)
SCREW NUT EXT RD FG	Nut for RD extender
SCREW TRACK	Track installation screw (2 per track)

MISCELLANEOUS SHELVING

Part Name	Description
BS18 SHELF 1PK	Single Shelf for BS18__
BS18 SHELF 4PK	4 Pack Shelf Kit for BS18__
BS24 SHELF 1PK	Single Shelf for BS24__
BS24 SHELF 4PK	4 Pack Shelf Kit for BS24__
BS30 SHELF 1PK	Single Shelf for BS30__
BS30 SHELF 4PK	4 Pack Shelf Kit for BS30__
BS36 SHELF 1PK	Single Shelf for BS36__
BS36 SHELF 4PK	4 Pack Shelf Kit for BS36__
WMSC3012 SHELF	Microwave shelf for WMSC301236

MISCELLANEOUS

Part Name	Description
BASE CORNER BLOCK WD	Plywood corner block
BUMPER CLEAR	Door bumper (Strip of 4 bumpers)
BUMPER CLEAR 55	Door bumper (Strip of 55 bumpers)
BUMPER CLEAR DWR	Drawer bumper (Strip of 4 bumpers)
BWBB15 FH SOL KIT	Wastebasket kit for POL BWBB15 FH
BWBB15 SOL KIT	Wastebasket kit for POL BWBB15
BWBB15-2 SOL KIT	Wastebasket kit for POL BWBB15-2
BWBB18 FH SOL KIT	Wastebasket kit for POL BWBB18 FH
BWBB18-2 SOL KIT	Wastebasket kit for POL BWBB18-2
BWBB21-2 FH SOL KIT	Wastebasket kit for POL BWBB21-2 FH
BWBB21-2 SOL KIT	Wastebasket kit for POL BWBB21-2
CORNER BRACKET	Plastic corner block
COVER CAP 10MM TAN	Tan cover cap for cabinet backs
COVER CAP 10MM WHT	White cover cap for cabinet backs
DWBB1824 SOL KIT	Wastebasket kit for POL DWBB1824
DFDC FILE UNIT 21	File unit for DFDC1821
DFDC FILE UNIT 24	File unit for DFDC1824
FRAME SPACER BPP9	Unit stabilizer and frame spacer for BPP9 and BTDP9
KNOB SDC	Wooden knob for SDC/BSDC6
LATCH TILT OUT TRAY	Latch for Factory Installed Tilt-Out Tray
MAG CATCH TV BLK	Black magnetic catch for TV3030/TV3630 Tri-View Mirror
MAG CATCH TV WHT	White magnetic catch for TV3030/TV3630 Tri-View Mirror
MC SHELF HDW	Package of 4 shelf clips for MC/MCM cabinet
MIRROR TV3030	Mirror for TV3030
MIRROR TV3630	Mirror for TV3630
PULL TRIVIEW	Chrome pull for TV3030/TV3630 Tri-View Mirror
ROT PROTECTOR	End plastic protector on Sliding Shelves
TRAY ST TILT OUT 11	Stainless Tray ONLY for Factory Installed Tilt-Out
TRAY ST TILT OUT 14	Stainless Tray ONLY for Factory Installed Tilt-Out
TRAY ST TILT OUT 24	Stainless Tray ONLY for Factory Installed Tilt-Out
WASTEBASKET 27QT SLV	Silver 27 QT Wastebasket
WASTEBASKET 35QT SLV	Silver 35 QT Wastebasket
WASTEBASKET 50QT SLV	Silver 50 QT Wastebasket
WOOD SPIN HOLE PLUG	Plug for Wood Spin shelf
WTH DOOR STAY	One Door Stay for Wall Top Hinge cabinet
WTH DR STAY DR BRK	One Door Bracket for WTH DOOR STAY
WTH DR STAY FR BRK	One Frame bracket for WTH DOOR STAY
WTH HEX KEY BAG	One Hex Key for WTH DOOR STAY

REPLACEMENT PARTS FOR 24" DEEP BASE AND DESK DRAWERS

WITH SIDE-MOUNTED GLIDES

Part Name	Description
DRB__X 21DP SG	Standard small drawer body
DRB__M X 21DP SG	Standard large drawer body
CHANNEL 21L	Left channel for drawer - attaches to cabinet (qty 1 per drawer)
CHANNEL 21R	Right channel for drawer - attaches to cabinet (qty 1 per drawer)
TRACK GA 21L	Left track for drawer - attaches to drawer body (qty 1 per drawer)
TRACK GA 21R	Right track for drawer - attaches to drawer body (qty 1 per drawer)
BRACKET CHAN B	Back bracket for channel - attaches channel to cabinet (qty 2 per drawer)
SCREW CHANNEL	Channel screw - attaches channel to face frame (qty 1 per drawer)
SCREW TRACK	Track screw - attaches track to drawer body (qty 2 per drawer)

REPLACEMENT PARTS FOR 18" DEEP VANITY/KNEEHOLE DRAWERS

WITH SIDE-MOUNTED GLIDES

Part Name	Description
DRB__X 15DP SG	Small drawer body
DRB__M X 15DP SG	Large drawer body
DRBKDC_X 15DP DT SG	Kneehole drawer body
CHANNEL V 18L	Left channel for drawer - attaches to cabinet (qty 1 per drawer)
CHANNEL V 18R	Right channel for drawer - attaches to cabinet (qty 1 per drawer)
TRACK GA 16L	Left track for drawer - attaches to drawer body (qty 1 per drawer)
TRACK GA 16R	Right track for drawer - attaches to drawer body (qty 1 per drawer)
BRACKET CHAN B	Back bracket for channel - attaches channel to cabinet (qty 2 per drawer)
SCREW CHANNEL	Channel screw - attaches channel to face frame (qty 1 per drawer)
SPACER GL BD FRT FG	Drawer clip for bottom drawer on VDB__34H cabinets only (qty 2 per drawer)

REPLACEMENT PARTS FOR WASTEBASKET CABINETS

WITH FULL-EXTENSION GLIDES

Part Name	Description
BWBB__ _OL KIT	Base Bottom Mounted Wastebasket Kit (includes all installation items)
DWBB18__ _OL KIT	Desk Bottom Mounted Wastebasket Kit (includes all installation items)
GLIDE WB FAR24	Right Heavy Duty Glide for BWBB__, DWBB1824 (qty 1 per pullout)
GLIDE WB FAL24	Left Heavy Duty Glide for BWBB__, DWBB1824 (qty 1 per pullout)
SCREW GLIDE FD	Screw that attaches glide brackets to front face frame of cabinet (qty 1 per glide)
SCREW TRACK	Screw that attaches the door to the drawer box using "L" brackets (qty 2 per bracket)
SCREW BRACKET DDF	Attaches "L" bracket to drawer front (qty 2 per bracket)
SCREW BRACKET DRB	Attaches "L" bracket to drawer box (qty 2 per bracket)
BRACKET GLIDE WB BOT	Heavy Duty Glide Back Bracket - mounts to cabinet floor (qty 1 per glide)
DDF BRACKET FOL	Metal "L" bracket for FOL door attachment (qty 4 per door)
DDF BRACKET CCAP FOL	Plastic "L" bracket cover cap for DDF BRACKET FOL (qty 1 per bracket)
DDF BRACKET SOL	Metal "L" bracket for POL door attachment (qty 4 per door)
DDF BRACKET CCAP SOL	Plastic "L" bracket cover cap for DDF BRACKET SOL (qty 1 per bracket)
WASTEBASKET 27QT SLV	Silver 27 QT Wastebasket
WASTEBASKET 35QT SLV	Silver 35 QT Wastebasket
WASTEBASKET 50QT SLV	Silver 50 QT Wastebasket

REPLACEMENT PARTS FOR 21" DEEP VANITY AND DESK DRAWERS

WITH SIDE-MOUNTED GLIDES

Part Name	Description
DRB__X 18DP SG	Small drawer body
DRB__M X 18DP SG	Large drawer body
CHANNEL V L	Left channel for drawer - attaches to cabinet (qty 1 per drawer)
CHANNEL V R	Right channel for drawer - attaches to cabinet (qty 1 per drawer)
TRACK V L	Left track for drawer - attaches to drawer body (qty 1 per drawer)
TRACK V R	Right track for drawer - attaches to drawer body (qty 1 per drawer)
BRACKET CHAN B	Back bracket for channel - attaches channel to cabinet (qty 2 per drawer)
SCREW CHANNEL	Channel screw - attaches channel to face frame (qty 1 per drawer)
SCREW TRACK	Track screw - attaches track to drawer body (qty 2 per drawer)

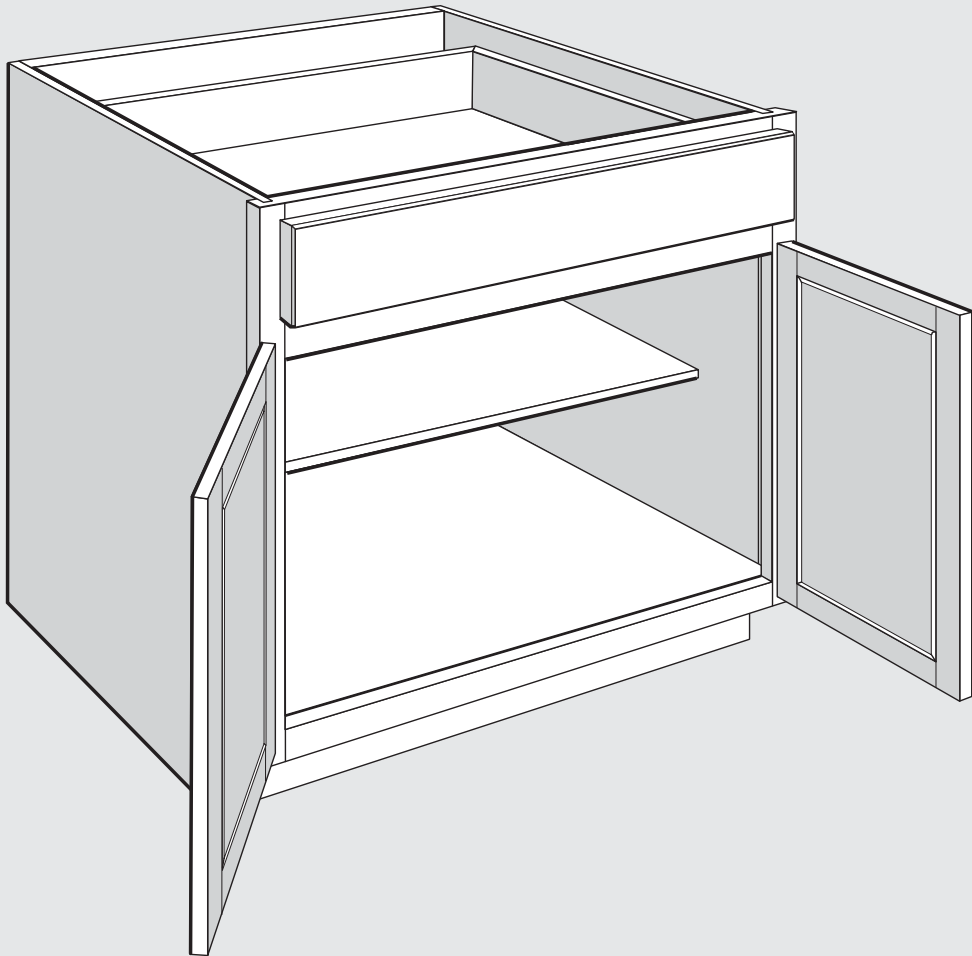
REPLACEMENT PARTS FOR SLIDING SHELVES, BASE POT & PAN ORGANIZERS AND ROLL-OUT TRAY DIVIDER KITS

WITH FULL DEPTH WITH SIDE-MOUNTED GLIDES

Part Name	Description
SSK_	Sliding Shelf Kit
CHANNEL SS1L	Left channel for sliding shelf - attaches to cabinet (qty 1 per drawer)
CHANNEL SS1R	Right channel for sliding shelf - attaches to cabinet (qty 1 per drawer)
TRACK GA 21L	Left track for sliding shelf - attaches to drawer body (qty 1 per drawer)
TRACK GA 21R	Right track for sliding shelf - attaches to drawer body (qty 1 per drawer)
BRACKET CHAN B	Back bracket for channel - attaches channel to cabinet (qty 2 per drawer)
SCREW CHANNEL	Channel screw - attaches channel to face frame (qty 1 per sliding shelf)
SCREW TRACK	Track screw - attaches track to drawer body (qty 2 per drawer)

Notes

INDEX



	Code	Page
1/2" Panel	WFP__	141
3-Sided Stock	S3S__	121
4-Sided Stock	S4S__	121
A		
Accent Turned Foot	ATF	132
Adjustable Shelf Kit	S/SK__	116
Angle Crown Molding	ACM8	118
Angled Corbel	AS12__	129
Angled Outside Corner Molding	AOSC8	122
Aria Foot	ARDF	131
Aria Leg	ARDL	131
Asymmetrical Base Easy Reach	BER__	69
Asymmetrical Base Super Susan with Wood Spin Units	BSS__ WD	70
B		
Base Bookshelf	BS2434	89
Base Cabinet, 1 Factory Installed Wastebasket	BWBB15	60
Base Cabinet, 2 Factory Installed Wastebaskets	BWBB__ -2	60
Base Cabinet Construction	-	17
Base Cabinet Decorator Matching Doors	DMDB	144
Base Cabinet Dimensions	-	18
Base Cabinet, Standard with 2 Butt Doors	B__	61
Base Cabinet, Standard with Center Stile	B__	61
Base Cabinet, Standard with One Door	B__	60
Base Cabinet, with 2 Butt Doors and Sliding Shelves	B__ SS__	61
Base Cabinet, with Center Stile and Sliding Shelves	B__ SS__	62
Base Cabinet, with One Door and Sliding Shelves	B__ SS__	60
Base Column Filler	B_C__	148
Base Column Filler	BPC32734	148
Base Corner Filler	BCF27	147
Base Easy Reach	BER__	69
Base End Angle	BEA__ FH	78
Base Locking Shelf Rest	-	21
Base Microwave Cabinet	BMC__	79
Base Oven Cabinet Universal	BOCU__	79
Base Spice Drawer Cabinet	BSDC6	78
Base Square Foot	BSQF	132
Base Square Leg	BSQL	132
Base Super Susan with Wood Spin Units	BSS__ WD	70
Base Tapered Leg	BTPL	132
Base Toe Kick	BTK8	149
Base Turned Leg	BTL	132
Base Utensil Storage Pull-Out	BPPUCC__ CC	65
Base Wine Rack Cabinet	BWRC6	78
Batten Molding	BM8	122
Batten Molding - Builder	BM8 BLD	123
Blind Corner Base Installation Chart	-	73
Blind Corner Base	BLB__	72
Blind Corner Closure	BLC__	57
Blind Corner Closure	BLC1515	83
Blind Peninsula Corner Base	PBC__	67
Blind Wall Cabinet	BLW__	44
Blind Wall Cabinet Dimensions	-	45
Blind Wall Cabinet Installation Chart	-	45
Box Range Hood, Artisan	RH__ A	51

	Code	Page
Box Range Hood, Modern Box	RH__ MB	51
Box Range Hood, Shiplap Box	RH__ SB	51
Box Range Hood, Sloped	RH__ SL	51
Built-In Microwave Cabinet	BBMC__	80

C

Cabinet Angle Molding	CAM8	122
Cabinet Care	-	14
Cabinet Front Only Option	CFO	30
Cabinet Specifications	-	13
Cabinet Tray Divider	TD3	82
Ceiling Height Requirements	-	24
Certification	-	12
Chair Rail Molding	CR8	119
Chantilly Decorative Foot	CDF	133
Chantilly Decorative Leg	CDL	133
Chantilly Furniture Leg	CFL	133
Classic Baseboard Molding	CLBM8	120
Classic Trim Molding	CLTM8	120
Cleaning Caddy Pullout Kit	CCPOK	81
Cleat	HWC__	150
Construction Option Examples	-	28
Contact Information	-	2
Contemporary Trim Molding	CTM8	118
Corner Base Carousel	CAR	71
Corner Base with Plastic Spin Shelves	CBS36	71
Corner Base with Wood Spin Units	CBS36 WD	71
Corner Sink Base	CSB36	74
Corner Sink Front	CSF__	77
Corner Wall Cabinets	CW__	46
Cover Caps	COVER CAP	150
Crown Molding - Builder	CM8 BLD	123
Crown Molding	CM8	118
Curved Corbel	CS12__	129
Cutlery Divider Kit	CDAK__	80

D

Decorative Cove Molding	DCVM8	118
Decorative Glass Clips	CLIP DGI __	37
Decorative Hardware	-	153
Decorative Inside Corner Molding	ICM8	122
Decorative Island Panel Kit	DIPK__34 _	142
Decorative Island Side	DIS__34 _	142
Decorative Mantel Range Hood	WRH__ DM	50
Decorative Trim Molding	DCTM8	118
Decorator Matching Doors	DMDBEA12	144
Deep Sink/Range Base Cabinet	DSB__	74
Delivery Services	-	4
Desk Cabinet Decorator Matching Doors	DMDD__	144
Desk Cabinet Dimensions	-	19
Desk Cabinet with Wastebasket Pull-Out, 21" Deep	DWBB1821	86
Desk Cabinet with Wastebasket Pull-Out, 24" Deep	DWBB1824	86
Desk Door Cabinet, 21" Deep	DDO__21	86
Desk Door Cabinet, 24" Deep	DDO__24	86
Desk Drawer Cabinet, 21" Deep	DDR__21	87
Desk Drawer Cabinet, 24" Deep	DDR__24	87

	Code	Page
Desk End Panel	DEP	90, 114, 138
Desk File Pull-Out Cabinet, 21" Deep	DFDC1821	87
Desk File Pull-Out Cabinet, 24" Deep	DFDC1824	87
Dishwasher Return	DWR3	138
Door Style Collections	-	7
Door Style Collections, Elite	-	8
Double Oven Cabinet, No Drawer	OVD__ BUTT NDWR	101
Drawer Base Cabinet, 3 Drawers	DB__	66
Drawer Base Cabinet, 4 Drawers	DB__ 4DWR	66
Drawer Base Cabinet Dimensions		19
Dummy Drawer Front Fastener	DDF FASTENER	150
E		
Era Foot	ERDF	131
Era Leg	ERDL	131
F		
Filler, Plain Box	WPB__	52
Finished Shelf	FS__	57
Finishing System Specifications	-	14
Floating Shelf	FLSH__	57, 90
Fluted Beaded Filler Extension	FBF E3__	147
Fluted Beaded Filler	FBF__	147
Full Depth Shelf Option	FDS	32
Full-Height Base Cabinet with Tray Divider and Shelf	TB9 TDS	63
Full-Height Base Cabinet, 1 Factory Installed Wastebasket	BWBB15 FH	64
Full-Height Base Cabinet, 2 Butt Doors	B__ FH	64
Full-Height Base Cabinet, 2 Factory Installed Wastebaskets	BWBB21-2 FH	64
Full-Height Base Cabinet, One Door	TB9/B__ FH	63
Full-Height Base with 2 Butt Doors and Sliding Shelves	B__ FH SS__	65
Full-Height Base with One Door and Sliding Shelves	B__ FH SS__	64
Full-Height Blind Corner Base	BLB__ FH	72
Full-Height Peninsula Base	PB__ FH	67
Furniture Drawer Cabinet	FD__	65, 87, 114
G		
Glass Insert	DGI__	36
Glass Shelf Kit	GSK__	58
Grooved End Panel	_EP__ GROOVED	140
H		
Hardware Specifications		21
I		
Increased Depth Option	ID	30
Inset Light Rail Molding	ILR8	120
Inside Corner Molding - Builder	QM8 BLD	123
Inside Corner Molding	QM8	122
Installation Guidelines	-	22
Inverted Frame Option	IF	30
K		
Kneehole Drawer Cabinet	KDC__	88, 113

	Code	Page
L		
Large Classic Corbel	CLC212	129
Large Cove Molding	LCVM8	118
Large Crown Molding - Builder	LCM8 BLD	123
Large Crown Molding	LCM8	118
Large Narrow Cove Corbel	CC212	130
Large Prairie Corbel	PC312	130
Library Light Rail Molding	LBM8	119
M		
Matching Interior Option	MI	32
Medicine Cabinet	MC/MCM__	113
Medium Cove Corbel	CC49	130
Medium Narrow Cove Corbel	CC29	130
Medium Prairie Corbel	PC49	130
Metal Cove Corbel	METAL COVE 212__	130
Metal Emerson Corbel	METAL EMERSON 27__	131
Metal Shelf Rest	-	21
Microwave Wall	WMC__	43
Mirror Molding	MM8	119
Molding & Decorative Accents	-	117
Mullion Frame Door Profiles	MFD	35
Mullion Shelf Rest		21
O		
Ogee Molding	OGE8	119
Ogee Pilaster Molding	OGP8	120
Open Frame Door Profiles	OFD	35
Order Replacement Procedure	-	3
Outside Corner Molding - Builder	OCM8 BLD	123
Outside Corner Molding	OTCM8	122
Oven Cabinet, Single	OVS__	95
Overlay Dimensions		25
P		
Panels, Fillers & Installation Items	-	137
Parker Decorative Foot	PDF	133
Parker Decorative	PDL	133
Parker Furniture Leg	PFL	133
Pedestal Drawer Cabinet	PD__	65
Peninsula Base Cabinet	PB__	66
Plain Box Filler	WPB__	148
Plywood Panel	WP__	141
Putty Stick	PUTTY STICK	152
Q		
Quarter Round Molding	QR8	122
R		
Range Hood Blower	RHVENT__	53
Range Hood Chimney, Plain	RHC__	52
Range Hood, Classic Tapered	RH__CT	50
Range Hood Liner, Straight Valance	RHLINER__ S	55
Range Hood Liner, Tapered	RHLINER__	55

	Code	Page
Range Hood, Modern Box	RH__ MB	51
Range Hood, Raised Panel	RH__ RP	52
Range Hood, Shiplap Box	RH__ SB	51
Range Hood, Sloped	RH__ SLWM	51
Range Hood, Straight Valance	RH__ SV	52
Recessed Toe Kick Option	RTK	31
Reduced Depth Option	RD	29
Refrigerator Return Panel	RR__	138
Replacement Policy	-	5
S		
Screws, Installation	SCREW	150
Scribe Molding - Builder	SM8 BLD	123
Scribe Molding	SM8	122
Scribe Molding	SM10	122
Service Policy	-	3
Shaker Accent Molding	SAM	121
Shaker Chair Rail Molding	SQCR8	119
Shaker Insert Molding	SIM8	119
Shaker Mirror Molding	SMM8	119
Shelf, Adjustable	S/SK__	116
Shelf End Wall, Round Top and Bottom	SEW__	49
Shelf End Wall, Square Top and Bottom	SEW__ SQTB	49
Shelf End Wall, Square Top and Round Bottom	SEW__ SQT	49
Shelf, Floating	FLSH__	57, 90
Shelf Rests	SHELF REST	149
Shoe Molding - Builder	SHM8 BLD	123
Shoe Molding	SHM8__	122
Side-Mounted Drawer Glides	-	21
Single Bead Accent Molding	SBAM8	121
Single Bead Insert Molding	SBIM8	119
Single Bead Molding	SBM8	121
Single Oven Cabinet, with 2 Butt Doors, 2 Large Drawers	OVS__ BUTT 2DDWR	98
Single Oven Cabinet, with 2 Butt Doors, 3 Drawers	OVS__ BUTT 3DWR	99
Single Oven Cabinet, with 2 Butt Doors, 4 Drawers	OVS__ BUTT 4DWR	100
Single Oven Cabinet, with 4 Butt Doors, 1 Drawer	OVS__ BUTT 1DWR	96
Single Oven Cabinet, with 4 Butt Doors, 2 Drawers	OVS__ BUTT 2DWR	97
Sink Base Door Storage Unit	SBDSU__	82
Sink Base Mat	SBMAT__	81
Sink Base Multi-Storage Cabinet	SBMSC__ BUTT STO	78
Sink Base Multi-Storage Shelf	SBMSS	82
Sink Base with One Factory Installed Tilt-Out Tray(s)	SB__ STO	76
Sink Base with Sink Base Mat	SB__ BUTT STO SBMAT	76
Sink Base with Two Factory Installed Tilt-Out Tray(s)	SB__ STO	76
Sink/Cooktop Base Cabinet	SB__	75
Sink/Cooktop Front	SF__	77
Sink/Vanity Front Floor	FL__	139
Sink/Vanity Front Return	SFR	139
Sliding Shelf 4-Pack Kit	USS__4K	103, 116
Sliding Shelf Kit	SSK__	81, 89, 103, 116
Small Classic Corbel	CLC29	129
Small Cove Molding	SCVM8	118
Small Prairie Corbel	PC36	130
Small Single Bead Molding	SSBM8	121
Small Traditional Light Rail Molding	STLR8	120
Soffit Crown Molding	SCM8	118
Specialty Door Options	-	34

	Code	Page
Spice Drawer Cabinet	SDC__	48
Spice Drawer Insert Kit	SDIAK__	80
Spice Rack Kit	SRK__	56
Split Post	SPLT POST80 P	134
Spray Stain	SPRAY STAIN	151
Square Inset Light Rail Molding	SQILR8	120
Stain	STAIN	151
Standard Cabinet Specifications	-	11
Starter Molding	STRM8	121
Stem Glass Holder	SGH36U	56
Storage Cube	SC__	47, 88
Straight Trim Molding	UM8	122

T

Tall Bookshelves	BS__	88
Tall Cabinet Decorator Matching Doors	DMDT__	145
Tall Cabinet Dimensions	-	20
Tall Cabinets	-	91
Tall Column Filler	T_C__	148
Tapered Foot	TPF	132
Tilt-Out Tray Kit	STO TRAY__	83, 114
Touch Up Kit	TOUCHUP KIT	151
Touchup Marker	TU MARKER	152
Traditional Classic Crown Molding	TCCM8	118
Traditional Split Block	SPLT BLOCK26	134
Tri-View Mirror	TV__	113

U

Universal Filler Extension	UF E3__	146
Universal Filler	UF__	146
Utility Cabinet, 12" Deep	UT__ 12 X __	92
Utility Cabinet, 12" Deep, with Adjustable Shelves	UT__ 12 X __ AS	93
Utility Cabinet, 24" Deep	UT__ 24 X __	92
Utility Cabinet, 24" Deep, with Adjustable Shelves	UT__ 24 X __ AS	93
Utility Cabinet, 24" Deep, with Sliding Shelves	UT__ 24 X __ 4SSK	94

V

Valances	V__	127
Valet Cabinet	VC2436 BUTT	112
Vanity Base, One Door	VB__	106
Vanity Base, Two Butt Doors	VB__ BUTT	106
Vanity Base with Full-Height Door, 34 1/2" High	VB__ 34H FH	106
Vanity Cabinet Decorator Matching Doors	DMDV	145
Vanity Cabinet Dimensions	-	19
Vanity Cabinets	-	105
Vanity Combo Sink Base, 31 1/8" High	VSDB__	110
Vanity Combo Sink Base, 34 1/2" High	VSDB3934H BK	111
Vanity Drawer Base, 31 1/8" High	VDB__	107
Vanity Drawer Base, 34 1/2" High	VDB__ 34H	107
Vanity Linen Cabinet	VLC__	115
Vanity Linen Cabinet, with Adjustable Shelves	VLC__ AS	115
Vanity Linen Cabinet, with Sliding Shelves	VLC__ 4SSK	115
Vanity Sink Base, 34 1/2" High	VSDB/VAN__ 34H	107
Void Door Option	VDO__	33
Void Top Drawer Option	VTD	33

W

Wall Bookshelves	BS__	89
Wall Cabinet Construction	-	16
Wall Cabinet Decorator Matching Doors	DMDW__	145
Wall Cabinet Dimensions	-	18
Wall Cabinet, Standard	W__	40
Wall Cabinet with Spice Rack	W__ SR	42
Wall Column Filler	W_C__	148
Wall Easy Reach	WER__	47
Wall End Angle Cabinet	WEA12__	47
Wall Microwave Cabinet, with Shelf	WMSC__	43
Wall Range Hood, Classic Tapered	WRH__ CT	50
Wall Range Hood, Decorative Mantle	WRH__ DM	50
Wall Range Hood, Raised Panel	WRH__ RP	50
Wall Range Hood, Straight Valance	WRH__ SV	50
Wall Top Hinge Cabinet	WTH__	42
Warranty	-	6
Wide Batten Molding	WBM8	122
Wine Rack Cabinet	WRC__	48
Wine Rack	WR36	56
Wine Storage Cabinet	WSC__	48
Wood End Panel	_EP__	140
Wood Species & Materials Specification	-	15
Wood Tall End Panel	WTEP__	140